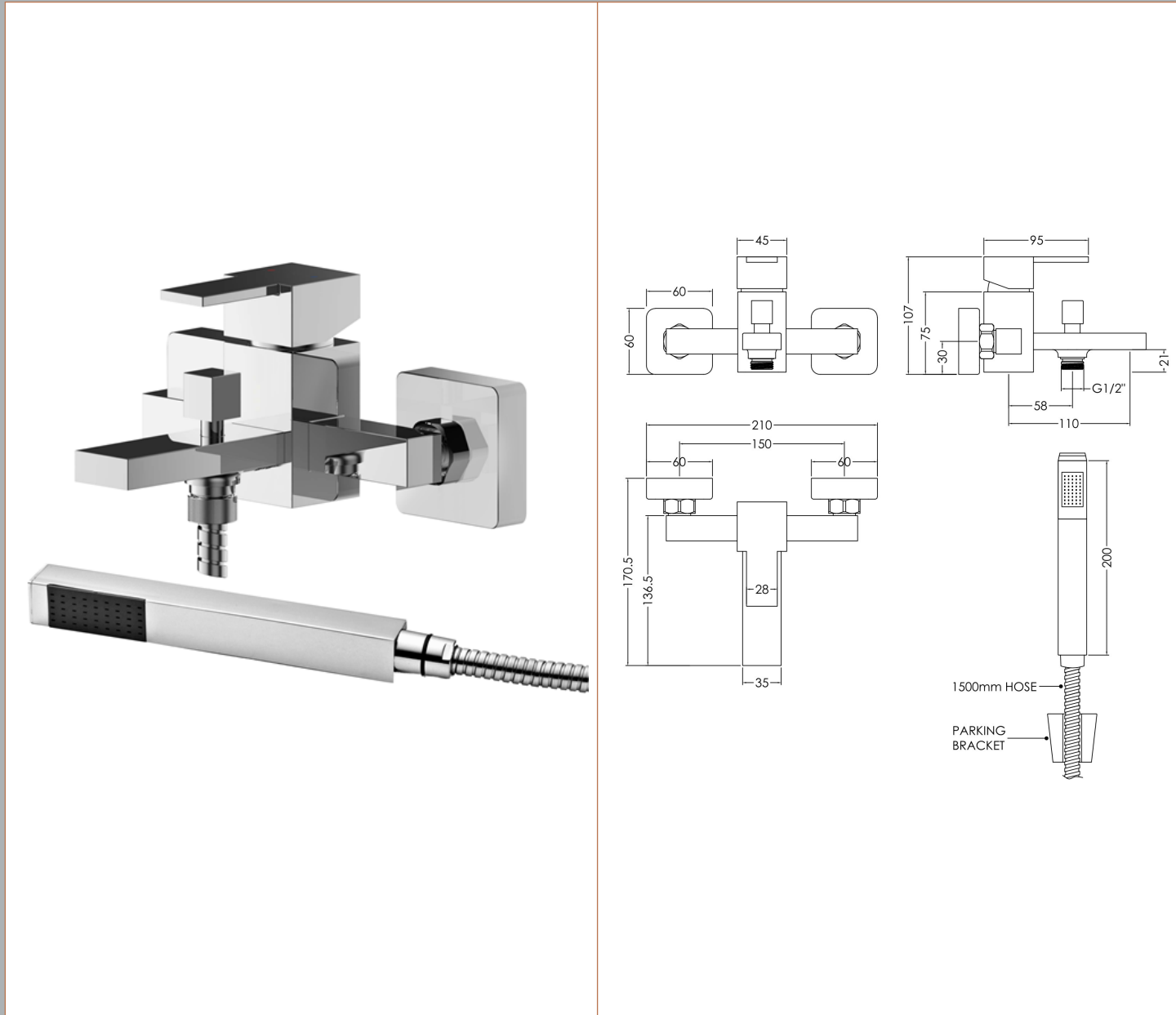


Sales Code: SAN316

Description: Sanford W/M Sl Bsm With Kit



Product Dimensions

Height (mm):	105
Width (mm):	180
Depth (mm):	136
Length (mm):	
Nett Weight (kg):	2.05

Packaging Dimensions

Height (mm):	85
Width (mm):	220
Depth (mm):	330
Gross Weight (kg):	2.05

Packaging Data

Box Colour:	White Cardboard Box
Box Qty:	0
Label Size:	0 x 0
Label Colour:	White Label
Label Qty:	0

Outer Box Dimensions (If Applicable)

Height (mm):	565
Width (mm):	525
Depth (mm):	350
Length (mm):	
Gross Weight (kg):	
Barcode:	5056211898030

Product Details

Country of Origin:	China
Fitting Instruction:	Yes
Product Material:	Brass/ABS
Control Type:	Manual
Waste Included:	Waste Not Included
Waste Type:	Not Applicable
WRAS Approval: No	Approval No: N/A
Valve/Cartridge Type:	1/4 Turn Ceramic Disc
Colour/Finish:	Chrome
Mount Type:	Wall
Operating Pressure (bar):	3
Flow Rates: (Litres Per Min)	0.1 bar: 3 0.5 bar: 6.9 1 bar: 9.9 2 bar: 14.5 3 bar: 17.3
Pipe Size:	3/4"
Pipe Centres:	150