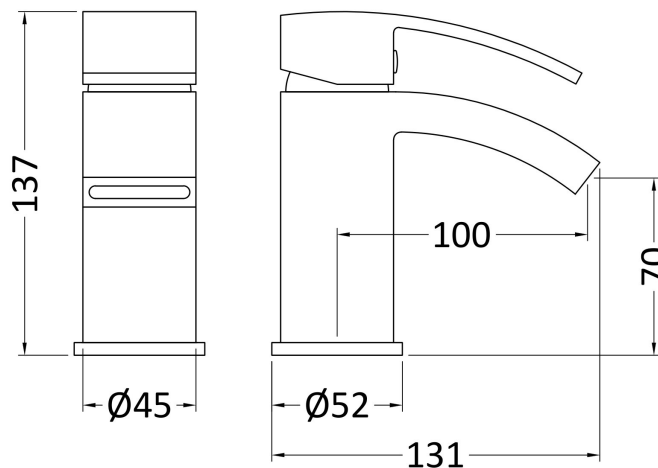


Sales Code: TSI315

Description: Sinclair Mono Basin



### Product Dimensions

|                   |      |
|-------------------|------|
| Height (mm):      | 136  |
| Width (mm):       | 48   |
| Depth (mm):       | 126  |
| Length (mm):      |      |
| Nett Weight (kg): | 0.85 |

### Packaging Dimensions

|                    |     |
|--------------------|-----|
| Height (mm):       | 132 |
| Width (mm):        | 48  |
| Depth (mm):        | 136 |
| Gross Weight (kg): | 1.5 |

### Packaging Data

|               |                     |
|---------------|---------------------|
| Box Colour:   | White Cardboard Box |
| Box Qty:      | 0                   |
| Label Size:   | 0 x 0               |
| Label Colour: | White Label         |
| Label Qty:    | 0                   |

### Outer Box Dimensions (If Applicable)

|                    |               |
|--------------------|---------------|
| Height (mm):       | 385           |
| Width (mm):        | 200           |
| Depth (mm):        | 320           |
| Length (mm):       |               |
| Gross Weight (kg): | 14            |
| Barcode:           | 5055275824399 |

### Product Details

|                           |                        |
|---------------------------|------------------------|
| Country of Origin:        | China                  |
| Fitting Instruction:      | Yes                    |
| Product Material:         | Brass                  |
| Control Type:             | Manual                 |
| Waste Included:           | Waste Included         |
| Waste Type:               | Not Applicable         |
| WRAS Approval: No         | Approval No: N/A       |
| Valve/Cartridge Type:     | Single Lever Cartridge |
| Colour/Finish:            | Chrome                 |
| Mount Type:               | Deck                   |
| Operating Pressure (bar): | 0.2                    |

|                              |                  |            |             |             |             |
|------------------------------|------------------|------------|-------------|-------------|-------------|
| Flow Rates: (Litres Per Min) | 0.1 bar: 2.2     | 0.5 bar: 7 | 1 bar: 10.3 | 2 bar: 14.7 | 3 bar: 18.2 |
| Pipe Size:                   | 15 mm (1/2" Bsp) |            |             |             |             |
| Pipe Centres:                | N/A              |            |             |             |             |