

TECHNICAL DATA SHEET

Cover Close Coupled Fully Enclosed WC

ROPER RHODES®

NO.	Description	Product Code	Fixings included	Gross Weight
1	Close Coupled Cistern	CCCTNK-R	YES	12.5KG
2	Soft Close Toilet Seat	CSCTS	YES	3KG
3	Fully Enclosed WC	CCCPAN-R	YES	39.8KG

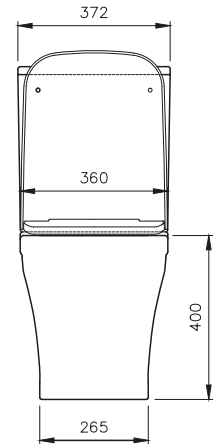
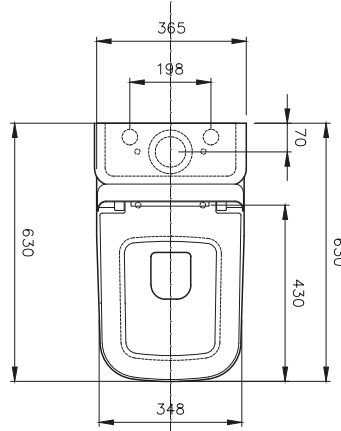
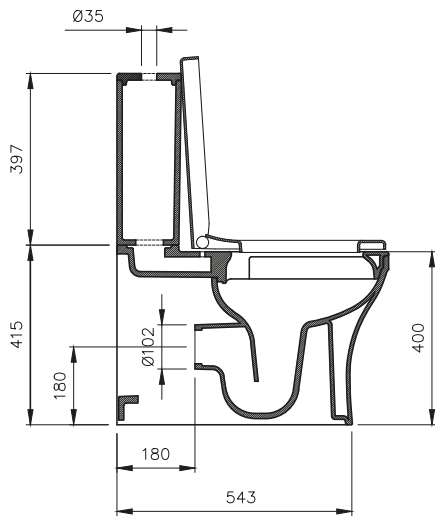


Spares Codes:

- Pan Floor Fixing Kit - SP16858
- Cover Inlet Valve - SP16860
- Cover Donut Washer/Gasket - SP18962
- Cover Flush Valve - SP18105
- Cover Flush Button (With Legs) - SP18106

DIMENSIONS

DIAGRAMS NOT TO SCALE | ALL DIMENSIONS IN MM TOLERANCE OF ± 5MM
ALL PRODUCTS CONFORM TO BRITISH STANDARDS



*Dimensions are subject to change, customers are advised to measure actual product before commencing installation.
**Fixing point dimensions are for guidance only. The positions of fixings must be checked when product is received.

FAQs

Q - Where is the inlet valve?
A - Bottom inlet, back right of the pan.

Q - What is the flush volume?
A - 6/4L

Q - Can this pan be used with a side connection outlet pipe?
A - No

Q - Are there any other compatible seats?
A - No

Key Dimensions Descriptions	Key Dimensions (mm)
Front to Back Footprint	543mm
Left to Right Footprint	265mm
Bowl Front to Back	290mm
Bowl Left to Right	240mm
Pan Height (+Cistern)	410mm (812mm)
Pan Overall Front to Back	630mm
Centre Waste Outlet to Floor	180mm
Width of Void	230mm
Is there a Ceramic Brace Bar	No
Distance from Spigot to back of Pan	180mm