

Pivot Door

Instruction Manual

N2F



PO Box 125, Whitworth Avenue,
Aycliffe Business Park,
Co Durham DL5 6WX

To obtain a copy of the Declaration of Performance for this product, please go to: www.ce-dop.com, contact us on +44 (0) 1325 328034, or write to us at the above address, quoting the product reference number where possible.



IMPORTANT INFORMATION

Be aware toughened glass can shatter if not handled correctly. It should not be subjected to any sharp impact and it is essential to protect the glass by resting it on a soft protective surface during installation such as cardboard or carpeting. It is recommended to wear PPE at all times during installation.



PRE-INSTALLATION CHECKS

1. Check you have the correct product. Please look at the labels on the side of the product packaging.
2. Check all the product components are in the box and the fixing kits.
3. Unpack your product and handle it with care.
4. Please check the product for defects or damage, once the installation has commenced we cannot accept responsibility for any defects or damage.
5. Please take time to read these instructions prior to installing your product.
6. Before you commence any drilling check there are no hidden electrical cables and/or water pipes.
7. No attempt should be made to re-work the toughened safety glass.
8. The installation of the product should be performed by two persons.
9. It is strongly recommended that the walls the product is going to be installed on are vertical.
10. It is strongly recommended the product is fitted on a tiled surface or similar waterproof surface.
11. It is strongly recommended the walls are tiled and grouted before the product is installed.
12. If the walls and/or the tray are not level you will not achieve maximum adjustment of the product.
13. Pictures used are for illustration purposes only, product designs may alter slightly as a result of continuing product development.
14. We do not stipulate where the European Standard Kite Mark should be positioned on the glass when being factory assembled.
15. Please note that some natural misting may occur when you remove this product from its packaging, due to the addition of the glass protection pre-coating. If this does occur this can easily be removed with a soft, dry cloth.

Component Check List: Supplied

Description	Quantity
Wall Profiles	2
Pivot Door	1
Screw Covers with Adhesive Tape	2
Frame and Door Magnets	1 of each
Vertical Frame (Magnet Side)	1
Dam Mouldings (Left and Right Hand)	1 of each
Bottom Rail Joiner (Left and Right Hand)	1 of each
Handle Assembly	1
Bottom Rail and Bottom Seal	1 of each

Fixing Kit Components

Description	Quantity
2.5mm Drill Bit	1
Wall Plugs	6
40mm screws	6
9mm Screws	10
Top Caps	3
3mm Allen Key	1
4mm Allen Key	1
Door Setting Block	1
Branding Badge	1

Equipment Check List: Not Supplied

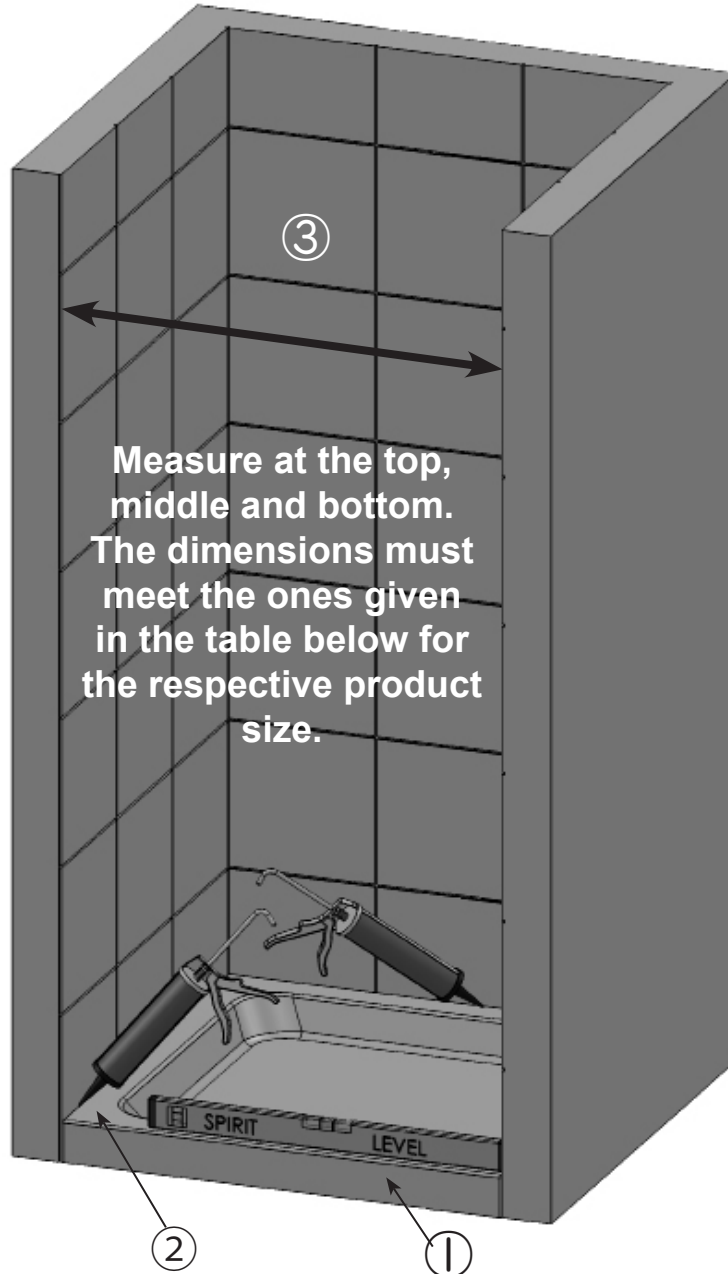
Description
Electric / Battery Drill
6mm Masonry Drill Bit
Sealant Gun
Bathroom Sealant
Screwdriver
Spirit Level
Tape Measure
Pencil
Stanley Knife / Snips

CONSUMER GUARANTEE

Please make sure the purchaser/end user completes and returns the guarantee card which is enclosed with this product. Failure to validate the Guarantee will mean only the 1 Year Statutory Guarantee will apply.

Step 1 - Preparation

NOTE: The Pivot Door is designed to fit into an alcove between two tiled walls (as shown below).

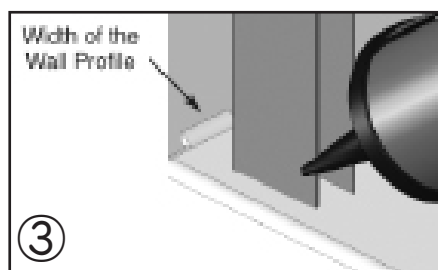
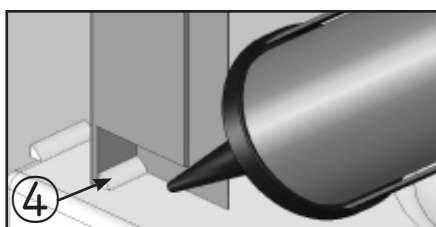
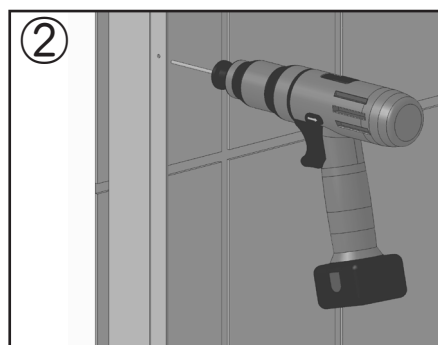
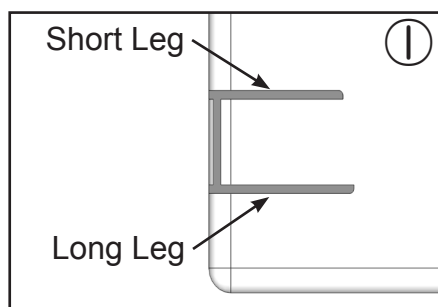
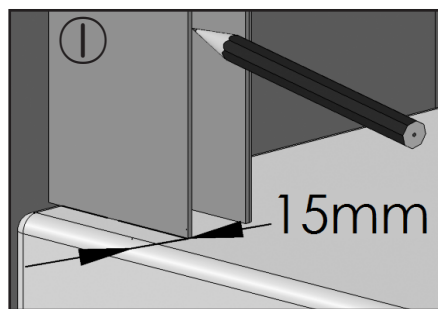
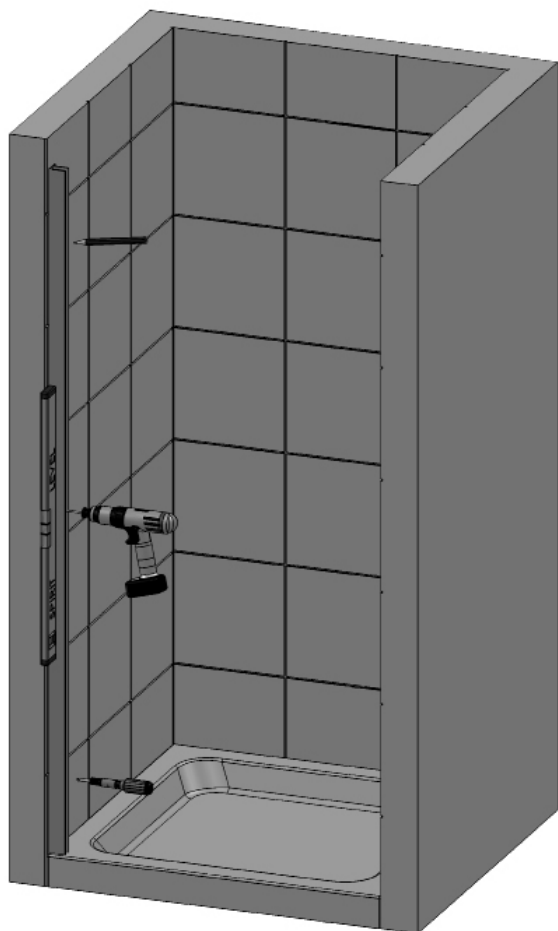


Product Code	Minimum Alcove Size	Maximum Alcove Size
N2F7613S	710mm	750mm
N2F813S	750mm	790mm
N2F913S	850mm	890mm

1. Ensure the tray is completely level and check for any movement by standing in it - correct as necessary.
 - **Please ensure that the tray is installed as per the manufacturers instructions.**
2. Seal the tray fully along the tiled walls prior to installation with a bathroom sealant (not supplied).
 - **Prior to fitting the enclosure and when the sealant has fully cured, spray the shower handset over the joints and check for any leaks.**
3. **IMPORTANT:** Prior to installing/attempting to fit the Pivot Door into an alcove measure the opening at the top, middle and bottom after all tiling and grouting has been done. Check this against the dimensions given in the table shown above to see if your alcove meets the criteria.
 - **Check the plumbing for leaks.**
 - **Do not plasterboard over the tray.**
 - **Do not grout the tiles when the enclosure has been fitted as the grout may discolour the aluminium.**

Step 2 - Fitting the Wall Profiles

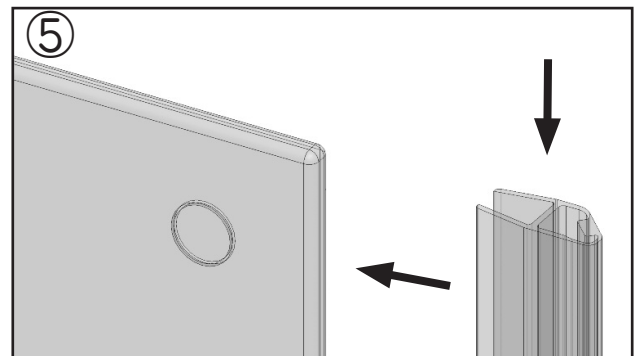
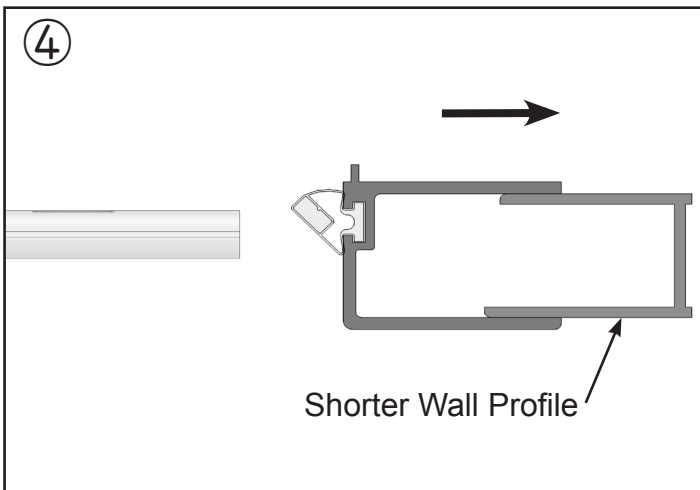
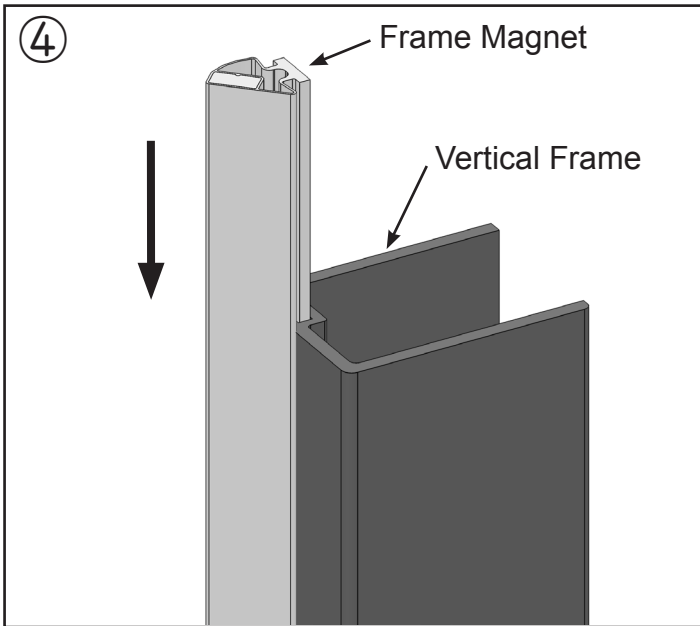
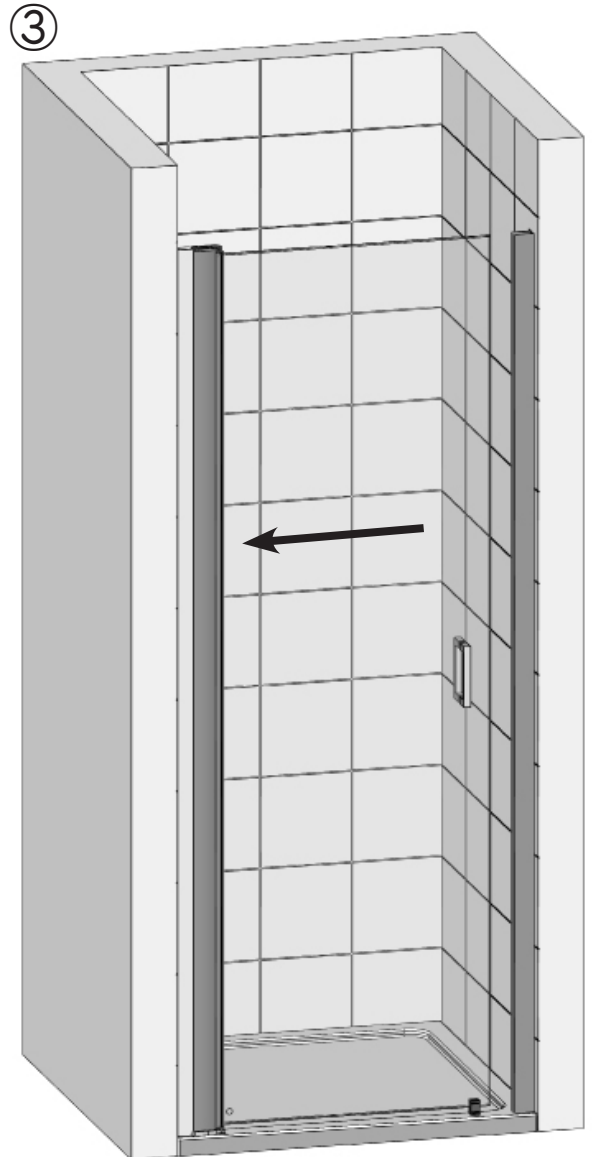
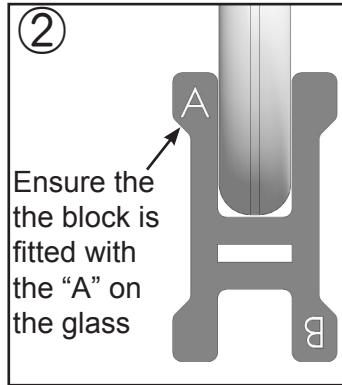
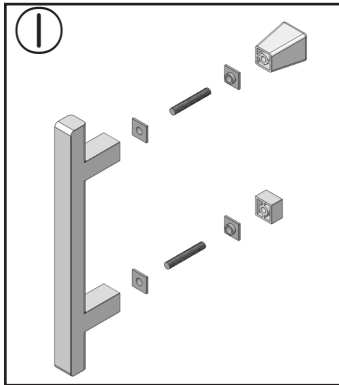
IMPORTANT: This product features two different length Wall Profiles. See notes below.



1. Decide which side of the alcove the pivot side of the enclosure is to be fitted. Place the longer Wall Profile 15mm in from the outside of the tray. The longer leg of the Wall Profile must be on the outside of the enclosure, towards the front of the tray. Make sure the Wall Profile is completely vertical using a spirit level and mark the wall through the slots with a pencil.
2. Drill the wall with a 6mm Masonry Drill Bit (not supplied) where the Wall Profile is to be positioned. Fit the Wall Plugs supplied (if going in to a brick or block wall). If going into a plasterboard wall you will need to purchase appropriate wall fixings. Wipe clear all debris from the Tray before referring to the next stage.
3. Where the Wall Profile is to be positioned on the Tray, place a bead of Bathroom Sealant (not supplied) the width of the Wall Profile along the tiled wall. Screw the Wall Profile to the wall with 40mm Screws (supplied). Do not over tighten the screws into the Wall Profiles as this will misshape the Wall Profile. Ensure the Wall Profile stays completely vertical throughout this procedure using a Spirit Level.
 - **Failure to carry out this procedure correctly can result in serious water damage and is not covered by the Guarantee.**
 - **No sealant to be present between the Wall Profiles and the tiled walls vertically prior to screw fixing.**
4. Seal the gap on the inside between the Tray and Wall Profile with a Bathroom Sealant (not supplied).
 - **Failure to carry out this procedure correctly can result in serious water damage and is not covered by the Guarantee.**
5. Repeat these steps for the shorter Wall Profile on the opposite wall.

Step 3 - Fitting the Door

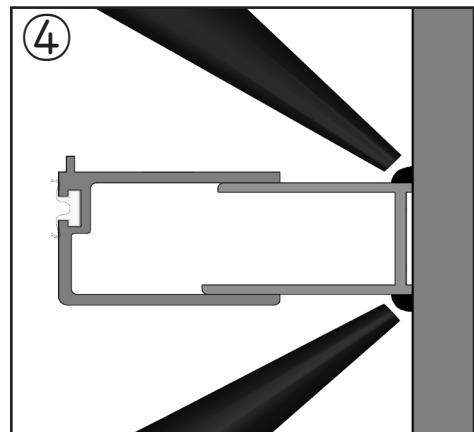
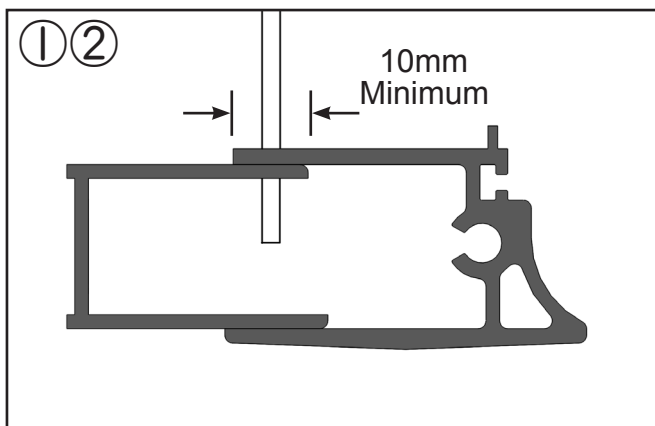
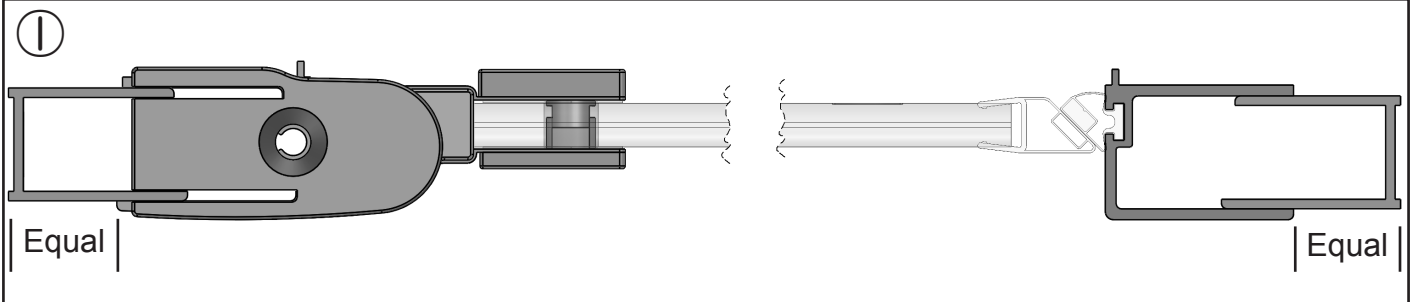
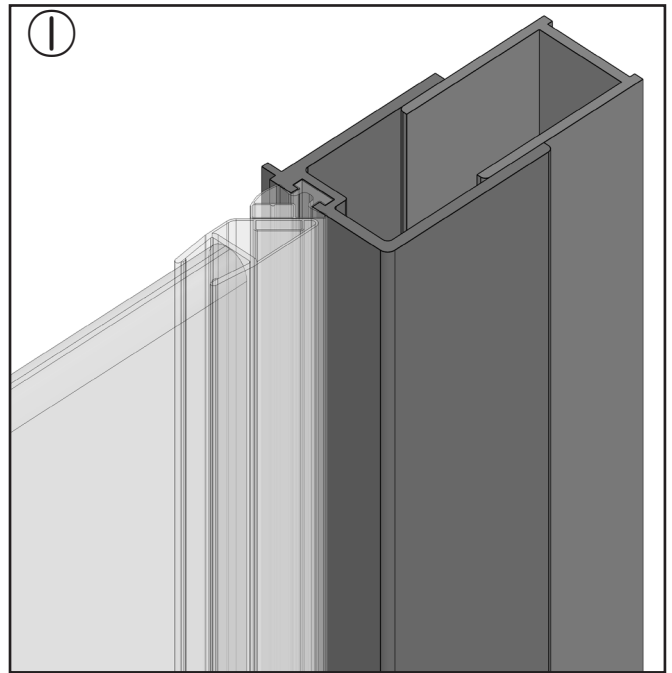
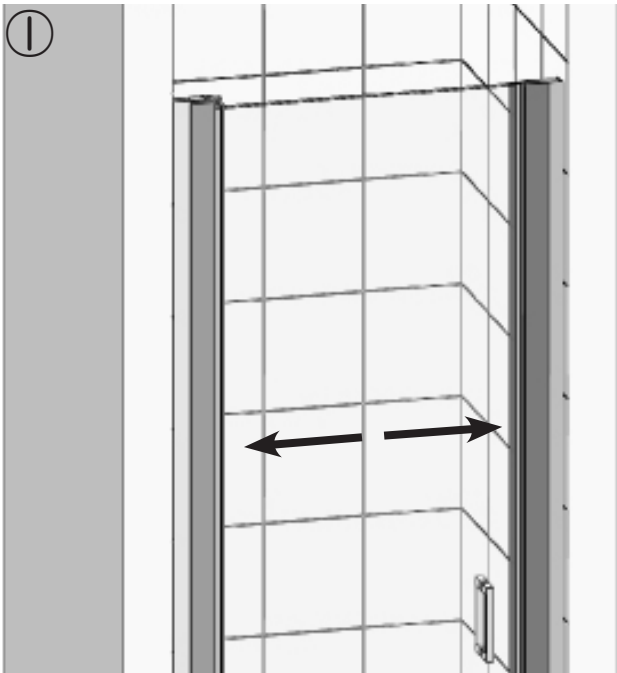
NOTE: 2 people will be required to carry out these operations. Some parts are hidden for clarity reasons.



1. Dismantle the Handle Assembly and re-assemble onto the Door Glass. Make sure the Plastic Gaskets are fitted between the Handle and the Glass.
2. Place the setting block onto the bottom of the glass, ensuring the end marked "A" is on the glass.
3. Lift the door assembly onto the tray and slide over the longer Wall Profile making certain that the setting block is resting on top of the tray.
4. Decide whether the door will open inwards or outwards and slide the Frame Magnet into the channel on the Vertical Frame and offer it over the shorter Wall Profile.
 - **Note: The image above shows the outward opening magnet configuration.**
5. Open the door slightly and push the Door Magnet onto the Door Glass at the handle side.

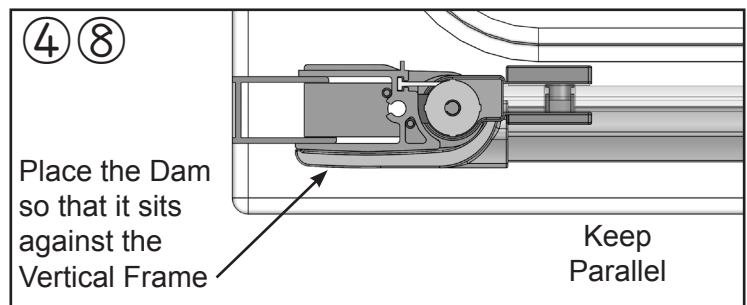
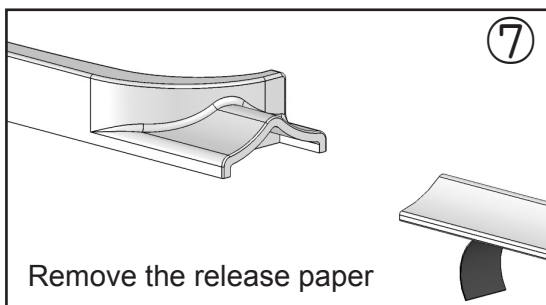
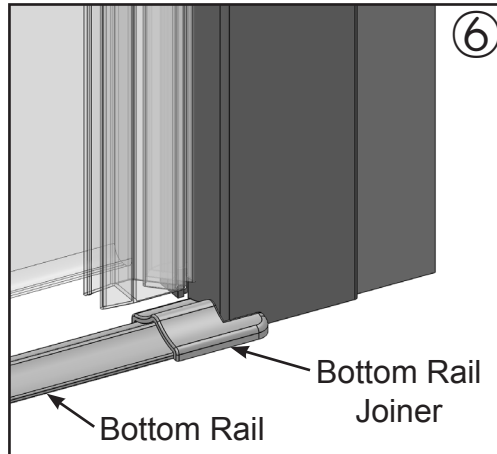
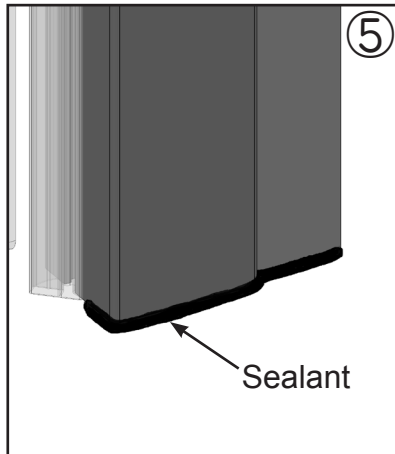
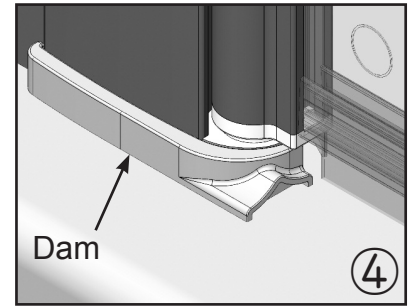
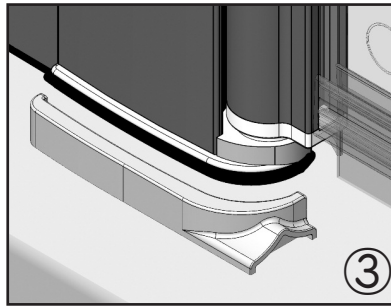
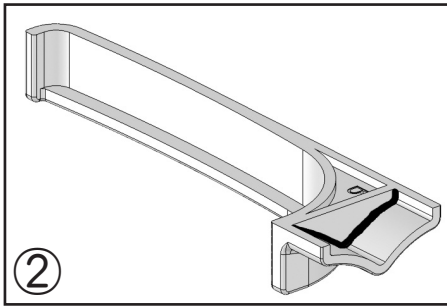
Step 4 - Fixing the Door to the Wall Profiles

NOTE: 2 people will be required to carry out these operations. Some parts are hidden for clarity reasons.



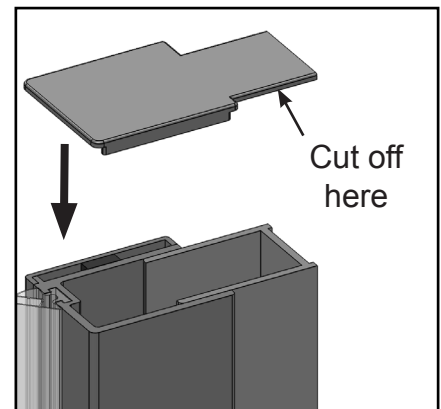
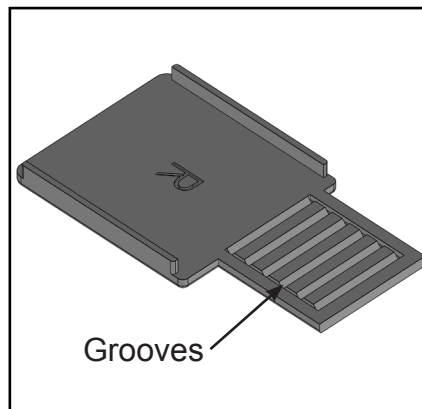
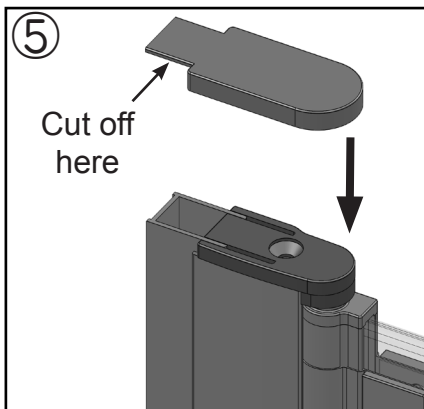
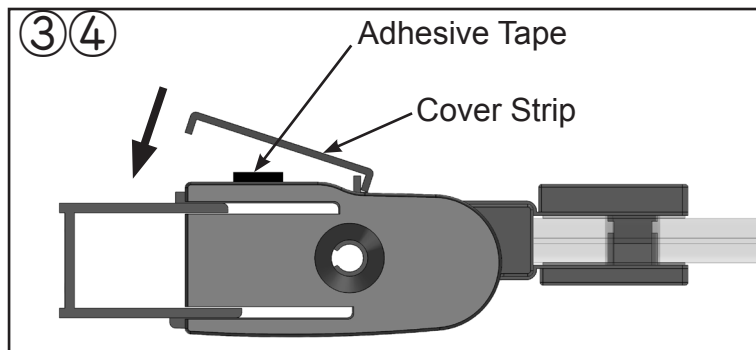
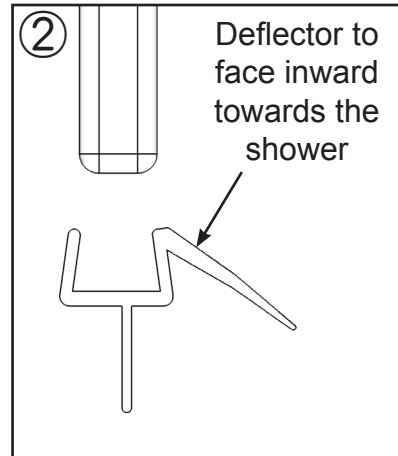
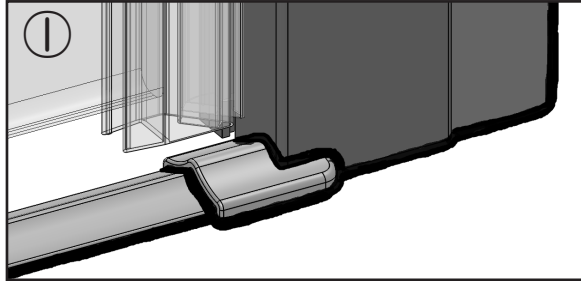
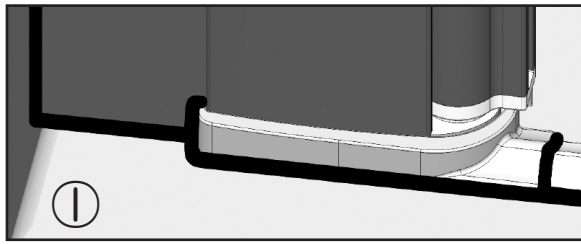
1. Centralise the Door between the Wall Profiles, there must be a minimum of 10mm for fixing.
 - **Make sure the Magnets on the Door and Frame locate onto each other down the full length of the door.**
2. On the inside of the enclosure, with the 2.5mm drill bit (supplied), drill a hole into the Vertical Frame and Wall Profile approximately 100mm from the top and bottom and one in the centre. Drill 2 holes between these (5 holes in total).
 - **Ensure the door is completely vertical (the bubble on the Spirit Level must be in the centre of the 2 lines).**
3. Fasten the Door to the Wall Profiles using the 9mm screws supplied.
4. Seal the Wall Profiles vertically top to bottom, both internally and externally where they meet the tiles.
IMPORTANT: Failure to carry out stage 4 may result in serious water damage and is not covered under the terms of the guarantee.
 - **Allow 24 hours for the sealant to fully cure prior to using the shower.**
5. Remove the setting block from the bottom of the door.

Step 5 - Fitting the Dam and Bottom Rail



1. Choose the correct Dam for your installation and discard the other.
2. Turn the Dam upside down and add a small amount of sealant on the inside edge (see image).
3. Seal the base of the pivot section to the Tray top as shown in the image above.
4. Position the Dam against the Vertical Frame at the pivoting side of the door and gently press into the sealant just applied.
 - **IMPORTANT: The Dam must be fitted before the pre-applied sealant starts to cure.**
5. Choose the correct Bottom Rail Joiner, turn it upside down and add a small amount of sealant to the inside edge. Seal the outside of the Vertical Frame and Wall Profile to the Tray top as shown.
6. Position the Bottom Rail Joiner against the Vertical Frame at the closing side of the door.
7. Remove the release paper from the back of the adhesive tape (which is on the underside of the Bottom Rail) and place the Rail inside the Dam and Bottom Rail Joiner.
 - **The Bottom Rail Joiner will need lifting slightly to allow positioning of the Bottom Rail.**
8. Press the Rail down onto the top of the tray ensuring that it is kept parallel to the outside edge of the tray and that the Dam and Joiner both remain in position.
 - **Make sure the top of the tray is clean and free from any contaminants before applying the Rail.**
9. Make sure the Door Magnet is positioned so it just clears the Bottom Rail when the door is opened. The Magnet may need to be removed and repositioned to achieve this. Trim both Magnets so that they are level with the top of the glass.

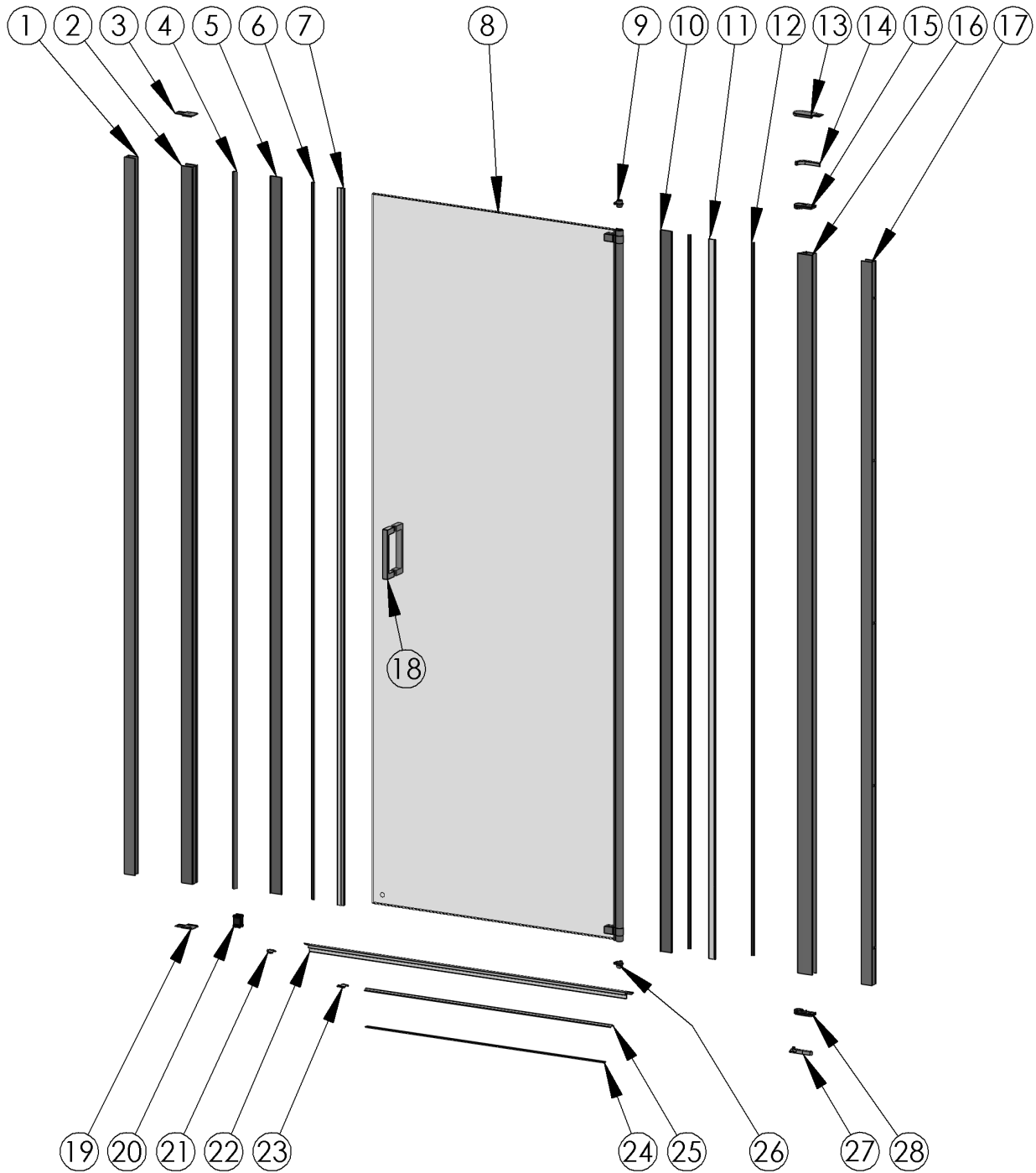
Step 6 - Sealing



- Seal the base of the enclosure to the top of the tray from wall to wall on the outside only making sure that you seal around the Dam and Joiner as shown. Seal the Dam vertically where it meets the Vertical Frame.
 - IMPORTANT: Failure to carry out stage 1 may result in serious water damage and is not covered under the terms of the guarantee.**
 - DO NOT seal the base of the product to the inside, failure to comply may result in the product leaking.**
 - Allow 24 hours for the sealant to fully cure prior to using the shower.**
- Fit the Bottom Seal onto the bottom of the glass making sure it fits between the Pivot Tube and the Door Magnet (trim to length if required). Ensure that the deflector is facing inward towards the shower.
 - Make sure the Magnets on the door and frame locate onto each other down the full length of the door.**
 - If the Seal drags over the Bottom Rail, the door may need raising at the magnet side. Unscrew the top 3-4 door fixing screws, raise the door, re-drill and re-fix.**
- Remove the release paper from the Adhesive Tape supplied and place the Tape on the face of the Vertical Door Frame, ensuring the Tape is positioned to one side of the screw heads.
 - The longer Cover Strip is for the pivot side of the product.**
- Place one side of the Cover Strip over the leg on the Vertical Frame and press firmly to stick the Cover Strip to the Frame.
- The Top Caps have grooves and can be shortened by cutting along these grooves using scissors or snips (adding a small amount of sealant will help keep the caps in place).
- Place the Branding Badge in a prominent position on a none moving part of aluminium.

Spare Parts

If you need to replace any damaged parts please see illustration below for parts list then call Customer Relations on 01325 328033



Part No.	Description	Qty	Part No.	Description	Qty	Part No.	Description	Qty
1	Short Wall Profile	1	11	Tube Seal	1	21	Bottom Rail Joiner (LH)	1
2	Vertical Frame (Magnet Side)	1	12	Linear Seal	1	22	Bottom Seal	1
3	LH Top Cap (Magnet Side)	1	13	Top Cap (Pivot Side)	1	23	Bottom Rail Joiner (RH)	1
4	Screw Cover Adhesive Tape	2	14	Dam (Left Hand)	1	24	Bottom Rail Adhesive Tape	1
5	Screw Cover (Magnet Side)	1	15	Pivot Cap (Left Hand)	1	25	Bottom Rail	1
6	Frame Magnet	1	16	Vertical Frame (Pivot Side)	1	26	Tube Cap (Right Hand)	1
7	Door Magnet	1	17	Long Wall Profile	1	27	Dam (Right Hand)	1
8	Door Assembly	1	18	Handle Assembly	1	28	Pivot Cap (Right Hand)	1
9	Tube Cap (Left Hand)	1	19	RH Top Cap (Magnet Side)	1	29		
10	Screw Cover (Pivot Side)	1	20	Setting Block	1	30		

TROUBLE SHOOTING GUIDE

Problem	Solution
Leaking	<ol style="list-style-type: none">1. Check that the inside gap between the Tray and Wall Profiles has been sealed correctly.2. Ensure the tray is sealed along the tiled walls prior to installation.3. If the inside joint between the enclosure and the tray top is sealed, this will cause leakage - sealant must be removed.4. Ensure the Wall Profiles on the tiled walls are sealed both vertically inside and outside.5. Ensure the joint between the enclosure and tray top is sealed.6. The deflector on the Bottom Seals is semi rigid and can be carefully altered to offer more deflection of the water.7. Check the Angled Magnets are locating and there are no gaps. <p>Important: This enclosure should be water tested conforming to BS EN 14428</p>
Enclosure Alignment on the Tray	<ol style="list-style-type: none">1. Is the enclosure fitted onto a tiled wall?2. Check the Wall Profiles are in line with each other and parallel to the tray?3. Are the Wall Profiles completely vertical?
Door not operating correctly	<ol style="list-style-type: none">1. Ensure both Wall Profiles are completely vertical.2. Ensure the tray is completely level.

Some important information to help you Maintain your product.

The following information is all you need to keep your product looking new.

Clean your product using a mild detergent diluted in water and then polished off using a soft cloth. If you live in a hard water area, periodically clean your product using a 50/50 solution of white vinegar and water. The solution should be left on the enclosure for approximately 5 minutes then rinsed off using warm water. This method of cleaning should remove lime scale residue.

Simple Maintenance

Our products are generally maintenance free, however it may be necessary to lubricate wheel assemblies and other moving parts from time to time.

It is strongly recommended that a quality silicone spray is used.

A list of Don't's:

1. Don't use acidic based products which are unsuitable for cleaning enamel surfaces.
2. Don't use abrasive cleaners or cleaners using bleach or solvents, these products will adversely affect the finish of the aluminium profiles.
3. Don't use scouring pads, powder or any sharp instruments when cleaning the enclosure.

Should you experience any problems during installation please refer to the Trouble Shooting Guide or contact Customer Relations on:

+44 (0) 1325 328033

To enable customer relations to provide you with an excellent level of service it is important that you quote your product Code and Reference Number - these can be found on the Guarantee card.