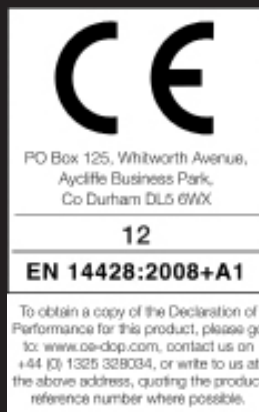


Bi-Fold Door with Side Panel

Instruction Manual

N2VCS + N2RS



IMPORTANT INFORMATION

- Toughened glass is completely safe for use in our shower enclosures and bath screens; providing our products are installed according to our guidelines.
- It is important to note that the glass must not be mounted or 'pinched' in such a way that would cause a stress point to develop in the glass. In addition, it must not be subject to any sharp impact or severe temperature fluctuation which may also cause a stress point to develop in the glass.
- Toughened glass is physically and thermally significantly stronger than standard glass. During the toughening process the stresses contained within any glass are balanced so if in the unlikely event situation any of the above occurs and the glass breaks, the glass will shatter safely into small thumbnail sized blunt fragments.

PRE-INSTALLATION CHECKS

1. Check you have the correct product. Please look at the labels on the side of the product packaging.
2. Check all the product components are in the box and the fixing kits.
3. Unpack your product and handle it with care.
4. Please check the product for defects or damage, once the installation has commenced we cannot accept responsibility for any defects or damage.
5. Please take time to read these instructions prior to installing your product.
6. Before you commence any drilling check there are no hidden electrical cables and/or water pipes.
7. No attempt should be made to re-work the toughened safety glass.
8. The installation of the product should be performed by two persons.
9. It is strongly recommended that the walls the product is going to be installed on are vertical.
10. It is strongly recommended the product is fitted on a tiled surface or similar waterproof surface.
11. It is strongly recommended the walls are tiled and grouted before the product is installed.
12. If the walls and/or the tray are not level you will not achieve maximum adjustment of the product.
13. Pictures used are for illustration purposes only, product designs may alter slightly as a result of continuing product development.
14. We do not stipulate where the European Standard Kite Mark should be positioned on the glass when being factory assembled.
15. Please note that some natural misting may occur when you remove this product from its packaging, due to the addition of the glass protection pre-coating. If this does occur this can easily be removed with a soft, dry cloth.

Equipment Check List: Not Supplied

Description
Electric / Battery Drill
Screwdrivers
Sealant Gun
Bathroom Sealant
Spirit Level
6mm Masonry Drill Bit
Tape Measure
Pencil
Stanley Knife / Snips

Fixing Kit Components

Quantity

Description	N2VCS	N2RS
2.5mm Drill Bit	1	-
3mm Allen Key	1	-
4mm Allen Key	1	-
Wall Plugs	3	3
40mm Screws	3	3
9mm Screws	5	5
Top Caps	1	2
Door Setting Block	2	-
Branding Badge	1	-

Component Check List: Supplied

Description	Quantity
Wall Profiles	2
Door Assembly	1
Side Panel Assembly	1
Screw Covers with Adhesive Tape	2
Dam Mouldings (Left and Right Hand)	1 of each
Corner Dam Mouldings (Left, Right and Dual Door)	1 of each
Handle Assembly	1
Bracing Assembly	1
Bottom Rail	1
Bottom Seal	1
Magnets	2

CONSUMER GUARANTEE

Please make sure the purchaser/end user completes and returns the guarantee card which is enclosed with this product. Failure to validate the Guarantee will mean only the 1 Year Statutory Guarantee will apply.

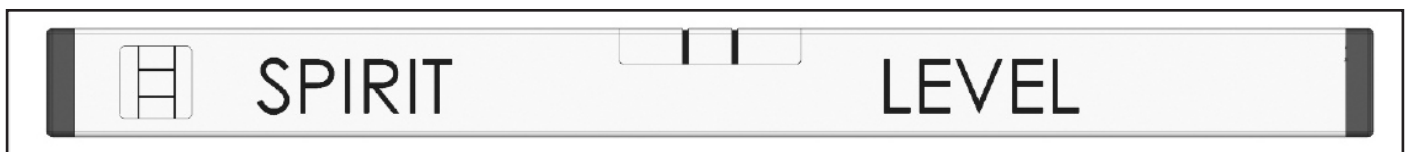
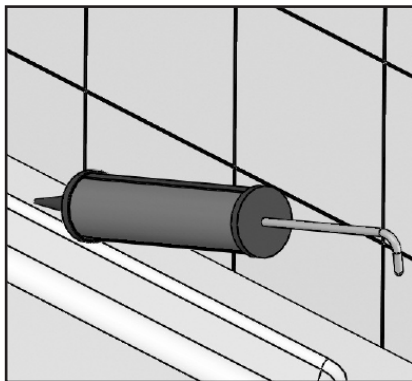
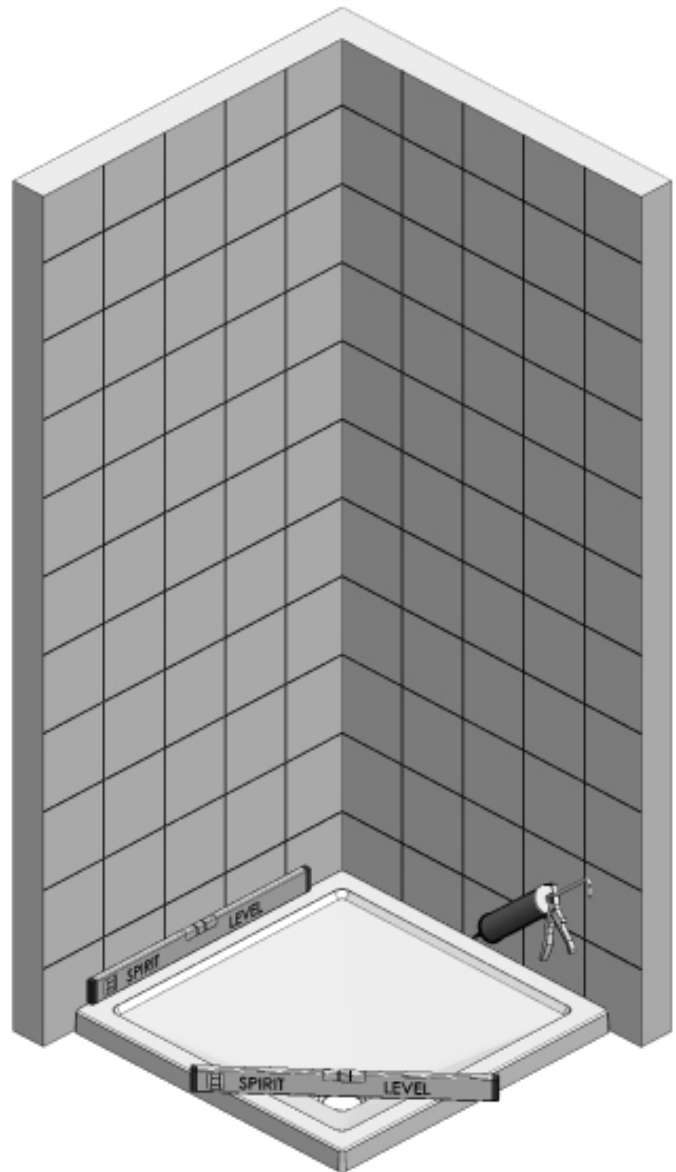
Step 1 - Pre-Installation Checks and Tray Sizes

Enclosure Code (Door)	(Minimum) Tray	(Maximum) Tray
N2V7613CS	730	750
N2V813CS	770	790
N2V913CS	870	890
N2V1013CS	970	990

IMPORTANT: The above are finished tiled sizes

Enclosure Code (Panel)	(Minimum) Tray	(Maximum) Tray
N2R7613S	730	750
N2R813S	770	790
N2R913S	870	890
N2R1013S	970	990

IMPORTANT: The above are finished tiled sizes

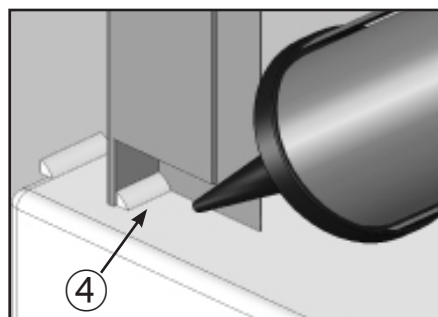
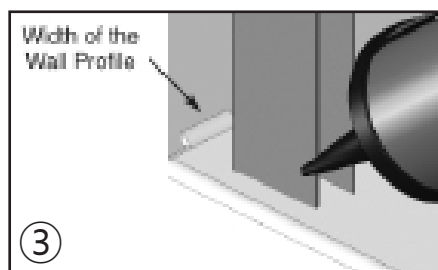
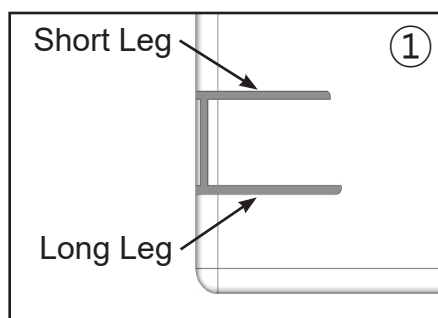
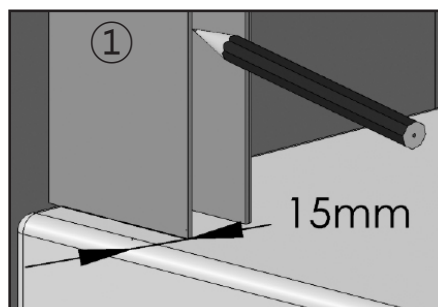
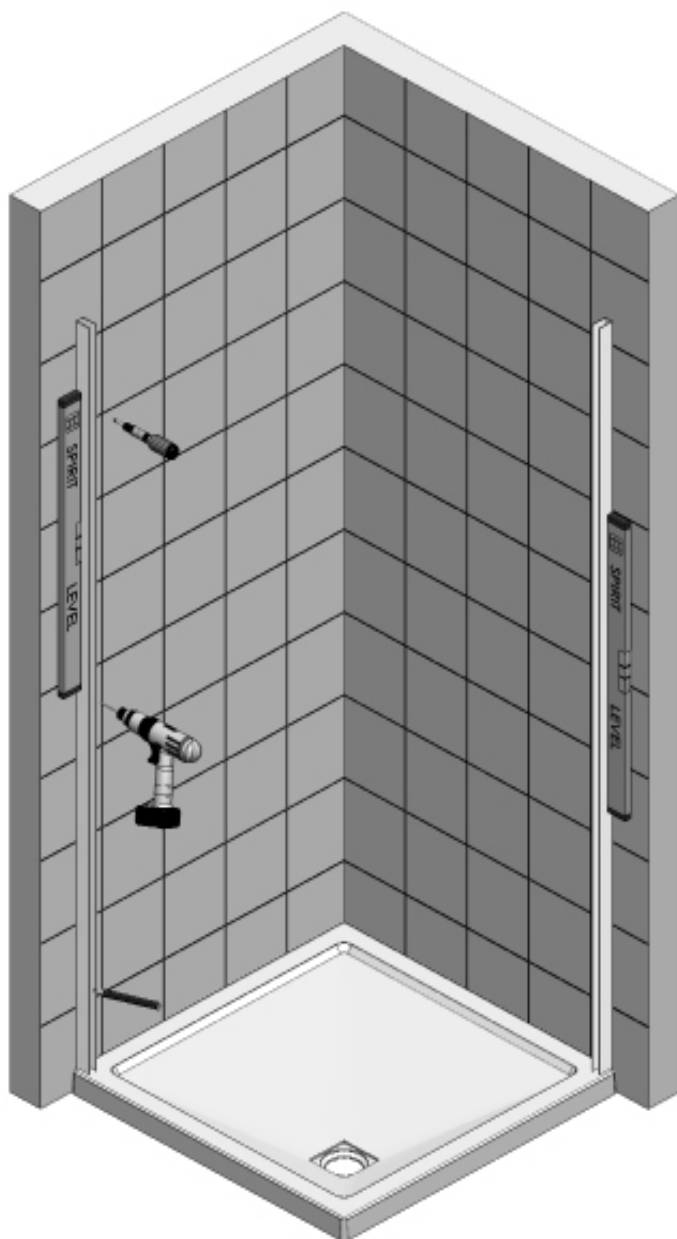


1. Check the tray is level on all sides (the bubble on the spirit level must be in the centre of the 2 lines).
2. Stand in the tray and check that there is no adverse movement (correct if necessary).
3. The walls should be tiled and grouted up to the tray.
4. The tiles and the tray should be sealed using a good quality bathroom sealant.

- **Spray the seal and joints with the shower head and check for leaks when the silicon has cured.**
- **Check the plumbing for leaks.**
- **DO NOT plasterboard over the tray.**
- **DO NOT grout the tiles when the enclosure has been fitted, the grout may discolour the aluminium profiles.**
- **Make sure the tray is installed as per the manufacturer's instructions.**
- **When all of the above has been completed please proceed to the Step 2.**

Step 2 - Fitting the Wall Profiles

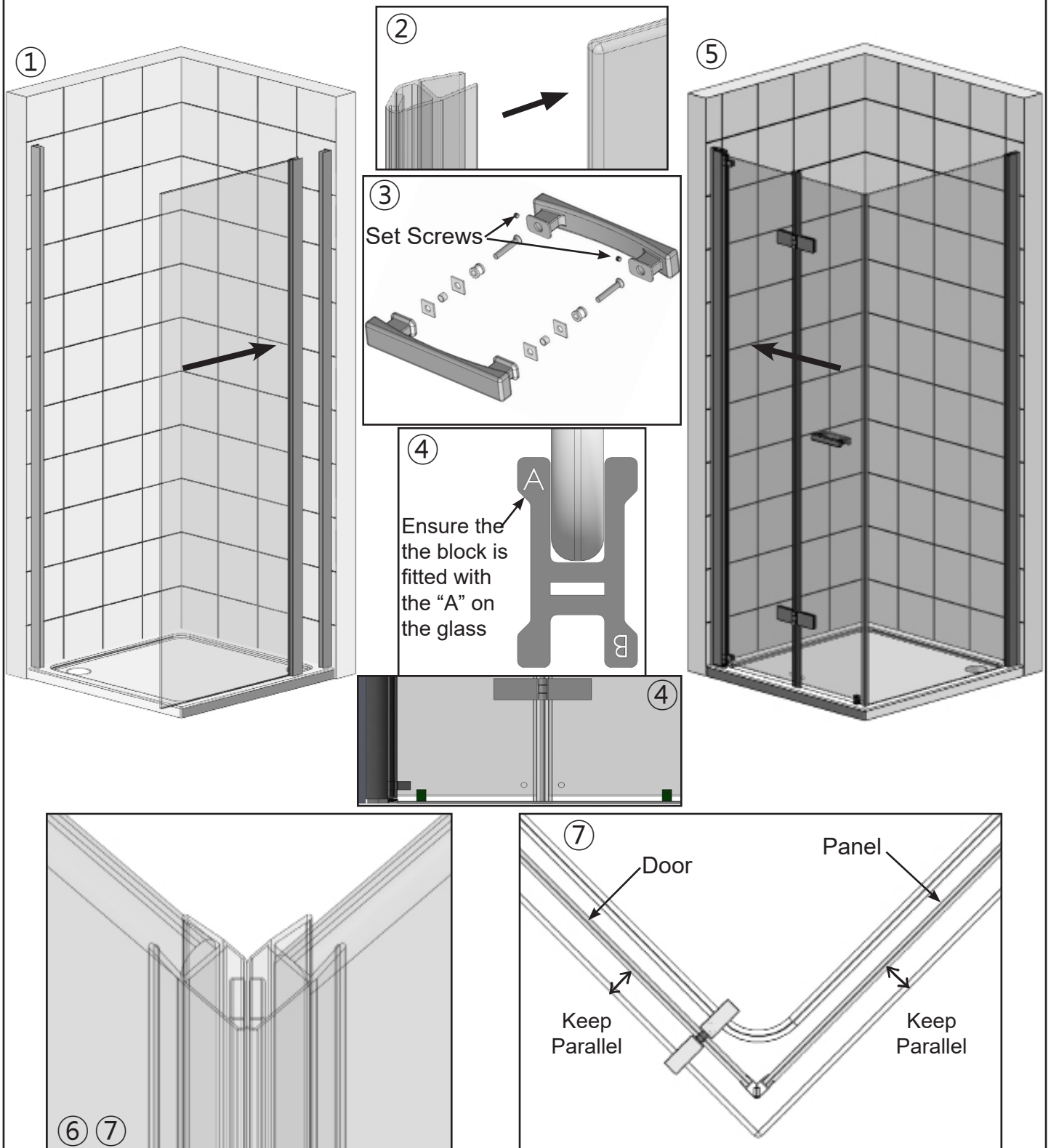
IMPORTANT: This product features two different length Wall Profiles. See notes below.



1. Decide which side of the tray the Door Assembly is to be fitted. Place the longer Wall Profile 15mm in from the outside of the tray. The longer leg of the Wall Profile must be on the outside of the enclosure, towards the front of the tray. Make sure the Wall Profile is completely vertical using a spirit level and mark the wall through the slots with a pencil.
2. Drill the wall with a 6mm Masonry Drill Bit (not supplied) where the Wall Profile is to be positioned. Fit the Wall Plugs supplied (if going in to a brick or block wall). If going into a plasterboard wall you will need to purchase appropriate wall fixings. Wipe clear all debris from the Tray before referring to the next stage.
3. Where the Wall Profile is to be positioned on the Tray, place a bead of Bathroom Sealant (not supplied) the width of the Wall Profile along the tiled wall. Screw the Wall Profile to the wall with 40mm Screws (supplied). Do not over tighten the screws into the Wall Profiles as this will misshape the Wall Profile. Ensure the Wall Profile stays completely vertical throughout this procedure using a Spirit Level.
 - **Failure to carry out this procedure correctly can result in serious water damage and is not covered by the Guarantee.**
 - **No sealant to be present between the Wall Profiles and the tiled walls vertically prior to screw fixing.**
4. Seal the gap on the inside between the Tray and Wall Profile with a Bathroom Sealant (not supplied).
 - **Failure to carry out this procedure correctly can result in serious water damage and is not covered by the Guarantee.**
5. Repeat these steps for the shorter Wall Profile on the other side of the tray.

Step 3 - Fitting the Panel and Door

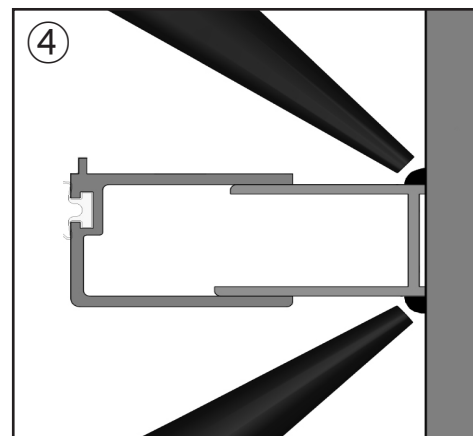
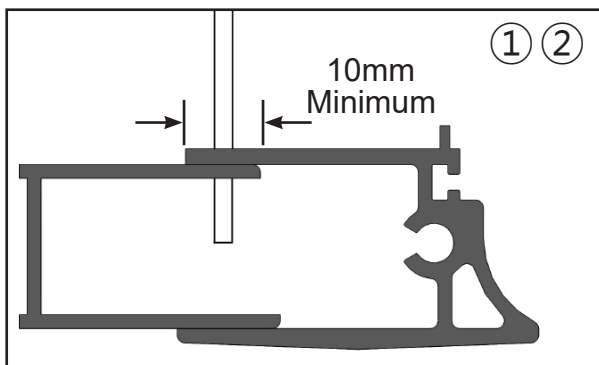
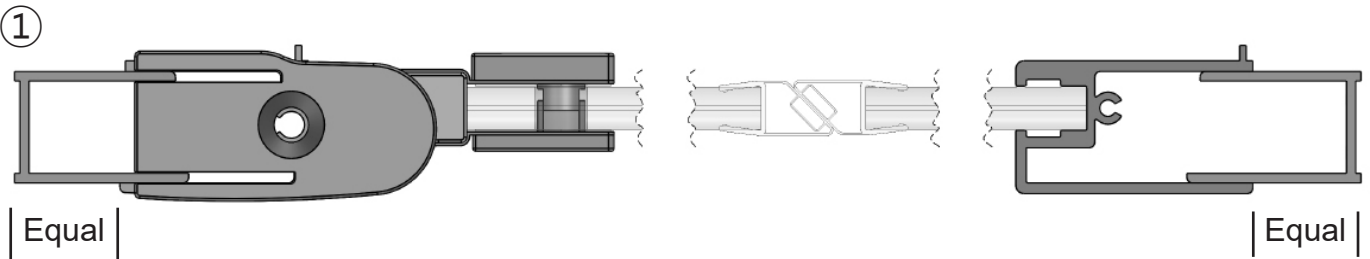
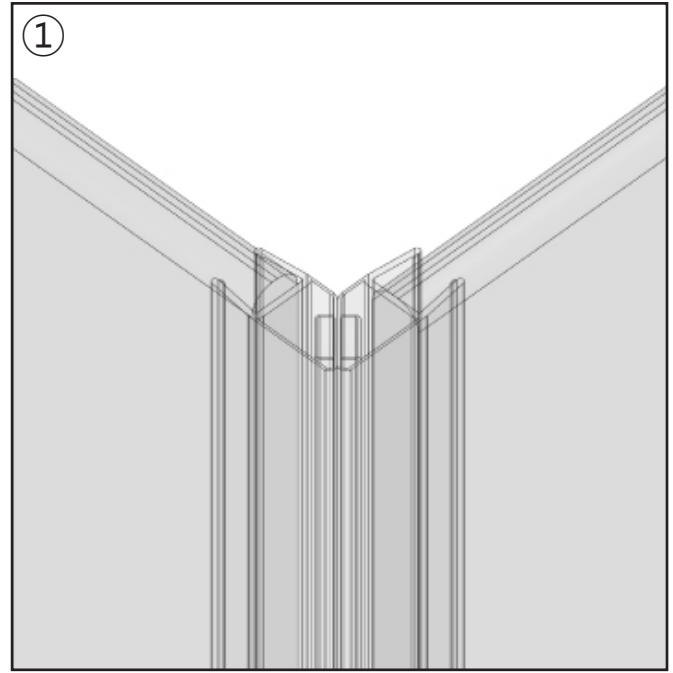
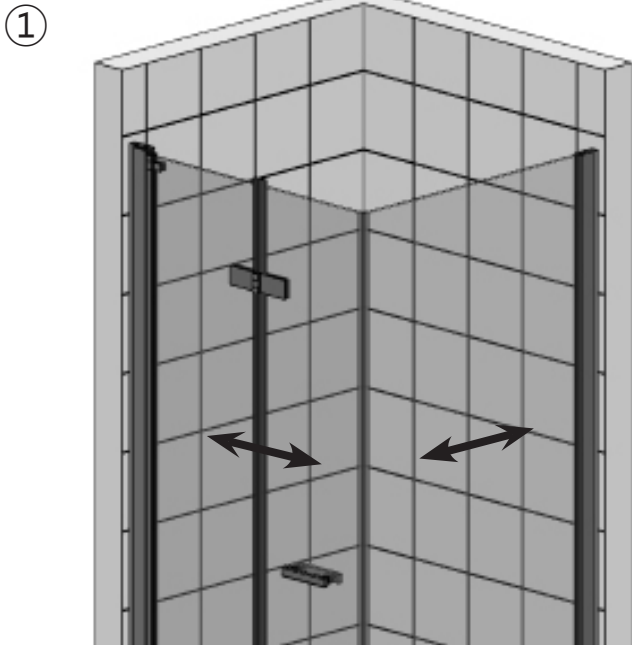
NOTE: 2 people will be required to carry out these operations. Some parts are hidden for clarity reasons.



1. Lift the Panel Assembly over the shorter Wall Profile and carefully push it until it is fully home. Keep the glass parallel to the edge of the tray.
2. Push one of the Angled Magnets onto the edge of the Panel Glass.
3. Dismantle the Handle Assembly and re-assemble onto the Door Glass. Make sure the Plastic Gaskets are fitted between the Handle and the Glass. Ensure the Set Screws are on the inside of the enclosure.
4. Place the setting blocks onto the bottom of the glass, ensuring the end marked "A" is on the glass.
5. Lift the door assembly onto the tray and slide over the longer Wall Profile making certain that the setting blocks are resting on top of the tray.
6. Push the Door Magnet onto the Door Glass. The door will have to be held open slightly to be able to push the Magnet on.
7. Close the Door and with the Magnets fully attracted keep the Door and Panel parallel to the tray edge.

Step 4 - Fixing the Door and Panel to the Wall Profiles

NOTE: 2 people will be required to carry out these operations. Some parts are hidden for clarity reasons.

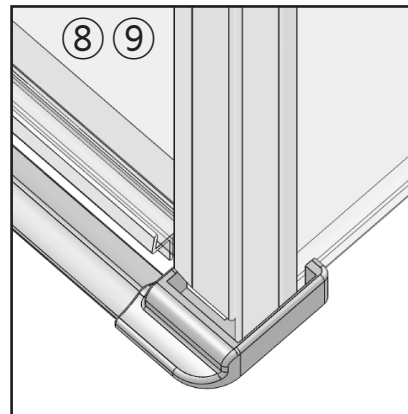
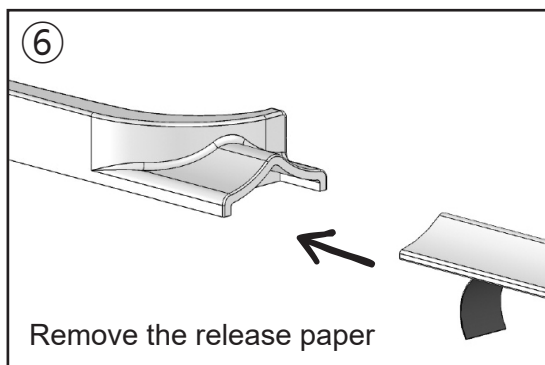
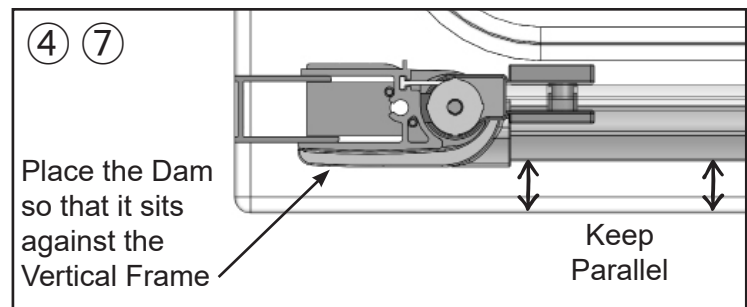
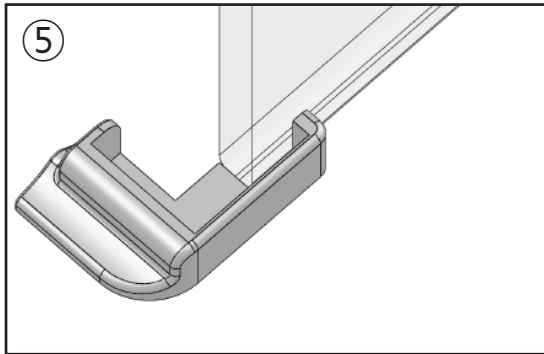
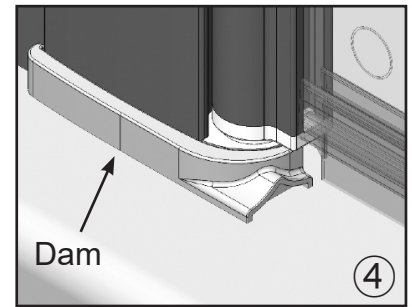
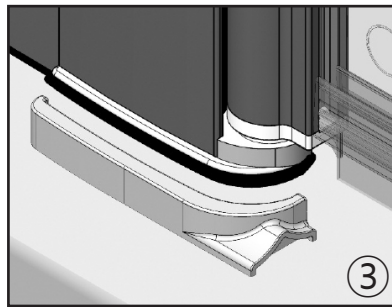
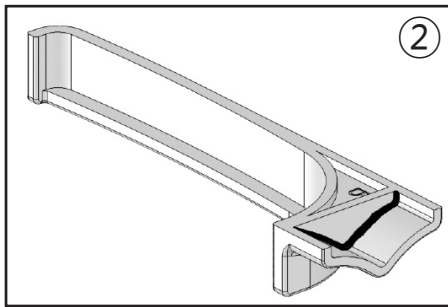


1. Centralise the Door and Panel between the Wall Profiles, there must be a minimum of 10mm for fixing.
 - **Make sure the Magnets locate onto each other from top to bottom.**
2. On the inside of the enclosure, with the 2.5mm drill bit (supplied), drill a hole into the Vertical Frame and Wall Profile approximately 100mm from the top and bottom and one in the centre. Drill 2 holes between these (5 holes in total).
 - **Ensure the door is completely vertical (the bubble on the Spirit Level must be in the centre of the 2 lines).**
3. Fasten the Door and Panel to the Wall Profiles using the 9mm screws supplied.
4. Seal the Wall Profiles vertically top to bottom, both internally and externally where they meet the tiles.

IMPORTANT: Failure to carry out stage 4 may result in serious water damage and is not covered under the terms of the guarantee.

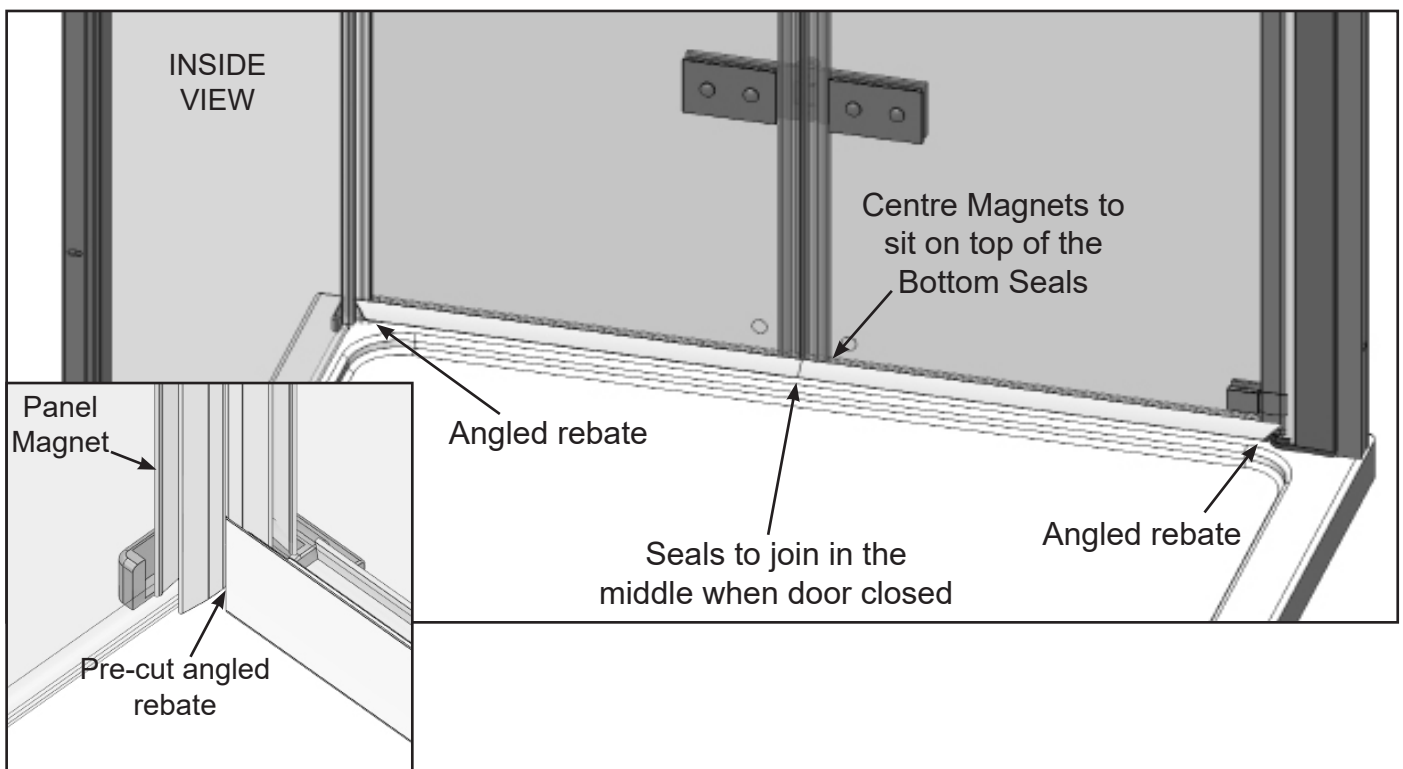
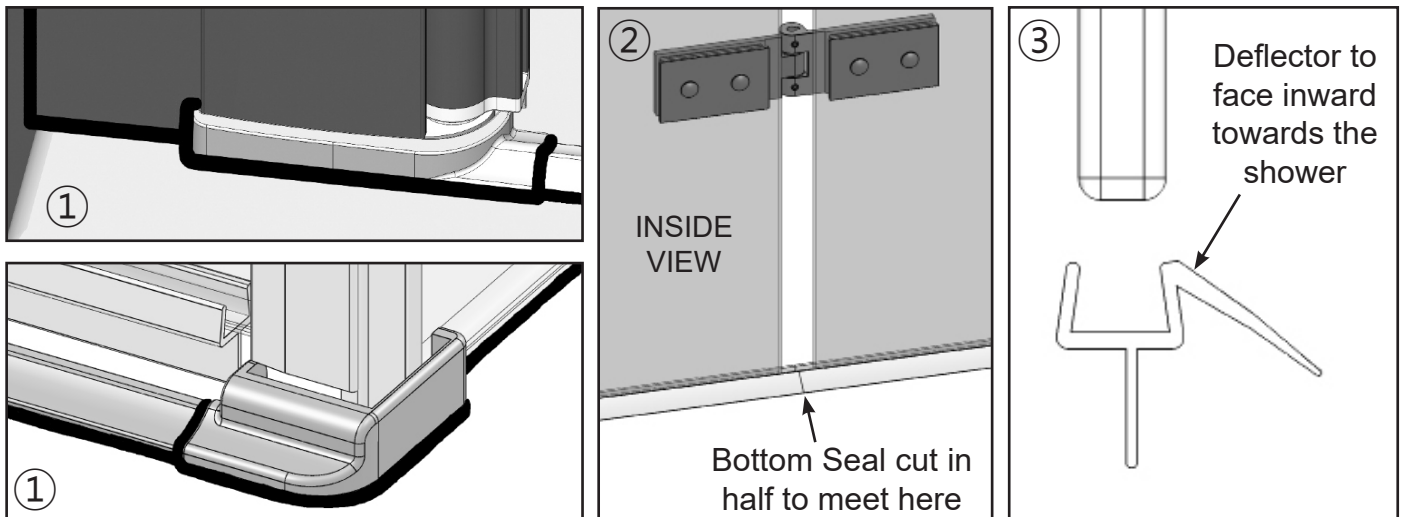
 - **Allow 24 hours for the sealant to fully cure prior to using the shower.**
5. Remove the setting blocks from the bottom of the door.

Step 5 - Fitting the Dam and the Bottom Rail



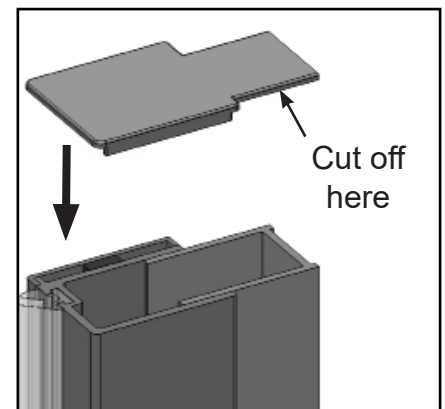
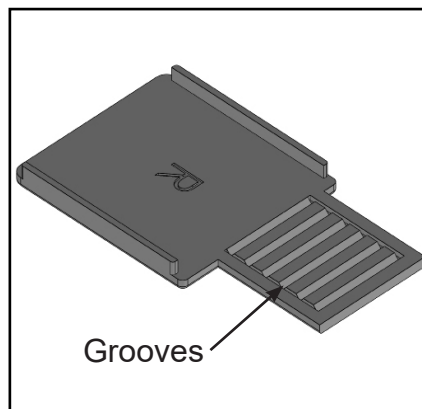
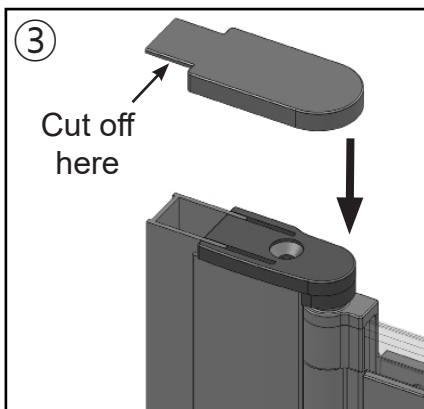
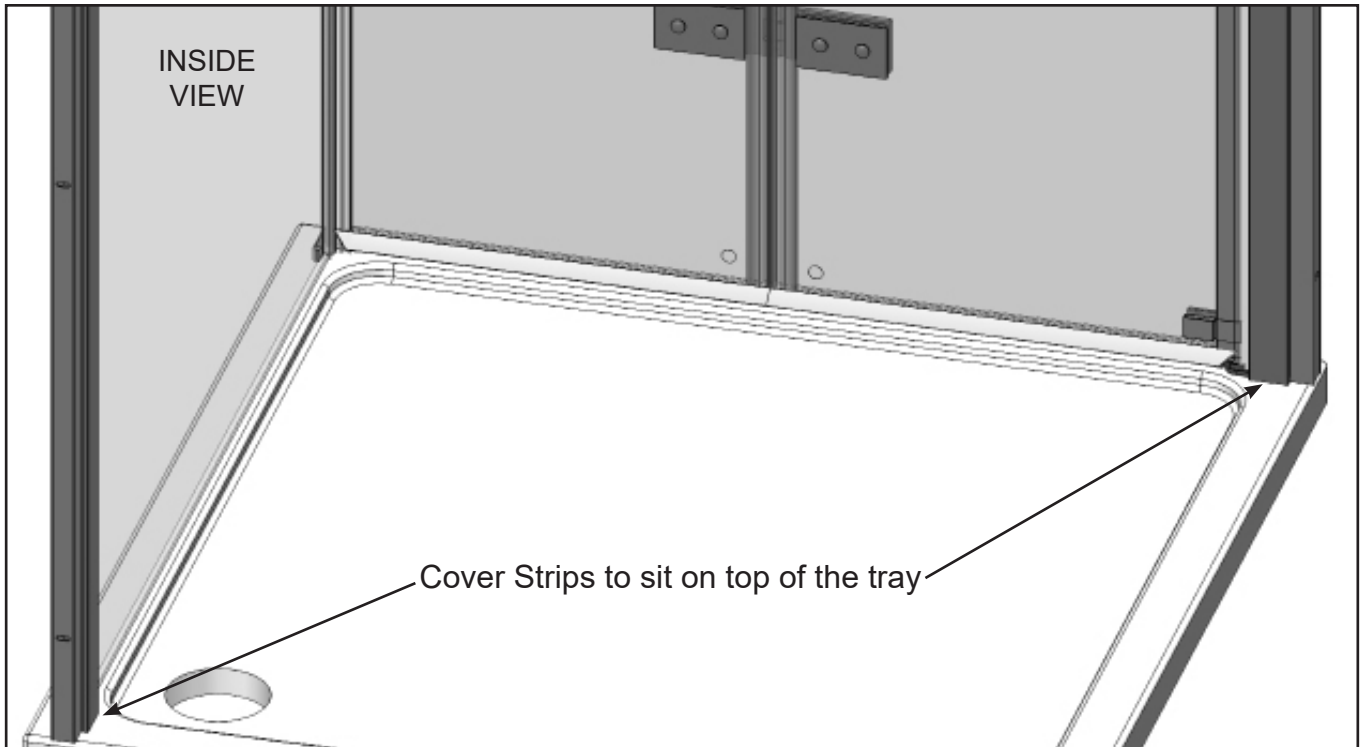
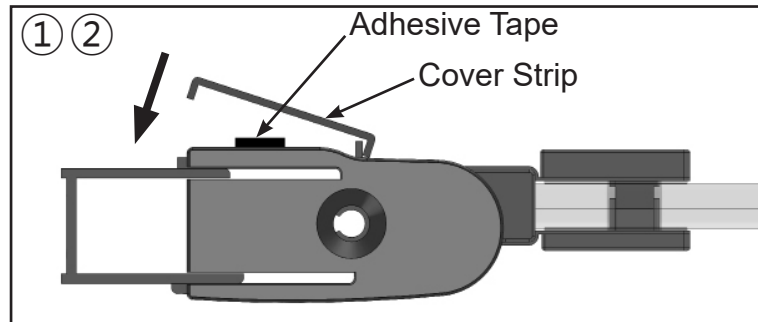
1. Choose the correct Dam for your installation and discard the other.
2. Turn the Dam upside down and add a small amount of sealant on the inside edge (see image).
3. Seal the base of the pivot section to the Tray Top as shown in the image above.
4. Position the Dam against the Vertical Frame at the pivoting side of the door and gently press into the sealant just applied.
 - **IMPORTANT: The Dam must be fitted before the pre-applied sealant starts to cure.**
5. Choose the correct Corner Dam for your installation and add a small amount of sealant to the base and the inside edge and position it against the Panel Glass.
6. Remove the release paper from the back of the adhesive tape (which is on the underside of the Bottom Rail) and place the Rail inside the Dam at the pivot side of the door and inside the Corner Dam.
 - **The Corner Dam may need lifting over the Bottom Rail.**
7. Press the Rail down onto the top of the tray ensuring that it is kept parallel to the outside edge of the tray and that the Dam and Corner Dam remain in position.
 - **Make sure the top of the tray is clean and free from any contaminants before applying the Rail.**
8. Reattach the Panel Magnet and push it down so it sits onto the base of the Corner Dam.
9. Reattach the Door Magnet so it just clears the Corner Dam when the door is opened. Trim both Magnets so that they are level with the top of the glass.

Step 6 - Fitting Door Seals and Sealing



1. Seal the base of the enclosure to the top of the tray from wall to wall on the outside only making sure that you seal around the Dam and Corner Dam as shown. Seal the Dam vertically where it meets the Vertical Frame.
 - **IMPORTANT: Failure to carry out stage 1 may result in serious water damage and is not covered under the terms of the guarantee.**
 - **DO NOT seal the base of the product to the inside, failure to comply may result in the product leaking.**
 - **Allow 24 hours for the sealant to fully cure prior to using the shower.**
2. Cut the Bottom Seal in half using snips to get two Seals. Measure between the Pivot Tube and where the Centre Magnets meet and cut one Bottom Seal to this length. Do the same for the other Bottom Seal, measuring between the Angled Magnet and where the Centre Magnets meet.
 - **Make sure the rebated ends of the seals are used as shown above.**
 - **Ensure the Magnets on the door and frame locate onto each other down the full length of the door.**
 - **If the Seal drags over the Bottom Rail, the door may need raising at the magnet side. Unscrew the top 3-4 door fixing screws, raise the door, re-drill and re-fix.**
3. Remove the Centre Magnets from the Door Glass. Fit the Bottom Seals to the Door Glass and put the Centre Magnets back on the Door Glass. Ensure the Magnets sit on top of the Bottom Seals. Trim the Magnets so they are level with the top of the glass.
4. Ensure the Door Centre Magnets locate fully from top to bottom when the door is closed. They can be knocked towards each other using a wooden batton.

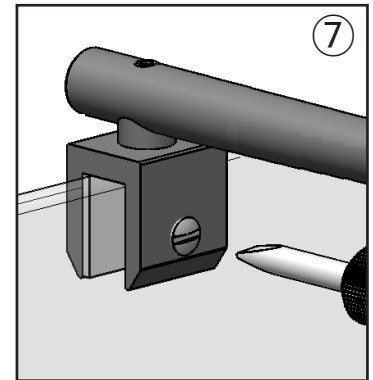
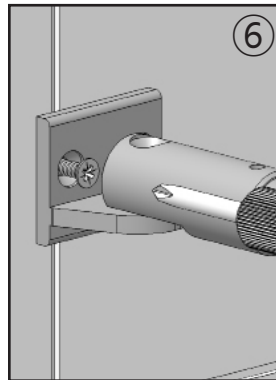
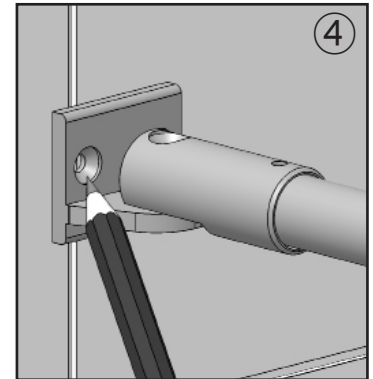
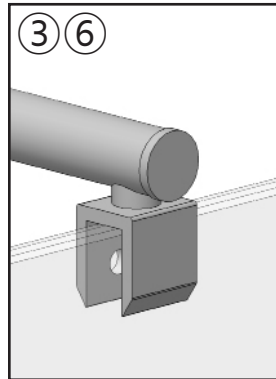
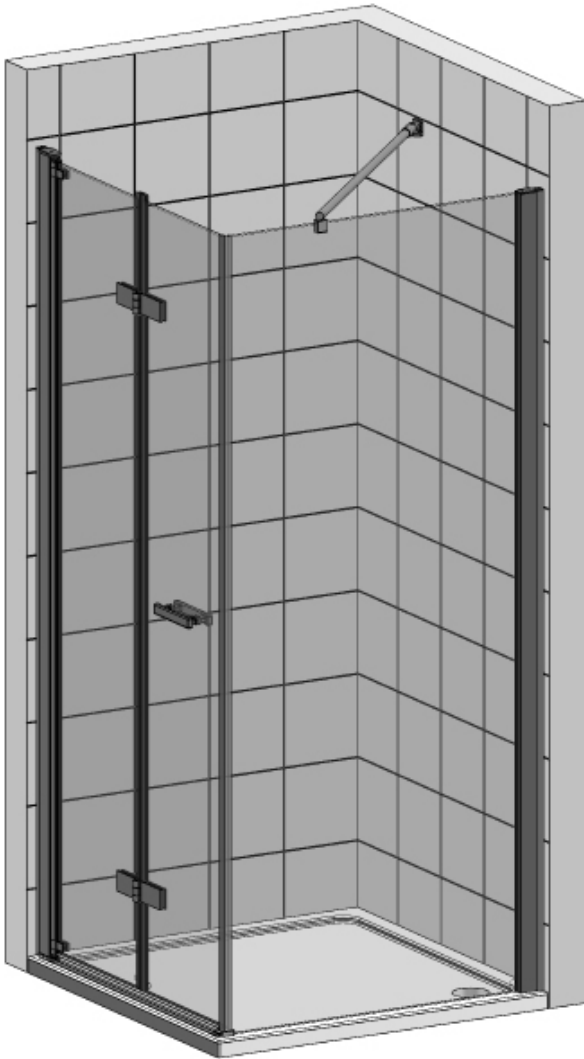
Step 7 - Fitting Screw Covers and Caps



1. Remove the release paper from the Adhesive Tape supplied and place the Tape on the face of the Vertical Door Frame, ensuring the Tape is positioned to one side of the screw heads.
 - **The longer Cover Strip is for the pivot side of the product.**
2. Place one side of the Cover Strip over the leg on the Vertical Frame and press firmly to stick the Cover Strip to the Frame.
 - **Both Cover Strips should sit on top of the tray.**
3. The Top Caps have grooves and can be shortened by cutting along these grooves using scissors or snips (adding a small amount of sealant will help keep the caps in place).
4. Place the Branding Badge in a prominent position on a none moving part of aluminium.

Step 8 - Bracing

NOTE: The Bracing is optional and may not be required. Decide whether you have enough stability in the Panel without it. It can be fitted to either wall and offers more stability the closer it is to the door.



Brace Bar (*Example only)

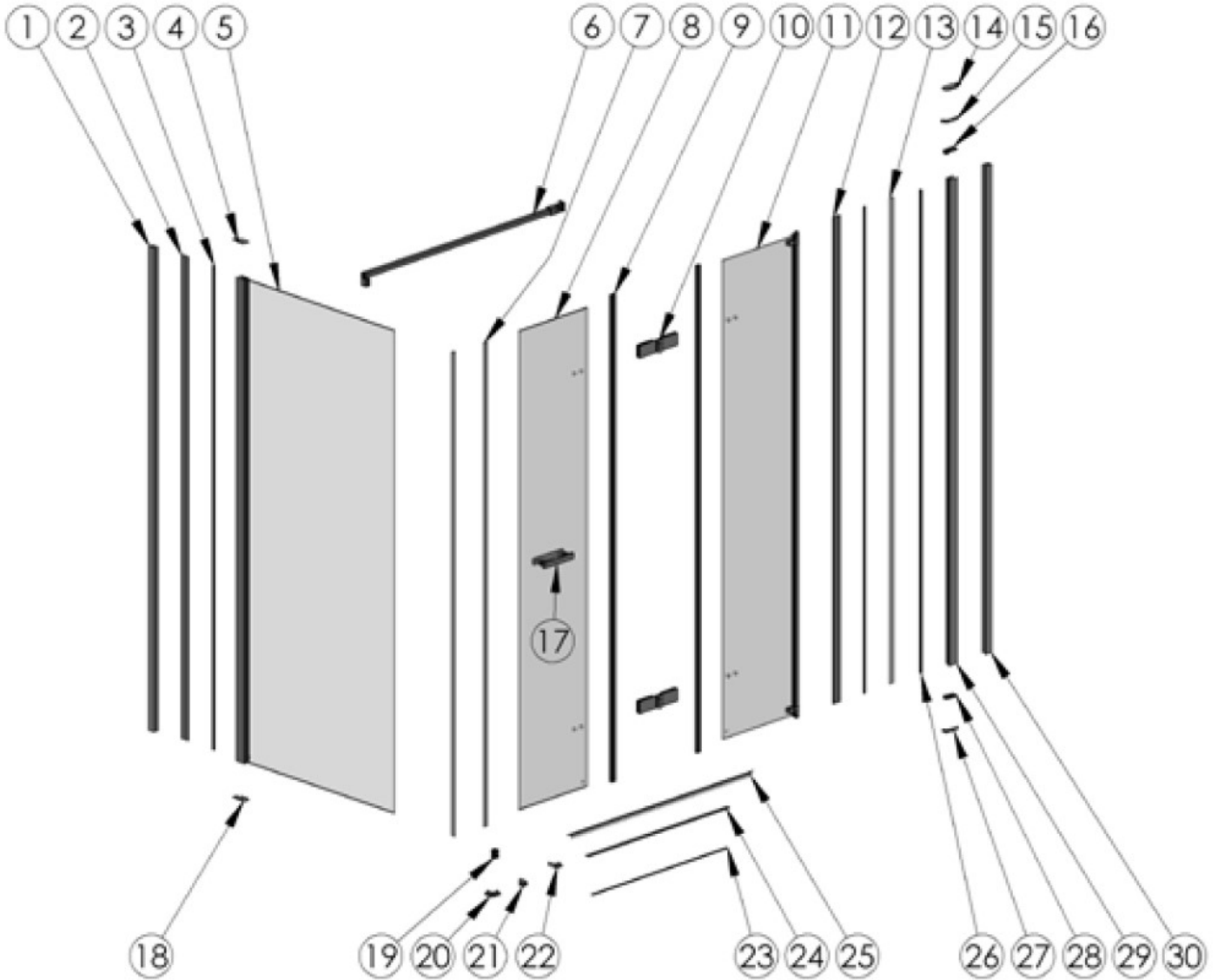
Given Dimension	1040mm
Wall to outside of glass	*878mm
Reduce Brace Bar by	*162mm



- Decide which wall you will be fixing to and measure the distance from the wall to the outside face of the Side Panel Glass at the point the Glass Bracket will be positioned.
- Deduct that measurement from 1040mm, shorten the Brace Bar by the new amount (see*Example above).
 - Use a hacksaw or similar to shorten the brace bar. It is important that it is shortened at the Wall Bracket end - be sure to remove all burrs and sharp edges.
- Place the Bracing Assembly over the glass and up to the wall. Use a Spirit level to keep it level.
- With a pencil mark the wall through the screw holes in the Wall Bracket.
- Remove the Bracing and drill the holes using a 6mm Masonry Drill (not supplied) and fit the Wall Plugs.
- Replace the Bracing Assembly on to the Panel Glass and secure the Wall Bracket to the Back Wall.
- Place the plastic spacers between the Glass and Glass Bracket and tighten the Slotted Screw.
- Tighten all screws and fit the screw cover caps.
 - There is 10mm of adjustment in the Brace Bar assembly to allow for correct adjustment.
 - The Brace Bar must be level, use a Spirit Level and ensure the bubble is in the middle of the two lines.

Spare Parts

If you need to replace any damaged parts please see illustration below for parts list then call Customer Relations on 01325 328033



Part No.	Description	Qty	Part No.	Description	Qty	Part No.	Description	Qty
1	Short Wall Profile	1	11	Door Assembly (Pivot Side)	1	21	Corner Dam (Dual Door)	1
2	Screw Cover (Panel Side)	1	12	Screw Cover (Door Side)	1	22	Corner Dam (Right Hand)	1
3	Screw Cover Adhesive Tape	1	13	Tube Seal	1	23	Bottom Rail Adhesive	1
4	Left Hand Top Cap	1	14	Top Cap (Door Side)	1	24	Bottom Rail	1
5	Panel Assembly	1	15	Dam (Left Hand)	1	25	Bottom Seal	1
6	Bracing Assembly	1	16	Pivot Cap (Left Hand)	1	26	Linear Seal	1
7	Magnet Seal	2	17	Handle Assembly	1	27	Dam (Right Hand)	1
8	Handled Door Glass	1	18	Right Hand Top Cap	1	28	Pivot Cap (Right Hand)	1
9	Centre Magnet	2	19	Setting Block	2	29	Vertical Frame (Pivot Side)	1
10	Hinge Assembly	1	20	Corner Dam (Left Hand)	1	30	Long Wall Profile	1

TROUBLE SHOOTING GUIDE

Problem	Solution
Leaking	<ol style="list-style-type: none">1. Check that the inside gap between the Tray and Wall Profiles has been sealed correctly.2. Ensure the tray is sealed along the tiled walls prior to installation.3. If the inside joint between the enclosure and the tray top is sealed, this will cause leakage - sealant must be removed.4. Ensure the Wall Profiles on the tiled walls are sealed both vertically inside and outside.5. Ensure the joint between the enclosure and tray top is sealed.6. The deflector on the Bottom Seals is semi rigid and can be carefully altered to offer more deflection of the water.7. Check the Magnets are locating and there are no gaps. <p>Important: This enclosure should be water tested conforming to BS EN 14428</p>
Enclosure Alignment on the Tray	<ol style="list-style-type: none">1. Is the enclosure fitted onto a tiled wall?2. Are the Wall Profiles fitted 15mm from the outside edge of the tray?3. Are the Wall Profiles completely vertical?
Door not operating correctly	<ol style="list-style-type: none">1. Ensure both Wall Profiles are completely vertical.2. Ensure the tray is completely level.
Door/Panel Alignment	<ol style="list-style-type: none">1. Ensure both Wall Profiles are completely vertical.2. Ensure the tray is completely level.3. Check the Wall Profiles are 15mm from the tray edge.4. Check the glass is completely vertical.

Some important information to help you Maintain your product.

The following information is all you need to keep your product looking new.

Clean your product using a mild detergent diluted in water and then polished off using a soft cloth. If you live in a hard water area, periodically clean your product using a 50/50 solution of white vinegar and water. The solution should be left on the enclosure for approximately 5 minutes then rinsed off using warm water. This method of cleaning should remove lime scale residue.

Simple Maintenance

Our products are generally maintenance free, however it may be necessary to lubricate wheel assemblies and other moving parts from time to time.

It is strongly recommended that a quality silicone spray is used.

A list of Don'ts:

1. Don't use acidic based products which are unsuitable for cleaning enamel surfaces.
2. Don't use abrasive cleaners or cleaners using bleach or solvents, these products will adversely affect the finish of the aluminium profiles.
3. Don't use scouring pads, powder or any sharp instruments when cleaning the enclosure.

Should you experience any problems during installation please refer to the Trouble Shooting Guide or contact Customer Relations on:

+44 (0) 1325 328033

To enable customer relations to provide you with an excellent level of service it is important that you quote your product Code and Reference Number - these can be found on the Guarantee card.