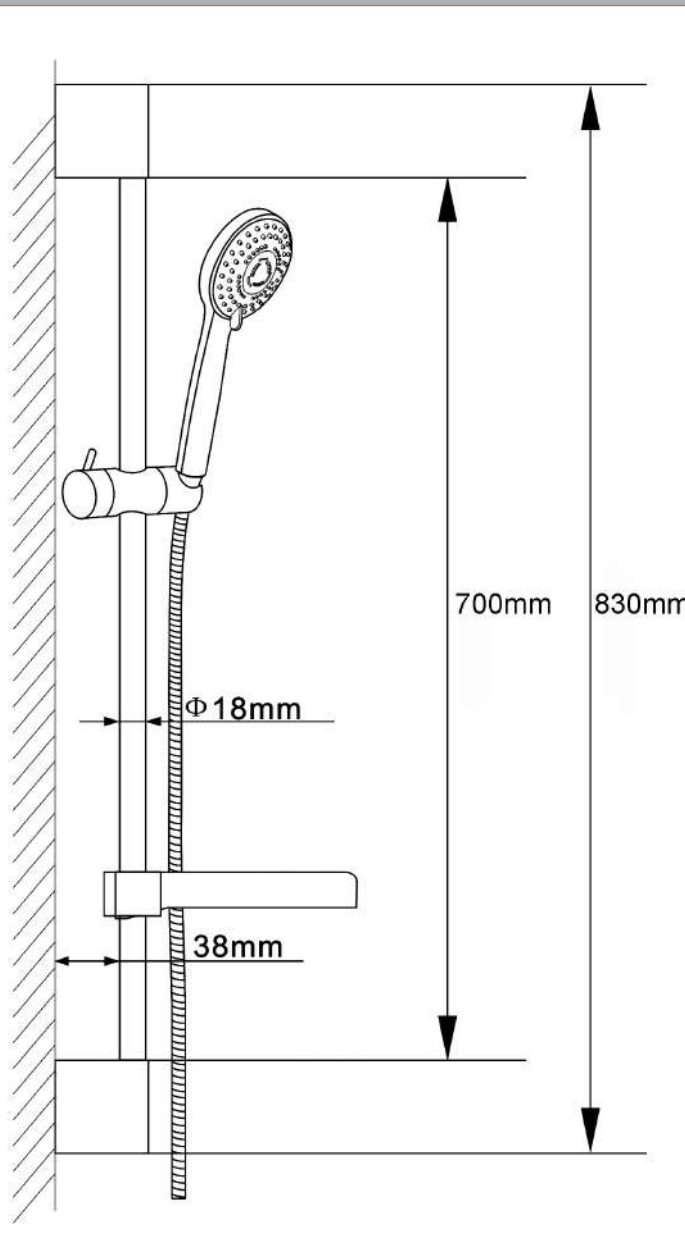
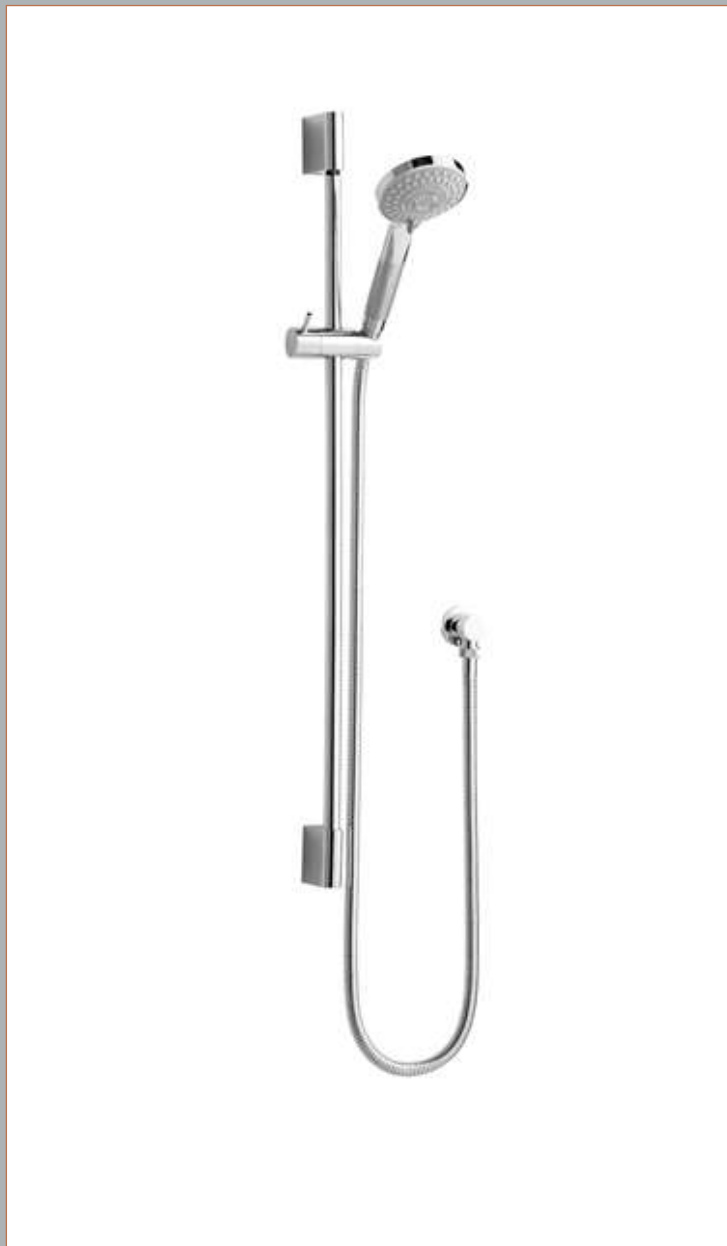


Sales Code: A3041

Description: Slimline Slider Rail Kit



Product Dimensions	
Length (mm):	
Width (mm):	10
Height (mm):	830
Depth (mm):	70
Nett Weight (kg):	1.38
Packaging Dimensions	
Length (mm):	725
Width (mm):	154
Height (mm):	95
Gross Weight (kg):	1.44
Packaging Data	
Box Colour:	White Cardboard Box
Box Qty:	0
Label Size:	0 x 0
Label Colour:	White Label
Label Qty:	0
Outer Box Dimensions (If Applicable)	
Length (mm):	
Width (mm):	330
Height (mm):	500
Depth (mm):	750
Gross Weight (kg):	22
Barcode:	5055146181132
Product Details	
Country of Origin:	China
Fitting Instruction:	Yes
Product Material:	Brass/ABS
Mount Type:	Wall
Outlet Elbow Supplied:	Yes
Easy Clean:	Yes
Head Included:	No
Handset Included:	Yes
Body Jets Included:	No
No of Body Jets:	Not Applicable
Operating Pressure (bar):	0.5
Valve/Cartridge Type:	Not Applicable
Flow Rates (L/min):	0.1 bar: N/A 0.5 bar: N/A 1 bar: N/A 2 bar: N/A 3 bar: N/A
TMV2 Approved:	No Approval No: N/A
TMV3 Approved:	No Approval No: N/A
WRAS Approved:	No Approval No: N/A
Head Function:	Not Applicable
Handset Function:	Multiple Settings
Body Jet Info:	Not Applicable
Pipe Size:	15 mm (1/2" Bsp)
Pipe Centres:	N/A
Colour/Finish:	Chrome
Hose Included:	Yes
No. of Outlets:	1