

PRODUCT DATA SHEET

Core Round Rigid Riser Shower Brushed Brass

Product Code: NU-021

Product Measurements	
Product Weight:	3.722kg
Product Width:	275mm
Product Height:	1280 - 1580mm
Product Depth:	N/A
Product Length:	843mm
Product Transportation	
Barcode:	5060766124629
Country of Origin:	China
Comodity Code:	7324900000
Primary Packed Measurements	
Packaged Weight:	4.85kg
Packaged Length:	770mm
Packaged Width:	415mm
Packaged Height:	105mm
Packaging Weight	
Card:	1.05kg
Plastic:	0.023kg
General Information	
Construction Material:	Brass / Stainless Steel 304 Alloy
Installation Type:	Wall Mounted
Colour / Finish:	Brushed Brass
Shower Specification	
Anti-Scald:	Yes
Shower Diverter Functions:	Yes
Number of Outlets:	2
Thermo Temp Control:	Yes
Cool Touch:	No
Shower Handset Functions:	1
Minimum Working Pressure:	0.5
Maximum Working Pressure:	5
Shape:	Round
Pipe Centre:	150mm
Inlet Connection:	3/4 BSP
Outlet Connection:	1/2 BSP Handset
Adjustable:	Yes
Adjustment:	850 - 1205mm
Handle Type:	Round
Flow Rates	
0.2bar (l/min)	3.7
0.5bar (l/min)	6.08
1bar (l/min)	9.18
2bar (l/min)	14.5
3bar (l/min)	15.54
Compliance DOP	
HBDOC074 / HBDOC075	
Spares	
spares@harrisonbathrooms.com	



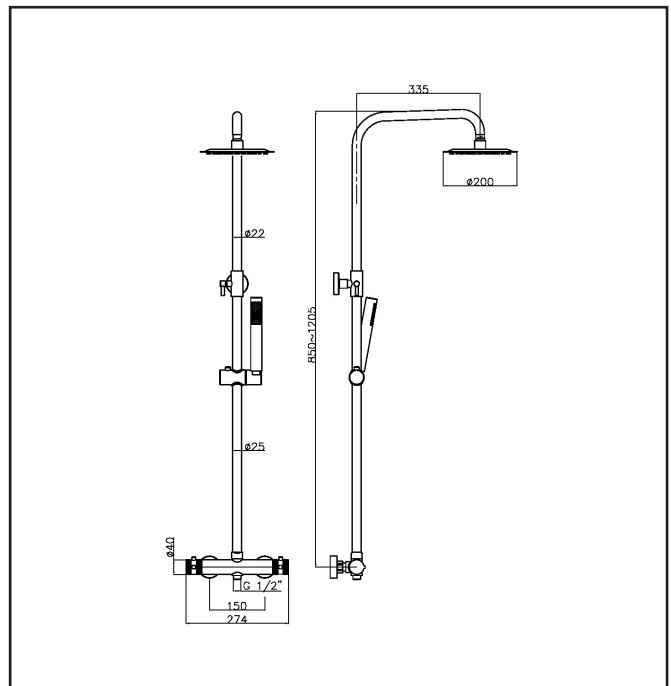
SCUDO
BEAUTIFUL BATHROOMS

0330 124 7290

sales@scudo.co.uk - www.scudo.co.uk

Scudo is the trading name of Harrison Bathrooms Ltd. Whilst we endeavour to ensure that the product information is accurate we accept no liability for any information given. All images are for illustration purposes only. Product images and specification are subject to change. Measurement are in millimetres and are nominal.

Tap Attributes	
Tap Type Description:	Thermostatic Mixer
Includes Waste:	No
Valve / Cartridge Type:	Thermostatic Cartridge
For Part G Building regulations, compliance see flow regulator section of spec binder.	



Dimensions
(measurements in mm)



LIFETIME GUARANTEE

We are confident in our products and we want our customer to be, we proudly give a lifetime guarantee on our taps and showers, further details can be found on our website