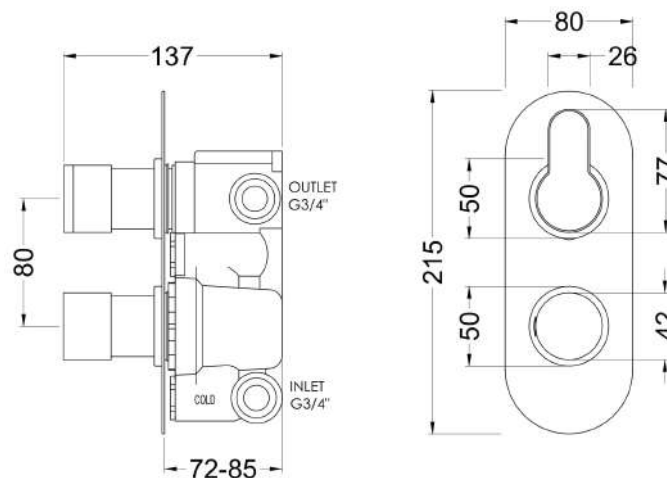
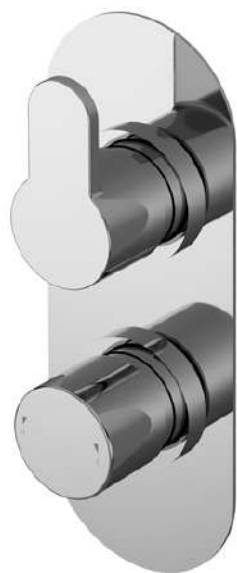


Sales Code: ARVTW02

Description: Arvan Twin Thermostatic Valve W/Div



### Product Dimensions

|                   |     |
|-------------------|-----|
| Length (mm):      |     |
| Width (mm):       | 80  |
| Height (mm):      | 215 |
| Depth (mm):       | 136 |
| Nett Weight (kg): | 2.9 |

### Packaging Dimensions

|                    |     |
|--------------------|-----|
| Length (mm):       | 250 |
| Width (mm):        | 240 |
| Height (mm):       | 110 |
| Gross Weight (kg): | 2.9 |

### Packaging Data

|               |                     |
|---------------|---------------------|
| Box Colour:   | White Cardboard Box |
| Box Qty:      | 0                   |
| Label Size:   | 0 x 0               |
| Label Colour: | White Label         |
| Label Qty:    | 0                   |

### Outer Box Dimensions (If Applicable)

|                    |               |
|--------------------|---------------|
| Length (mm):       |               |
| Width (mm):        | 420           |
| Height (mm):       | 500           |
| Depth (mm):        | 270           |
| Gross Weight (kg): | 16            |
| Barcode:           | 5056211898689 |

### Product Details

|                           |  |
|---------------------------|--|
| Country of Origin:        | United Kingdom   |
| Fitting Instruction:      | Yes  |
| Product Material:         | Brass/ABS  |
| Mount Type:               | Recessed   |
| Outlet Elbow Supplied:    | No   |
| Easy Clean:               | Not Applicable   |
| Head Included:            | No   |
| Handset Included:         | No   |
| Body Jets Included:       | No   |
| No of Body Jets:          | Not Applicable   |
| Operating Pressure (bar): | 0.5  |
| Valve/Cartridge Type:     | 1/4 Turn Ceramic Disc                                  |
| Flow Rates (L/min):       | 0.1 bar: N/A 0.5 bar: 13 1 bar: 17 2 bar: 24 3 bar: 27 |
| TMV2 Approved:            | No Approval No: N/A                                    |
| TMV3 Approved:            | No Approval No: N/A                                    |
| WRAS Approved:            | No Approval No: N/A                                    |
| Head Function:            | Not Applicable   |
| Handset Function:         | Not Applicable   |
| Body Jet Info:            | Not Applicable   |
| Pipe Size:                | 22 mm (3/4" Bsp)                                       |
| Pipe Centres:             | N/A  |
| Colour/Finish:            | Chrome   |
| Hose Included:            | Not Applicable   |
| No. of Outlets:           | 2  |