

PRODUCT DATA SHEET

Middleton Black Round Rigid Riser Shower

Product Code: BLACK010ORB



SCUDO
BEAUTIFUL BATHROOMS

0330 124 7290

sales@scudo.co.uk - www.scudo.co.uk

Scudo is the trading name of Harrison Bathrooms Ltd. Whilst we endeavour to ensure that the product information is accurate we accept no liability for any information given. All images are for illustration purposes only. Product images and specification are subject to change. Measurement are in millimetres and are nominal.

Product Measurements

Product Weight:	3.56kg
Product Width:	263mm
Product Height:	870-1200mm
Product Depth:	407mm
Product Length:	315mm

Product Transportation

Barcode:	5060500644307
Country of Origin:	China
Comodity Code:	8481801190

Primary Packed Measurements

Packaged Weight:	4.16kg
Packaged Length:	310mm
Packaged Width:	120mm
Packaged Height:	144mm

Packaging Weight

Card:	0.432kg
Plastic:	0.008kg

General Information

Construction Material:	Brass / Plastic / Stainless Steel
Installation Type:	Wall Mounted
Colour / Finish:	Black

Shower Specification

Anti-Scald:	Yes
Shower Diverter Functions:	Yes
Number of Outlets:	2
Thermo Temp Control:	Yes
Cool Touch:	No
Shower Handset Functions:	3
Minimum Working Pressure:	0.5
Maximum Working Pressure:	5
Shape:	Round
Pipe Centre:	150mm
Inlet Connection:	3/4 BSP
Outlet Connection:	1/2 BSP
Adjustable:	Yes
Adjustment:	803-1210mm
Handle Type:	Round

Flow Rates

0.2bar (l/min)	5.1
0.5bar (l/min)	9.2
1bar (l/min)	14
2bar (l/min)	20
3bar (l/min)	24.8

Compliance DOP

HBDOC042 / HBDOC043

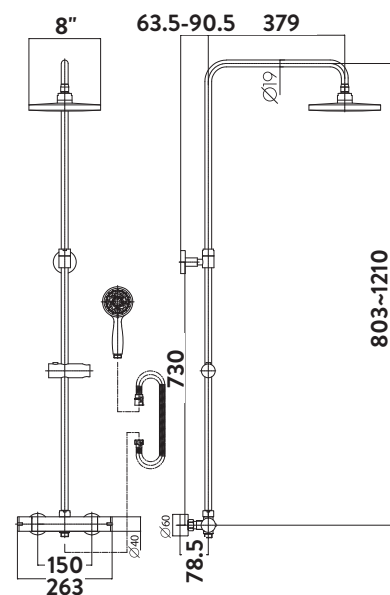
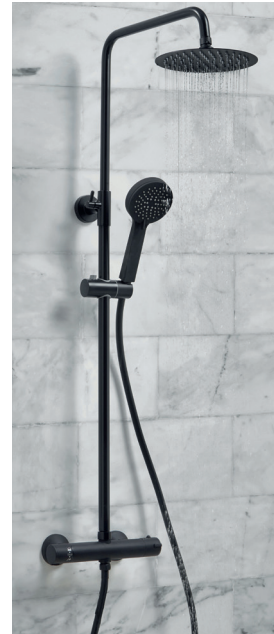
Spares

spares@harrisonbathrooms.com

Tap Attributes

Tap Type Description:	N/A
Includes Waste:	N/A
Valve / Cartridge Type:	N/A

For Part G Building regulations, compliance see flow regulator section of spec binder.



Dimensions

(measurements in mm)



LIFETIME GUARANTEE

We are confident in our products and we want our customer to be, we proudly give a lifetime guarantee on our taps and showers, further details can be found on our website