

DUL3 THBSM C

DU LEVER Tap Range Design Utility Lever TMV2 Thermostatic Bath Shower Mixer Chrome



Features:

- Thermostatic TMV2 control to bath & shower functions
- Dual Control
- Pre-set maximum temperature at 38c which can be overridden
- Operates at a minimum pressure of 0.5bar
- Supplied without shower kit

Product Certifications:



WRAS Certificate No: 1403097
WRAS Expiry Date: 31/03/2019



TMV2 Approval No: BC1883/0717
TMV2 Designation: HP-S & HP-T
TMV2 Expiry Date: 17/11/2021



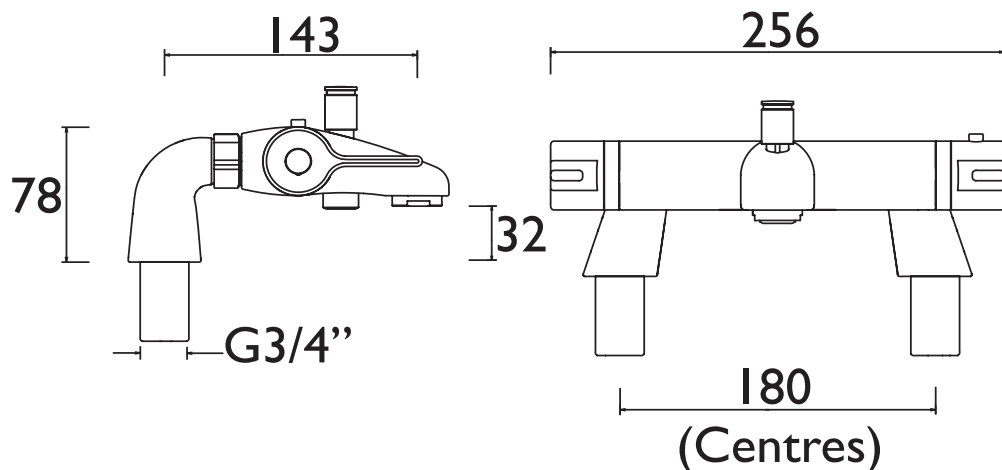
For more products, visit our website:
<http://www.bristan.com>



Specification

Style:	Contemporary
Product Type:	Bathroom Taps
Finish/Colour:	Chrome
Main Construction Material:	Brass
Mount Type:	Deck Mounted
Handle Type:	Lever
Connection Inlet:	3/4" BSP
Connection Outlet:	G 1/2"
Number of Tap Holes:	2
Valve/Cartridge Type:	1/2" Ceramic Valve & Thermostatic Cartridge
Plumbing System Requirements:	Nominally Balanced Supply Pressures Only
Working Pressure Range:	Min. 0.5 bar, Max 5.0 bar
Maximum Hot Water Temperature: °C	80
Maximum Dynamic Pressure: (bar)	5
Maximum Static Pressure: (bar)	10
Flow Type:	Single Flow
Flow Rate: (l/min @ 3 bar)	16.2
Isolation Included:	No

Dimensions (measurements in mm)



Flow Rates (l/min)

System Pressure (bar)	0.5	1	2	3	4	5
DUL3 THBSM C	10.6	15.6	22.5	27.7	32.2	36.2

TECHNICAL DATA SHEET



BRISTAN

TAPS & SHOWERS D5