

PM2 CSHCVO C

PRISM Shower Range

Prism Concealed Concentric Shower Valve Only Chrome



Specification

Style:	Contemporary
Finish/Colour:	Chrome
Main Construction Material:	Brass
No of Controls:	2
Shower Type:	Concentric
Temperature Control:	Thermostatic
Shower Head Type:	
Maximum Temperature Setting: °C	42
Maximum Hot Water Temperature: °C	65
Dynamic Pressure Range: (bar)	Min 0.2 Bar, Max 5.0 Bar
Maximum Static Pressure: (bar)	10
Plumbing System Suitability:	Suitable for all plumbing conditions
Flow Rate (l/min @ 3 bar)	9.9
Flow Regulator:	Yes
Connection Inlet:	15mm Compression
Connection Outlet:	G 1/2"
Isolation Valve Included:	No
Check Valve Included:	Yes

Features:

- Valve will fit in 35mm cavity space
- Supplied with Easyfit wall outlet
- Supplied with 8l/m flow limiters
- Chrome palted to BS EN 248
- Matching taps available

Product Certifications:

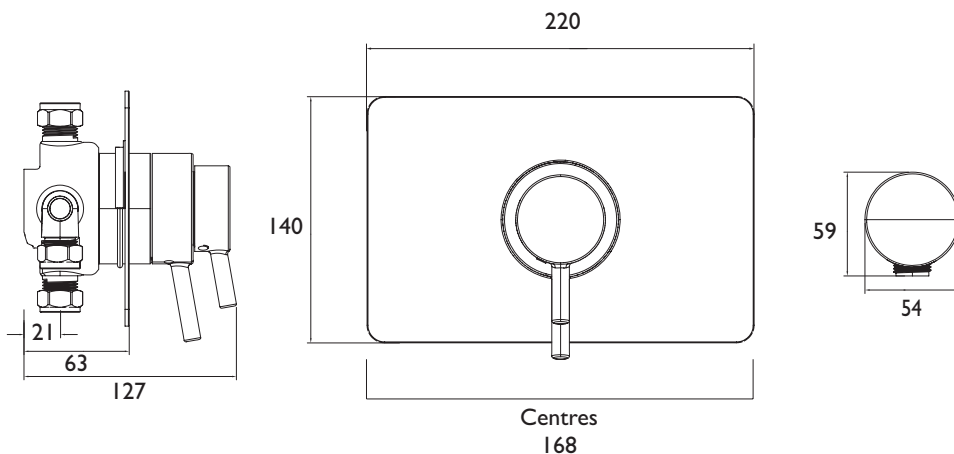
WRAS Certificate No: 1702038



For more products, please visit our website:



Dimensions (measurements in mm)



Flow Rates (l/min)

System Pressure (bar)	0.2	0.5	1	2	3	4	5
With Flow Regulators		5.4	7.8	11.3	11.1	11.2	11.4
Without Flow Regulators	9	15.5	22.5	31.8	39	45	50.3

TECHNICAL DATA SHEET



BRISTAN

TAPS & SHOWERS

D3