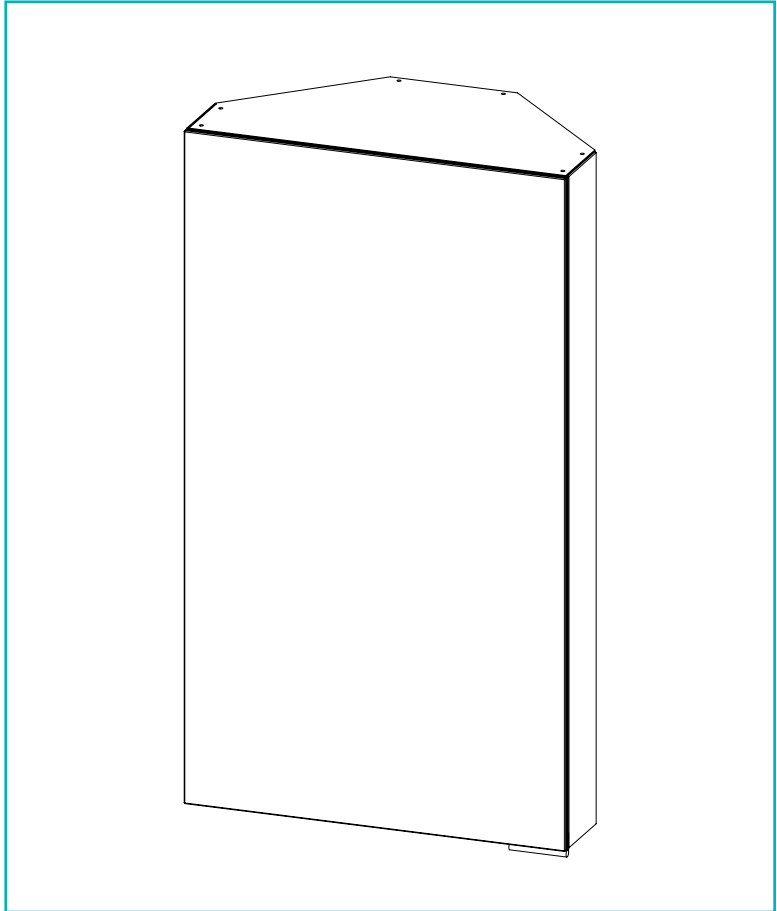


HiB

MAKING
BATHROOMS
BEAUTIFUL

ERIS CORNER

Eris Corner 40: Art No 45050



Thank you for purchasing this HiB product.

Please read through these instructions carefully and refer back to them during installation to ensure that your product is fitted safely and that it retains its high quality finish.

Fitting Instructions

Warnings for Safe Use

- This product is intended for Domestic Use only.
- Please read the instructions and warnings carefully before installing the product and ensure this document is kept with the product for future reference to ensure product longevity and in the interest of safety.
- If you give the product to another person, please give them this manual as well.
- If any modification is made it will invalidate the warranty and may render the product unsafe.
- It is not suitable for use in saunas, steam rooms and shower cubicles.
- When drilling use appropriate eye protection.
- The use of a Residual Current Device (RCD) is advised for any power tools used during the installation of this product.
- Take suitable precautions when handling glass.
- Beware of hidden cables or pipes. Take care if drilling on tiled surfaces in case the drill slips.
- It is recommended that this product is installed by a person who is able to meet the level of competence required in order to comply with relevant regulations. If in doubt consult a qualified tradesperson.
- Do not use if glass is broken or unsafe.
- Do not overload shelves or unit.
- This product is designed for installation into a brick or masonry block wall, if mounting onto other substrate ensure appropriate fixing and batons (if required) are used and the load bearing of the wall is sufficient.
- It is recommended that this product is installed by two people.
- Dispose of packaging in accordance to local authority regulations.
- At end of life dispose of item according to local authority regulations.

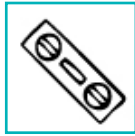
What's in the Box?

- Eris Slim Cabinet
- Glass shelves
- Mounting brackets
- Fittings pack

Tools Required



Pencil



Spirit Level



Drill



Drill bit



Screwdriver

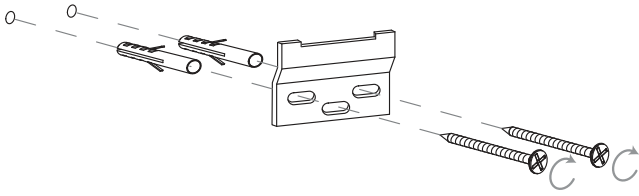


Fig 1. Hanging Brackets

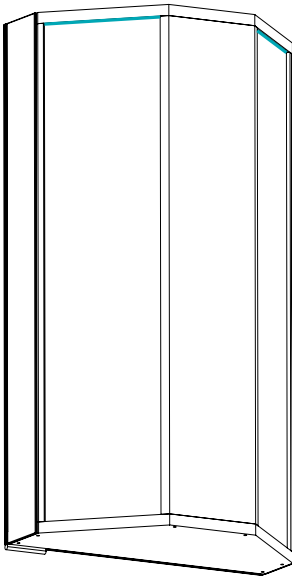


Fig 2. Mounting Points

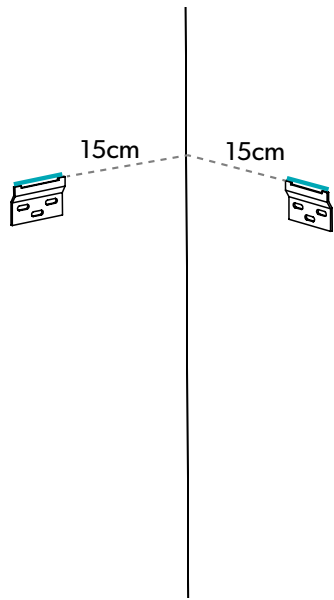
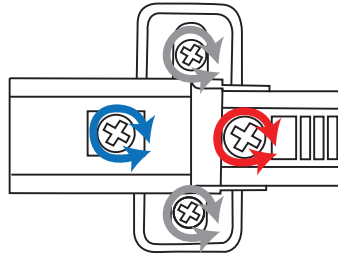
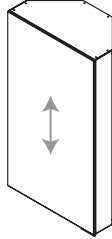


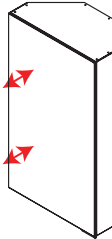
Fig 3. Bracket Positioning

Adjustment

■ Move door(s) up/down



■ Move door away/towards the cabinet



■ Move door(s) left/right

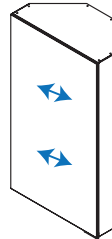


Fig 4. Door Adjustment

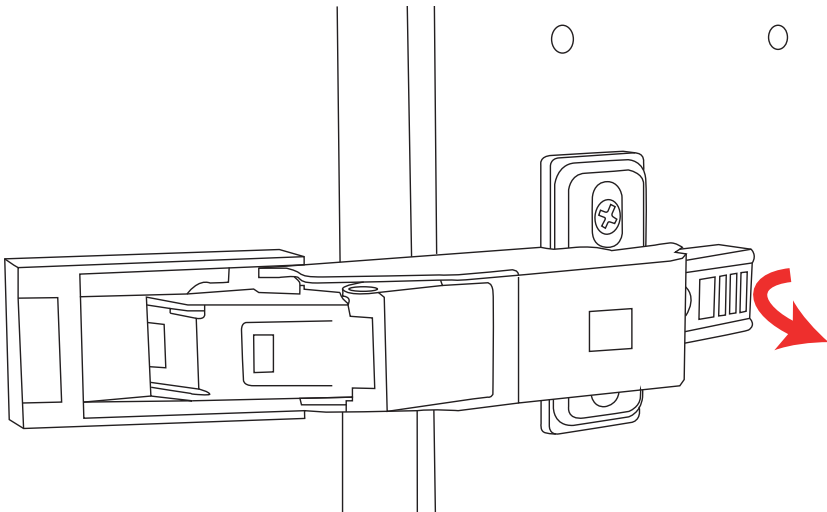


Fig 5. Door Removal

Before drilling, ensure that there are no hidden cables or pipes in the wall.

It is recommended that this product is installed by two people.

1. Position the cabinet in a suitable location. Carefully mark the top of the cabinet when in the desired position using a soft pencil, ensuring it is level.
2. Remove the cabinet from the wall and place on to a soft surface, taking care not to damage the mirror edges.
3. Measure the distance from the top of the cabinet to the mounting grooves located on the back of the cabinet. Using a spirit level, mark horizontal lines coming out from the corner of the wall below the pencil mark for the top of the cabinet. Place the brackets on the second line approximately 15cm from the corner, and carefully mark the position of the holes using a soft pencil, *see Fig. 3*
4. Before drilling, ensure there are no hidden cables or pipes behind the mounting point. Using a suitable drill bit, drill holes in the marked positions to a suitable depth.
5. Insert wall plugs level with the surface of the wall. If fitting to a tiled surface, wall plugs should be inserted below the tile surface to avoid cracking. **NB. For plasterboard walls, specialist fixings should be purchased from any DIY or hardware store.**
6. Fix the brackets to the wall using the screws provided.
7. Temporarily hang the cabinet on the brackets, *see Fig. 2*, to mark the position of the fixing holes on the underside of the cabinet, then remove the cabinet. Using a suitable drill bit, drill a hole and insert wall plugs as per stage 5.
8. Rehang the cabinet in position and secure the base of the cabinet with the supplied screw(s) and screw cap(s).
9. To install the glass shelving, place the shelf fixings provided at the required level on each internal side of the cabinet.
10. Position the glass shelf in the fixings. Do this for all fixings to secure the glass shelf in position.

Care

To preserve the high quality finish of your HiB product, please ensure you regard the following care and cleaning recommendations:

- Avoid leaving excessive standing and surface water on the product for prolonged periods of time.
- Clean the product with water and a soft cloth, a mild detergent may be used if required. Ensure any excess moisture is removed after use.
- **Do not use** abrasive sponges or cleaning agents.

Aftercare

In the unlikely event that this product should fail please contact the retailer from which the item was purchased.



WEEE compliance

Must not be mixed with
general household waste

T: +44 (0)20 8441 0352 F: +44 (0)20 8441 0219 E: sales@hib.co.uk hib.co.uk

Building 3, North London Business Park, Oakleigh Road South, New Southgate, London. N11 1GN

©HIB Copyright: No part of this document may be reprinted or duplicated without HIB consent. All sizes and measurements are approximate, but we do try and make sure they are as accurate as possible. In the interest of continuous product development, HIB reserves the right to alter specifications as necessary. E & OE.