

TECHNICAL DATA SHEET

Greenwich Oak Finish Toilet Seat - 8099NOSC

ROPER RHODES®

NO.	Description	Product Code	Fixings included	Gross Weight	Seat Weight
1	Greenwich Oak Finish Toilet Seat	8099NOSC	YES	4kg	N/A



Spares Codes

Bar Hinge Assembly for White Seat - SP14199

Soft Close Toilet Seat Bar Hinge
Fixing Pack - SP14200

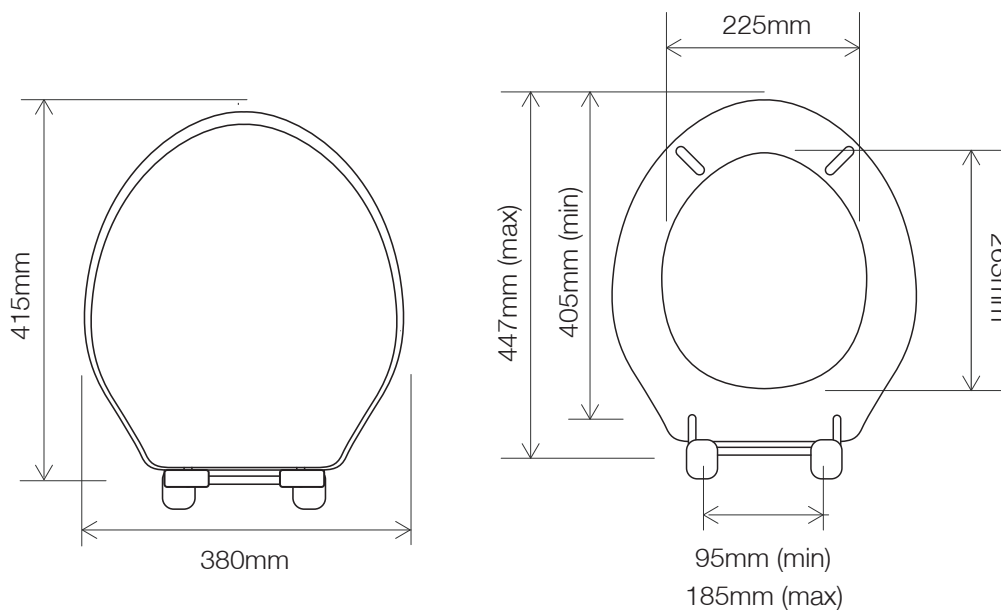
Lid Buffer - SP10536

Ring Buffer - SP10539

Spare O-Ring Base Seal (x1) - SP17378

DIMENSIONS

DIAGRAMS NOT TO SCALE | ALL DIMENSIONS IN MM | TOLERANCE OF ± 5MM
ALL PRODUCTS CONFORM TO THE BRITISH FIXING STANDARDS



*Dimensions are subject to change, customers are advised to measure actual product before commencing installation.

FAQs

Q - What's the maximum test load of the seat?

A - 150kg

Q - What are the hinges made from?

A - Chrome plated zinc alloy/ss cover plate

Q - What is the substrate?

A - American white oak

Key Dimensions Descriptions	Key Dimensions (mm)
Seat/Lid Front to Back	415mm
Seat/Lid Left to Right	380mm
Ring Hole Front to Back	263mm
Ring Hole Left to Right	225mm
Seat Ring Thickness	20mm
Min/Max Adjustment for Fixings	95/185, 405/447

TECHNICAL DATA SHEET

Greenwich Limed Oak Finish Toilet Seat - 8099LISC

ROPER RHODES®

NO.	Description	Product Code	Fixings included	Gross Weight	Seat Weight
1	Greenwich Limed Oak Finish Toilet Seat	8099LISC	YES	4kg	N/A



Spares Codes

Bar Hinge Assembly for White Seat - SP14199

Soft Close Toilet Seat Bar Hinge
Fixing Pack - SP14200

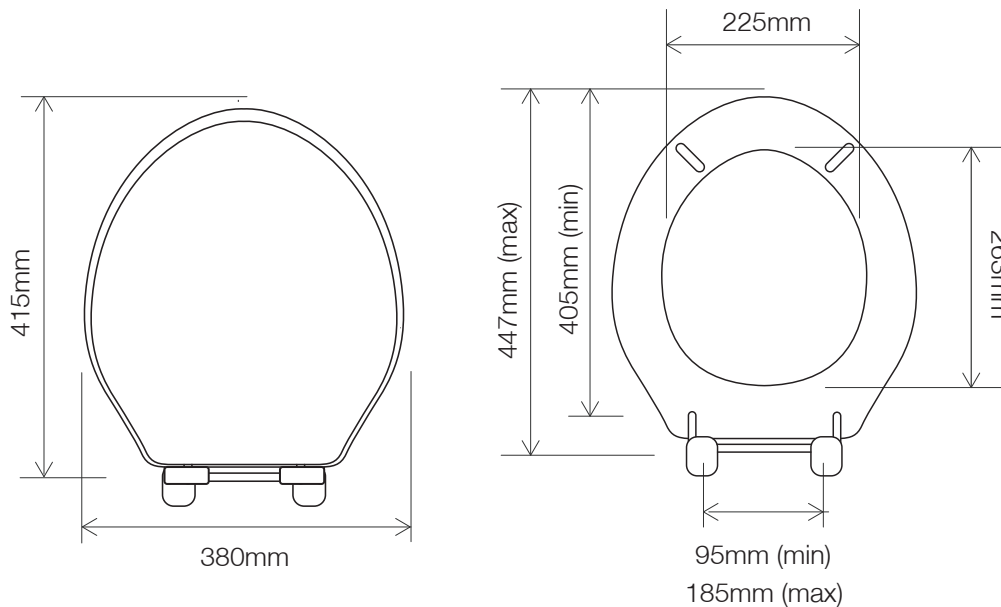
Lid Buffer - SP10536

Ring Buffer - SP10539

Spare O-Ring Base Seal (x1) - SP17378

DIMENSIONS

DIAGRAMS NOT TO SCALE | ALL DIMENSIONS IN MM | TOLERANCE OF ± 5 MM
ALL PRODUCTS CONFORM TO THE BRITISH FIXING STANDARDS



*Dimensions are subject to change, customers are advised to measure actual product before commencing installation.

FAQs

Q - What's the maximum test load of the seat?

A - 150kg

Q - What are the hinges made from?

A - Chrome plated zinc alloy/ss cover plate

Q - What is the substrate?

A - American white oak

Key Dimensions Descriptions	Key Dimensions (mm)
Seat/Lid Front to Back	415mm
Seat/Lid Left to Right	380mm
Ring Hole Front to Back	263mm
Ring Hole Left to Right	225mm
Seat Ring Thickness	20mm
Min/Max Adjustment for Fixings	95/185, 405/447

TECHNICAL DATA SHEET

Greenwich Antique Pine Finish Toilet Seat - 8099ASC

ROPER RHODES®

NO.	Description	Product Code	Fixings included	Gross Weight	Seat Weight
1	Greenwich Antique Pine Finish Toilet Seat	8099ASC	YES	3.85kg	N/A



Spares Codes

Bar Hinge Assembly for White Seat - SP14199

Soft Close Toilet Seat Bar Hinge
Fixing Pack - SP14200

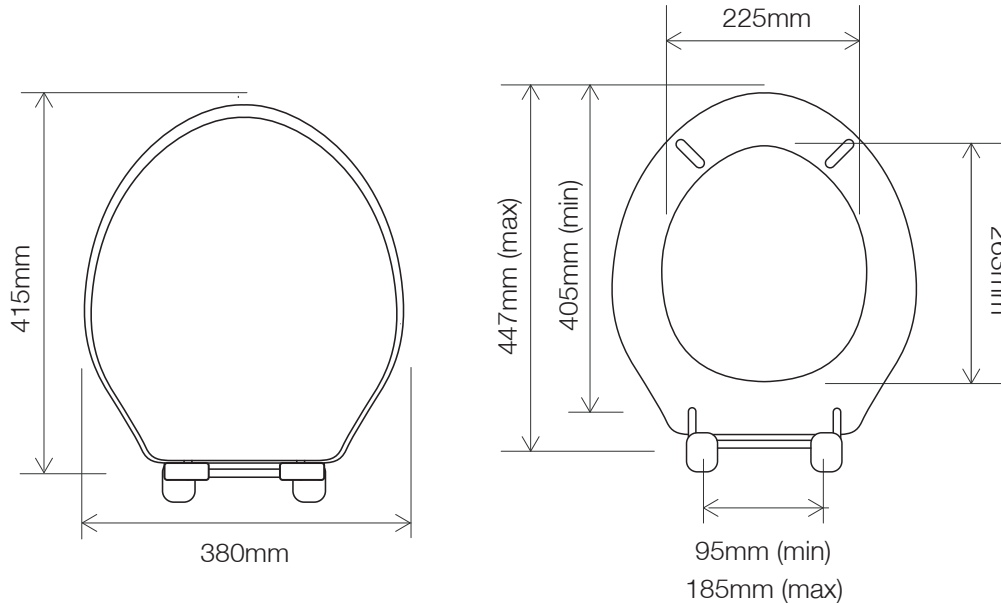
Lid Buffer - SP10536

Ring Buffer - SP10539

Spare O-Ring Base Seal (x1) - SP17378

DIMENSIONS

DIAGRAMS NOT TO SCALE | ALL DIMENSIONS IN MM | TOLERANCE OF ± 5MM
ALL PRODUCTS CONFORM TO THE BRITISH FIXING STANDARDS



*Dimensions are subject to change, customers are advised to measure actual product before commencing installation.

FAQs

Q - What's the maximum test load of the seat?

A - 150kg

Q - What are the hinges made from?

A - Chrome plated zinc alloy/ss cover plate

Q - What is the substrate?

A - Solid beech - stained

Key Dimensions Descriptions	Key Dimensions (mm)
Seat/Lid Front to Back	415mm
Seat/Lid Left to Right	380mm
Ring Hole Front to Back	263mm
Ring Hole Left to Right	225mm
Seat Ring Thickness	20mm
Min/Max Adjustment for Fixings	95/185, 405/447

TECHNICAL DATA SHEET

Greenwich Mahogany Finish Toilet Seat - 8099MSC

ROPER RHODES®

NO.	Description	Product Code	Fixings included	Gross Weight	Seat Weight
1	Greenwich Mahogany Finish Toilet Seat	8099MSC	YES	3.85kg	N/A



Spares Codes

Bar Hinge Assembly for White Seat - SP14199

Soft Close Toilet Seat Bar Hinge
Fixing Pack - SP14200

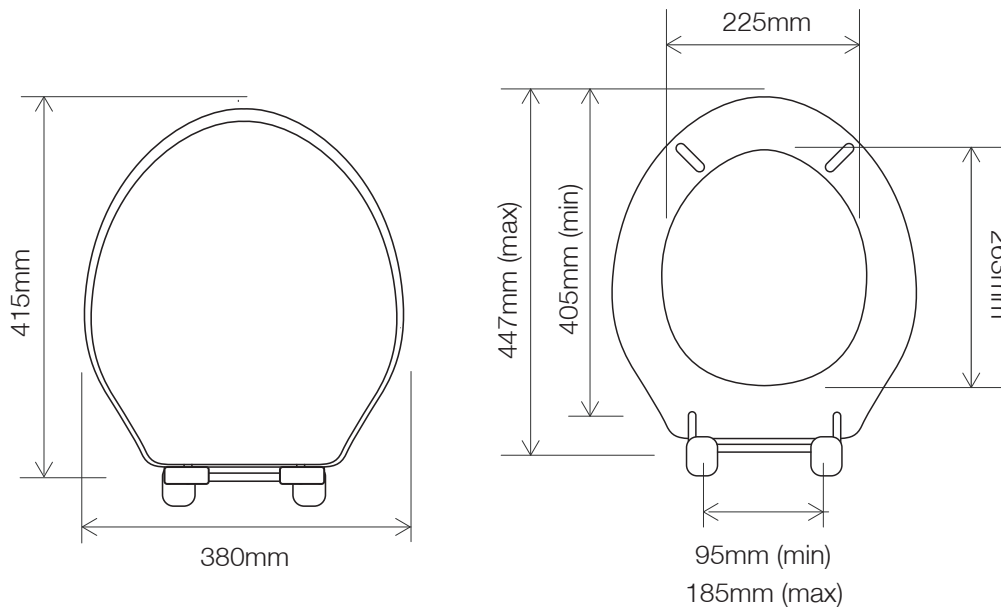
Lid Buffer - SP10537

Ring Buffer - SP10540

Spare O-Ring Base Seal (x1) - SP17378

DIMENSIONS

DIAGRAMS NOT TO SCALE | ALL DIMENSIONS IN MM | TOLERANCE OF ± 5MM
ALL PRODUCTS CONFORM TO THE BRITISH FIXING STANDARDS



*Dimensions are subject to change, customers are advised to measure actual product before commencing installation.

FAQs

Q - What's the maximum test load of the seat?

A - 150kg

Q - What are the hinges made from?

A - Chrome plated zinc alloy/ss cover plate

Q - What is the substrate?

A - Solid beech - stained

Key Dimensions Descriptions	Key Dimensions (mm)
Seat/Lid Front to Back	415mm
Seat/Lid Left to Right	380mm
Ring Hole Front to Back	263mm
Ring Hole Left to Right	225mm
Seat Ring Thickness	20mm
Min/Max Adjustment for Fixings	95/185, 405/447

TECHNICAL DATA SHEET

Greenwich Walnut Finish Toilet Seat - 8099AWSC

ROPER RHODES®

NO.	Description	Product Code	Fixings included	Gross Weight	Seat Weight
1	Greenwich Walnut Finish Toilet Seat	8099AWSC	YES	3.55kg	N/A



Spares Codes

Bar Hinge Assembly for White Seat - SP14199

Soft Close Toilet Seat Bar Hinge
Fixing Pack - SP14200

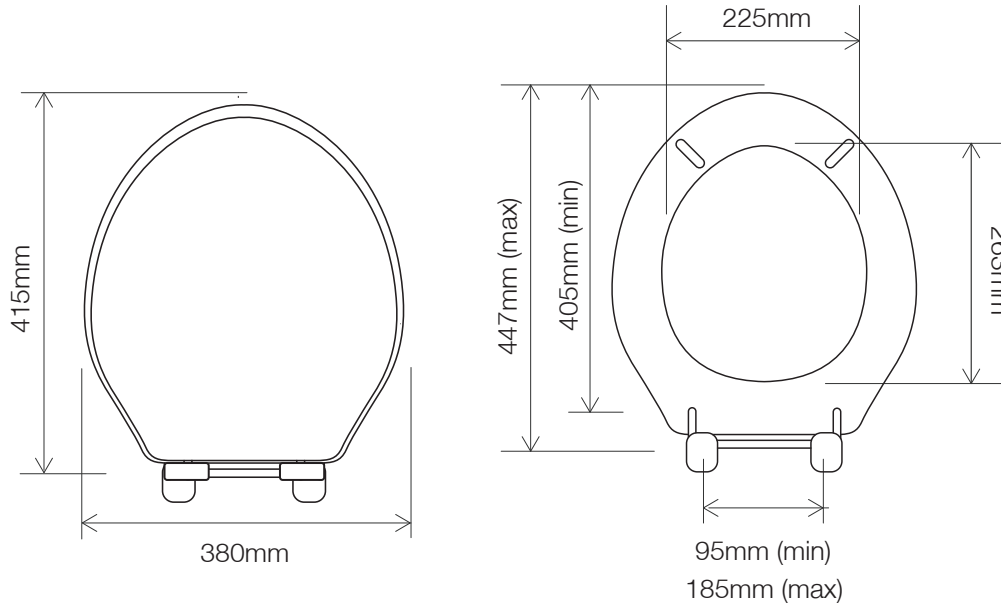
Lid Buffer - SP10537

Ring Buffer - SP10540

Spare O-Ring Base Seal (x1) - SP17378

DIMENSIONS

DIAGRAMS NOT TO SCALE | ALL DIMENSIONS IN MM | TOLERANCE OF ± 5 MM
ALL PRODUCTS CONFORM TO THE BRITISH FIXING STANDARDS



*Dimensions are subject to change, customers are advised to measure actual product before commencing installation.

FAQs

Q - What's the maximum test load of the seat?

A - 150kg

Q - What are the hinges made from?

A - Chrome plated zinc alloy/ss cover plate

Q - What is the substrate?

A - Solid American walnut

Key Dimensions Descriptions	Key Dimensions (mm)
Seat/Lid Front to Back	415mm
Seat/Lid Left to Right	380mm
Ring Hole Front to Back	263mm
Ring Hole Left to Right	225mm
Seat Ring Thickness	20mm
Min/Max Adjustment for Fixings	95/185, 405/447

TECHNICAL DATA SHEET

Greenwich Honey Oak Finish Toilet Seat - 8099HOSC

ROPER RHODES®

NO.	Description	Product Code	Fixings included	Gross Weight	Seat Weight
1	Greenwich Honey Oak Finish Toilet Seat	8099HOSC	YES	4kg	N/A



Spares Codes

Bar Hinge Assembly for White Seat - SP14199

Soft Close Toilet Seat Bar Hinge
Fixing Pack - SP14200

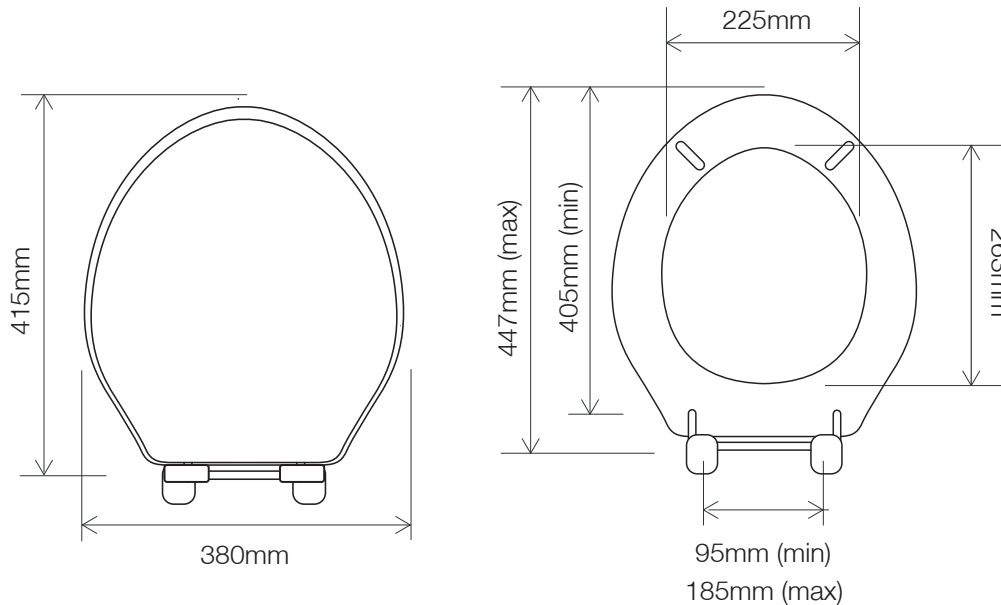
Lid Buffer - SP10536

Ring Buffer - SP10539

Spare O-Ring Base Seal (x1) - SP17378

DIMENSIONS

DIAGRAMS NOT TO SCALE | ALL DIMENSIONS IN MM | TOLERANCE OF ± 5MM
ALL PRODUCTS CONFORM TO THE BRITISH FIXING STANDARDS



*Dimensions are subject to change, customers are advised to measure actual product before commencing installation.

FAQs

Q - What's the maximum test load of the seat?

A - 150kg

Q - What are the hinges made from?

A - Chrome plated zinc alloy/ss cover plate

Q - What is the substrate?

A - American white oak

Key Dimensions Descriptions	Key Dimensions (mm)
Seat/Lid Front to Back	415mm
Seat/Lid Left to Right	380mm
Ring Hole Front to Back	263mm
Ring Hole Left to Right	225mm
Seat Ring Thickness	20mm
Min/Max Adjustment for Fixings	95/185, 405/447