

# PRODUCT DATA SHEET

## Ambience LED Cabinet 60x48x35mm Rustic Oak

Product Code: AMBIENCE-LEDCAB-60X48-GREYOAK

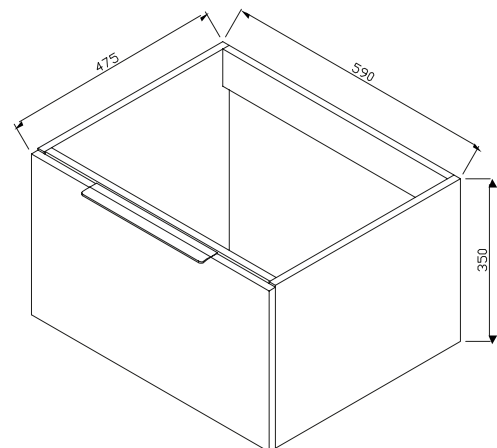
0330 124 7290

sales@scudo.co.uk - www.scudo.co.uk



Scudo is the trading name of Harrison Bathrooms Ltd. Whilst we endeavour to ensure that the product information is accurate we accept no liability for any information given. All images are for illustration purposes only. Product images and specification are subject to change. Measurement are in millimetres and are nominal.

Product Measurements	
Product Weight:	16.4kg
Product Width:	480mm
Product Height:	350mm
Product Depth:	N/A
Product Length:	600mm
Product Transportation	
Barcode:	5060713722748
Country of Origin:	China
Comodity Code:	9403609000
Primary Packed Measurements	
Packaged Weight:	17.7kg
Packaged Length:	645mm
Packaged Width:	530mm
Packaged Height:	400mm
Packaging Weight	
Card:	0.9kg
Paper:	N/A
Wood:	N/A
Plastic:	0.01kg
General Information	
Construction Material:	Vinyl wrapped MDF
Installation Type:	Wall Mounted
Colour/Finish:	Melamine/Oak
Furniture Attributes	
Supplied Fully Assembled:	Yes
Numbers of Drawers:	1
Number of Doors:	0
Soft Close Doors/Drawers:	Yes
Moisture Resistant:	Yes
Internal Shelves:	N/A
Door Opening Width:	N/A
Draw Opening Distance:	325mm
Advised Concealed Cistern:	N/A
False Draws:	No
Number of False Draws:	N/A
Hinge Location:	N/A
Compatible Furniture Code:	AMBIENCE-FRAME-60X48X20
Compatible Basin Part Code:	AMBIENCE-BASIN60X48-GREY
Handles	
Handle Style:	Top Plate
Handle Finish:	Black
Handle Material:	Steel
Number of Handles:	1
Compliance DOP	
N/A	



**Dimensions**  
(measurements in mm)



### LIFETIME GUARANTEE

We are confident in our products and we want our customer to be, we proudly give a lifetime guarantee on our taps and showers, further details can be found on our website