

QST BAS C

QUEST Tap Range Quest Basin Mixer With Clicker Waste Chrome



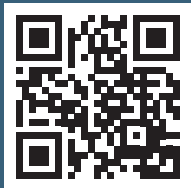
Features:

- Long life ceramic cartridge for added durability and ease of use
- Metal fixing nut for added durability
- Easy to use metal handle
- Includes clicker waste

Product Certifications:



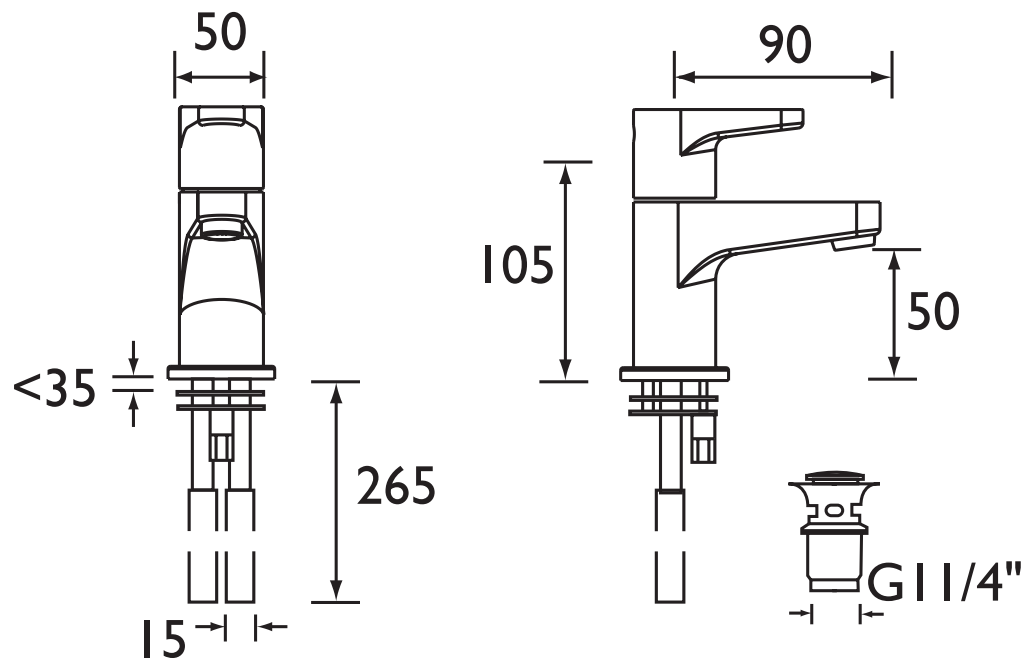
For more products, visit our website:
<http://www.bristan.com>



Specification

Product Type:	Bathroom Tap
Main Construction Material:	Brass
Mount Type:	Deck Mounted
Handle Type:	Single Lever Handle
Connection Inlet:	15mm Compression
Connection Outlet:	N/A
Number of Tap Holes:	1
Valve/Cartridge Type:	35mm Ceramic Disc Cartridge
Plumbing System Requirements:	Suitable for all plumbing systems
Working Pressure Range:	Min. 0.2 Bar - Max. 8.0 Bar
Maximum Hot Water Temperature: °C	80
Maximum Static Pressure: (bar)	10
Flow Type:	Single Flow

Dimensions (measurements in mm)



Flow Rates (l/min)

System Pressure (bar)	0.2	0.5	1	2	3	5
QST BAS C (Mixed)	6.34	10.49	15.17	21.73	26.68	34.34

TECHNICAL DATA SHEET



BRISTAN

D9