

PRODUCT DATA SHEET

S8 Double Door Quadrant 900x760mm

Product Code: SCUD9X76Q



SCUDO
BEAUTIFUL BATHROOMS

0330 124 7290

sales@scudo.co.uk - www.scudo.co.uk

Scudo is the trading name of Harrison Bathrooms Ltd. Whilst we endeavour to ensure that the product information is accurate we accept no liability for any information given. All images are for illustration purposes only. Product images and specification are subject to change. Measurement are in millimetres and are nominal.

Product Measurements

Product Weight:	48.6kg
Product Width:	760mm
Product Height:	1900mm
Product Depth:	6mm
Product Length:	900mm

Product Transportation

Barcode:	5060500649258
Country of Origin:	China
Comodity Code:	7610909095

Primary Packed Measurements

Packaged Weight:	51.6kg
Packaged Length:	1980mm
Packaged Width:	440mm
Packaged Height:	195mm

Packaging Weight

Card:	2.909kg
Paper:	N/A
Wood:	N/A
Plastic:	N/A

General Information

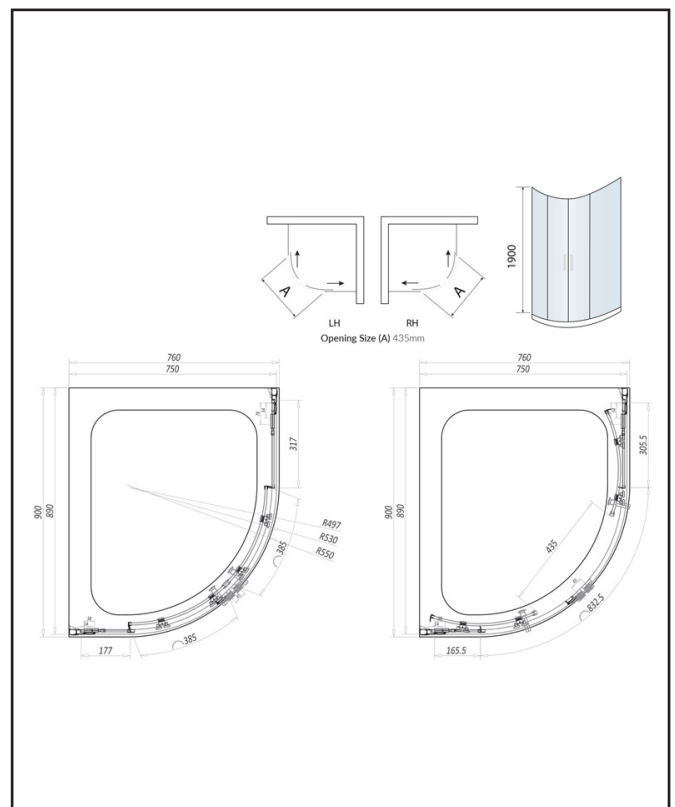
Construction Material:	Aluminium / Glass
Installation Type:	Wall Mounted
Colour / Finish:	Chrome / Clear Glass

Enclosure Attributes

Adjustment:	870-890mm / 730-750mm
Aqua-Shield:	Yes
Hinge Type:	Sliding
Door Type:	Double Door
Frame Type:	Framed
Glass Type:	Clear
Radius:	550mm
Entry Width:	430mm
Door In Swing:	N/A
Door Out Swing:	N/A
Enclosure Shape:	Quadrant
Glass Thickness:	8mm
Profile Finish/Colour:	Chrome
Profile Material:	Aluminium

Compliance DOP

HBDOC019 / HBDOC020



Dimensions

(measurements in mm)



LIFETIME GUARANTEE

We are confident in our products and we want our customer to be, we proudly give a lifetime guarantee on our taps and showers, further details can be found on our website