

# PRODUCT DATA SHEET

## S8 Single Door Quadrant 1000x800mm Pack 1

Product Code: SCUD10X8SDQ-P1



**SCUDO**  
BEAUTIFUL BATHROOMS

0330 124 7290

sales@scudo.co.uk - www.scudo.co.uk

Scudo is the trading name of Harrison Bathrooms Ltd. Whilst we endeavour to ensure that the product information is accurate we accept no liability for any information given. All images are for illustration purposes only. Product images and specification are subject to change. Measurement are in millimetres and are nominal.

### Product Measurements

Product Weight:	20.3kg
Product Width:	800mm
Product Height:	1900mm
Product Depth:	6mm
Product Length:	1000mm

### Product Transportation

Barcode:	5060500648923
Country of Origin:	China
Comodity Code:	7610909095

### Primary Packed Measurements

Packaged Weight:	23.3kg
Packaged Length:	1980mm
Packaged Width:	540mm
Packaged Height:	195mm

### Packaging Weight

Card:	2.5kg
Paper:	N/A
Wood:	N/A
Plastic:	N/A

### General Information

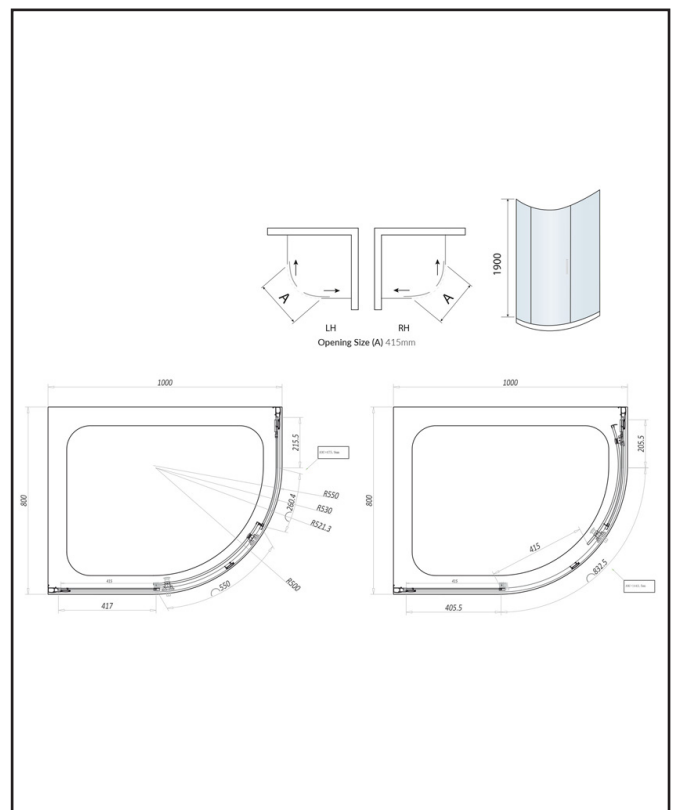
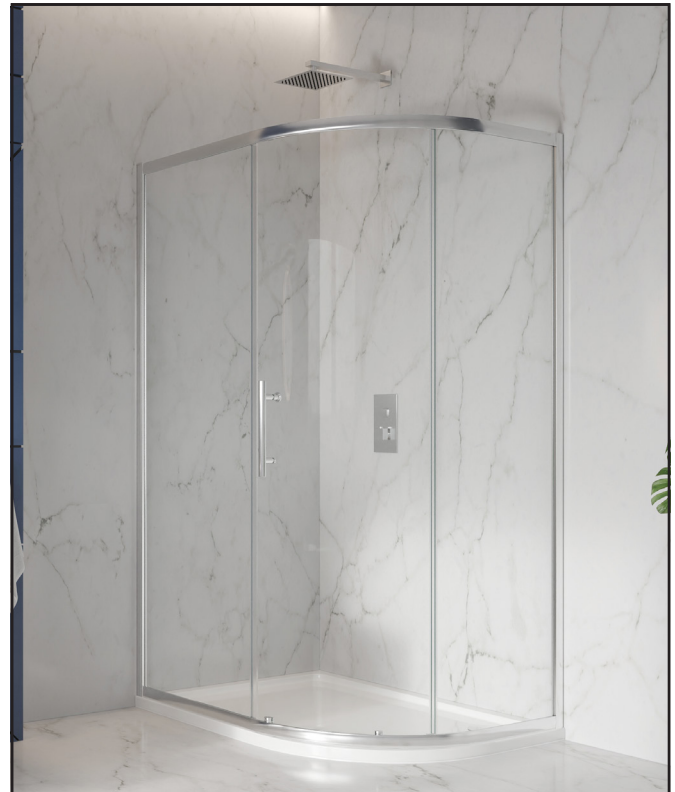
Construction Material:	Aluminium / Glass
Installation Type:	Wall Mounted
Colour / Finish:	Chrome / Clear Glass

### Enclosure Attributes

Adjustment:	970-990mm / 770-790mm
Aqua-Shield:	Yes
Hinge Type:	Sliding
Door Type:	Single Door
Frame Type:	Framed
Glass Type:	Clear
Radius:	550mm
Entry Width:	415mm
Door In Swing:	N/A
Door Out Swing:	N/A
Enclosure Shape:	Quadrant
Glass Thickness:	8mm
Profile Finish/Colour:	Chrome
Profile Material:	Aluminium

### Compliance DOP

HBDOC019 / HBDOC020



## Dimensions

(measurements in mm)



### LIFETIME GUARANTEE

We are confident in our products and we want our customer to be, we proudly give a lifetime guarantee on our taps and showers, further details can be found on our website

# PRODUCT DATA SHEET

## S8 Single Door Quadrant 1000x800mm Pack 2

Product Code: SCUD10X8SDQ-P1



**SCUDO**  
BEAUTIFUL BATHROOMS

0330 124 7290

sales@scudo.co.uk - www.scudo.co.uk

Scudo is the trading name of Harrison Bathrooms Ltd. Whilst we endeavour to ensure that the product information is accurate we accept no liability for any information given. All images are for illustration purposes only. Product images and specification are subject to change. Measurement are in millimetres and are nominal.

### Product Measurements

Product Weight:	31.6kg
Product Width:	800mm
Product Height:	1900mm
Product Depth:	6mm
Product Length:	1000mm

### Product Transportation

Barcode:	5060766123073
Country of Origin:	China
Comodity Code:	7610909095

### Primary Packed Measurements

Packaged Weight:	34.7kg
Packaged Length:	1960mm
Packaged Width:	575mm
Packaged Height:	120mm

### Packaging Weight

Card:	2.5kg
Paper:	N/A
Wood:	N/A
Plastic:	N/A

### General Information

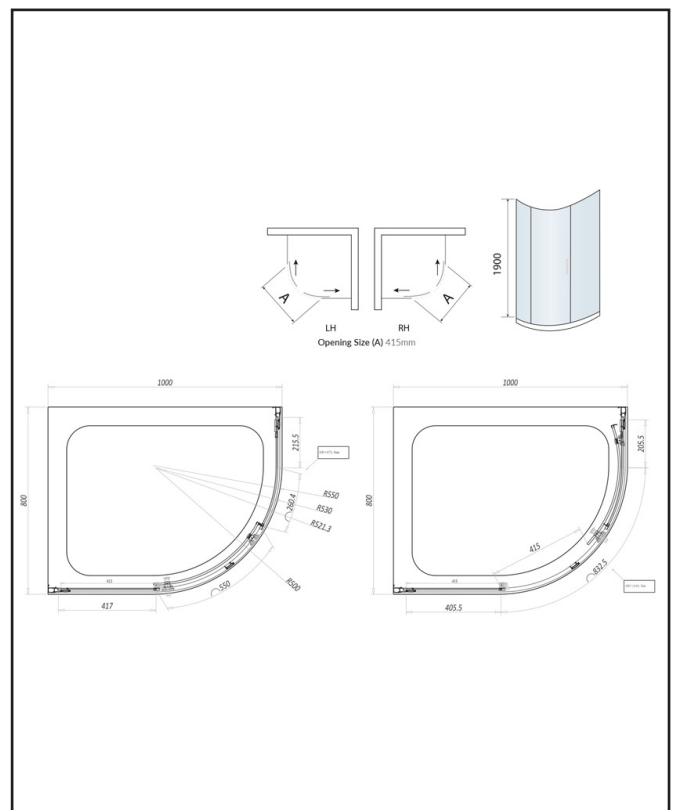
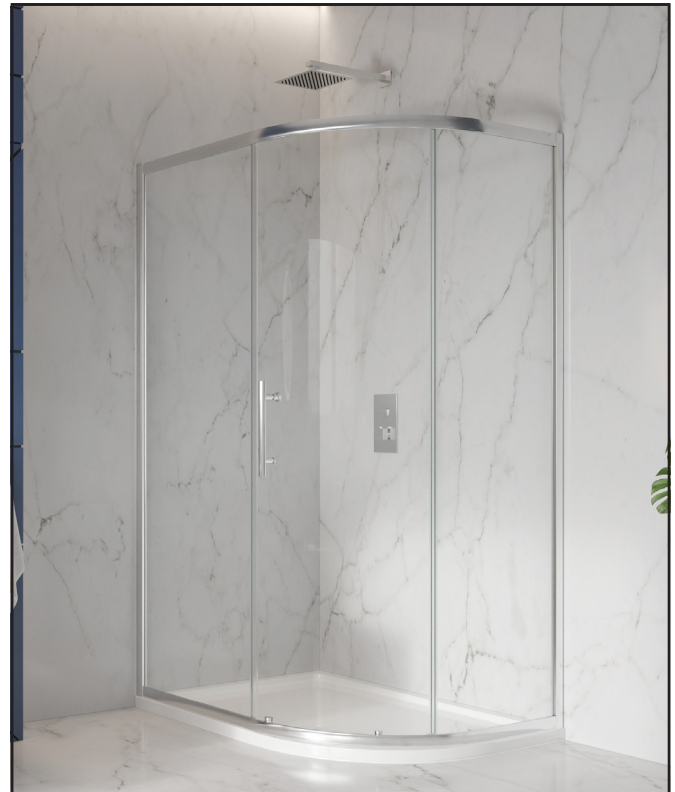
Construction Material:	Aluminium / Glass
Installation Type:	Wall Mounted
Colour / Finish:	Chrome / Clear Glass

### Enclosure Attributes

Adjustment:	970-990mm / 770-790mm
Aqua-Shield:	Yes
Hinge Type:	Sliding
Door Type:	Single Door
Frame Type:	Framed
Glass Type:	Clear
Radius:	550mm
Entry Width:	415mm
Door In Swing:	N/A
Door Out Swing:	N/A
Enclosure Shape:	Quadrant
Glass Thickness:	8mm
Profile Finish/Colour:	Chrome
Profile Material:	Aluminium

### Compliance DOP

HBDOC019 / HBDOC020



## Dimensions

(measurements in mm)



### LIFETIME GUARANTEE

We are confident in our products and we want our customer to be, we proudly give a lifetime guarantee on our taps and showers, further details can be found on our website