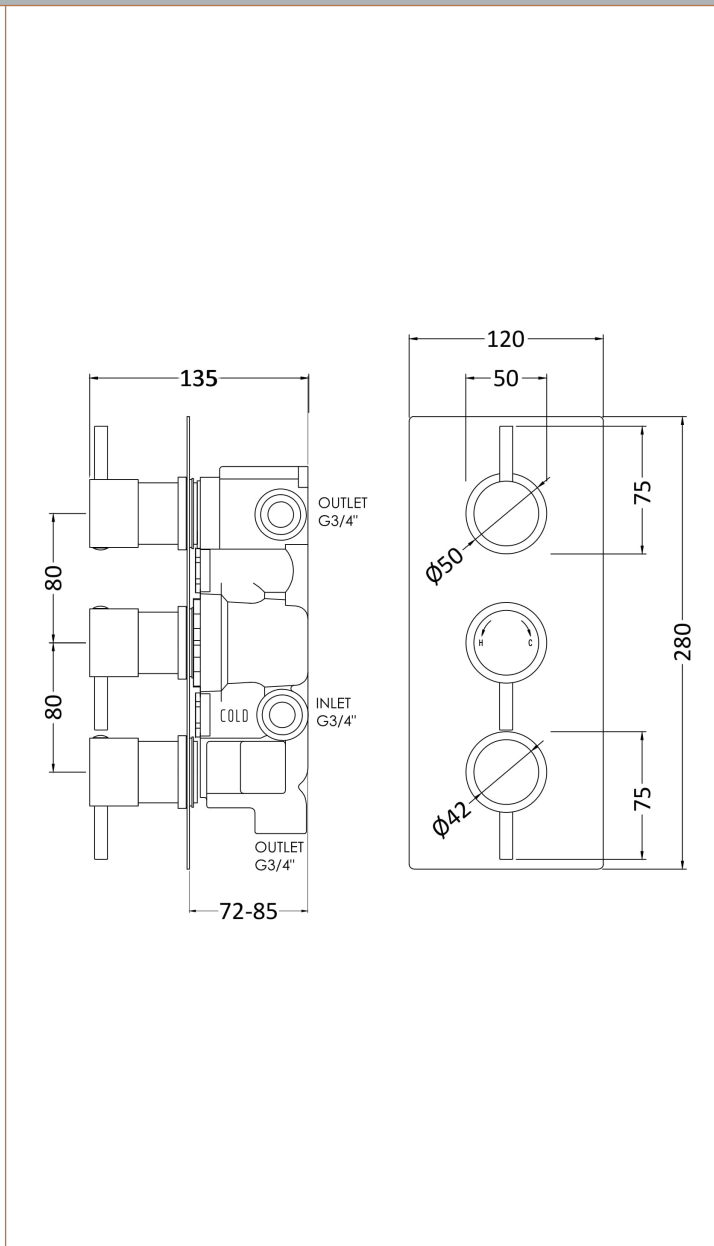


Sales Code: QUEV56

Description: Quest Triple Valve With Diverter



Product Dimensions	
Length (mm):	280
Width (mm):	120
Height (mm):	280
Depth (mm):	130
Nett Weight (kg):	5
Packaging Dimensions	
Length (mm):	320
Width (mm):	255
Height (mm):	130
Gross Weight (kg):	5
Packaging Data	
Box Colour:	White Cardboard Box
Box Qty:	1
Label Size:	100 x 50
Label Colour:	White Label
Label Qty:	2
Outer Box Dimensions (If Applicable)	
Length (mm):	
Width (mm):	
Height (mm):	
Depth (mm):	
Gross Weight (kg):	
Barcode:	5055275805770
Product Details	
Country of Origin:	United Kingdom
Fitting Instruction:	No
Product Material:	Brass
Mount Type:	Recessed, Wall
Outlet Elbow Supplied:	No
Easy Clean:	
Head Included:	No
Handset Included:	No
Body Jets Included:	No
No of Body Jets:	
Operating Pressure (bar):	0.5
Valve/Cartridge Type:	1/4 Turn Ceramic Disc
Flow Rates (L/min):	0.1 bar: N/A 0.5 bar: 13 1 bar: 17 2 bar: 24 3 bar: 27
TMV2 Approved:	No Approval No: N/A
TMV3 Approved:	No Approval No: N/A
WRAS Approved:	No Approval No: N/A
Head Function:	Not Applicable
Handset Function:	
Body Jet Info:	Not Applicable
Pipe Size:	15 mm & 22 mm
Pipe Centres:	Not Applicable
Colour/Finish:	Chrome
Hose Included:	
No. of Outlets:	3