

AR2 THBF C

ARTISAN Tap Range Artisan Thermostatic Bath Filler Chrome



Specification

Style:	Contemporary
Product Type:	Bath Filler
Main Construction Material:	Brass
Mount Type:	Deck
Handle Type:	Round
Connection Inlet:	G 3/4"
Number of Tap Holes:	2
Valve/Cartridge Type:	1/2" CD Valve & Thermostatic Cartridge
Plumbing System Requirements:	Balanced
Working Pressure Range:	Min. 0.5, Max. 5.0 Bar
Maximum Hot Water Temperature: °C	80
Maximum Static Pressure: (bar)	10
Flow Type:	Dual
Flow Rate: (l/min @ 3 bar)	47.5
Isolation Included:	No

Features:

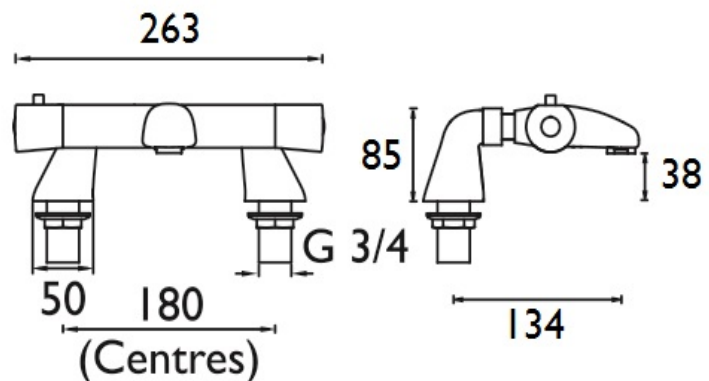
- Dual Control
- Pre-set maximum temperature at 38c can be overridden by the user
- Operates at a minimum pressure of 0.5 bar

Product Certifications:



WRAS Certificate No: 1407012
WRAS Expiry Date: 31/07/2019

Dimensions (measurements in mm)



For more products, visit our website:
<http://www.bristan.com>



Flow Rates (l/min)

System Pressure (bar)	0.5	1	2	3	5
AR2 THBF C	18.3	27	38.7	47.5	61

TECHNICAL DATA SHEET



BRISTAN

TAPS & SHOWERS D3