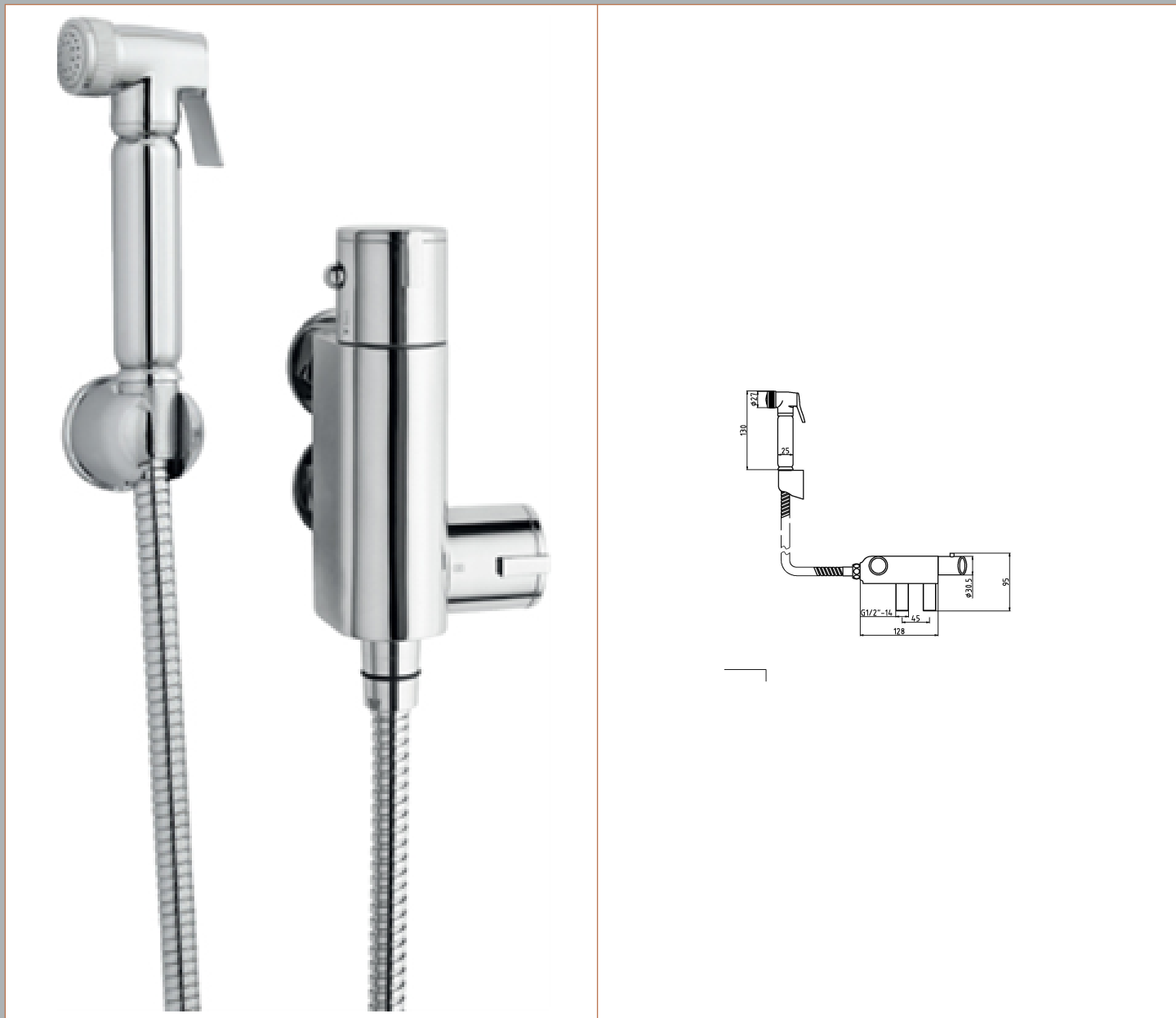


Sales Code: BW002

Description: Douch Spray Kit And Thermo Valve



Product Dimensions

Length (mm):	
Width (mm):	25
Height (mm):	25
Depth (mm):	130
Nett Weight (kg):	1.68

Packaging Dimensions

Length (mm):	250
Width (mm):	155
Height (mm):	250
Gross Weight (kg):	1.68

Packaging Data

Box Colour:	White Cardboard Box
Box Qty:	1
Label Size:	100 x 50
Label Colour:	White Label
Label Qty:	2

Outer Box Dimensions (If Applicable)

Length (mm):	
Width (mm):	
Height (mm):	
Depth (mm):	
Gross Weight (kg):	2
Barcode:	5055369049295

Product Details

Country of Origin:	United Kingdom
Fitting Instruction:	No
Product Material:	Brass/ABS
Mount Type:	Surface, Wall
Outlet Elbow Supplied:	Yes
Easy Clean:	Not Applicable
Head Included:	No
Handset Included:	Yes
Body Jets Included:	No
No of Body Jets:	Not Applicable
Operating Pressure (bar):	0.1
Valve/Cartridge Type:	Rise & Fall Valve, 1/4 Turn Cerami
Flow Rates (L/min):	0.1 bar: 0 0.5 bar: 0 1 bar: 0 2 bar: 0 3 bar: 0
TMV2 Approved:	No Approval No: N/A
TMV3 Approved:	No Approval No: N/A
WRAS Approved:	No Approval No: N/A
Head Function:	Not Applicable
Handset Function:	Single Setting
Body Jet Info:	Not Applicable
Pipe Size:	15 mm (1/2" Bsp)
Pipe Centres:	N/A
Colour/Finish:	Chrome
Hose Included:	Not Applicable
No. of Outlets:	N/A