



| Specification | |
|-----------------------------------|--------------------------|
| Style: | Contemporary |
| Product Type: | Bathroom Tap |
| Finish/Colour: | Chrome |
| Main Construction Material: | Brass |
| Mount Type: | Deck Mounted |
| Handle Type: | Oval |
| Connection Inlet: | M10 1/2" BSP Flexi Tails |
| Number of Tap Holes Required: | 1 |
| Valve/Cartridge Type: | 35mm Cartridge |
| Plumbing System Suitability | Preferably Balanced |
| Working Pressure Range: | Min 0.2bar, Max 5.0bar |
| Maximum Hot Water Temperature: °c | 65 |
| Maximum Dynamic Pressure: (bar) | 5 |
| Maximum Static Pressure: (bar) | 10 |
| Flow Type: | Single |
| Flow Rate: (l/min @ 3 bar) | 27.9 |
| Connection Outlet: | N/A |
| Isolation Included: | No |

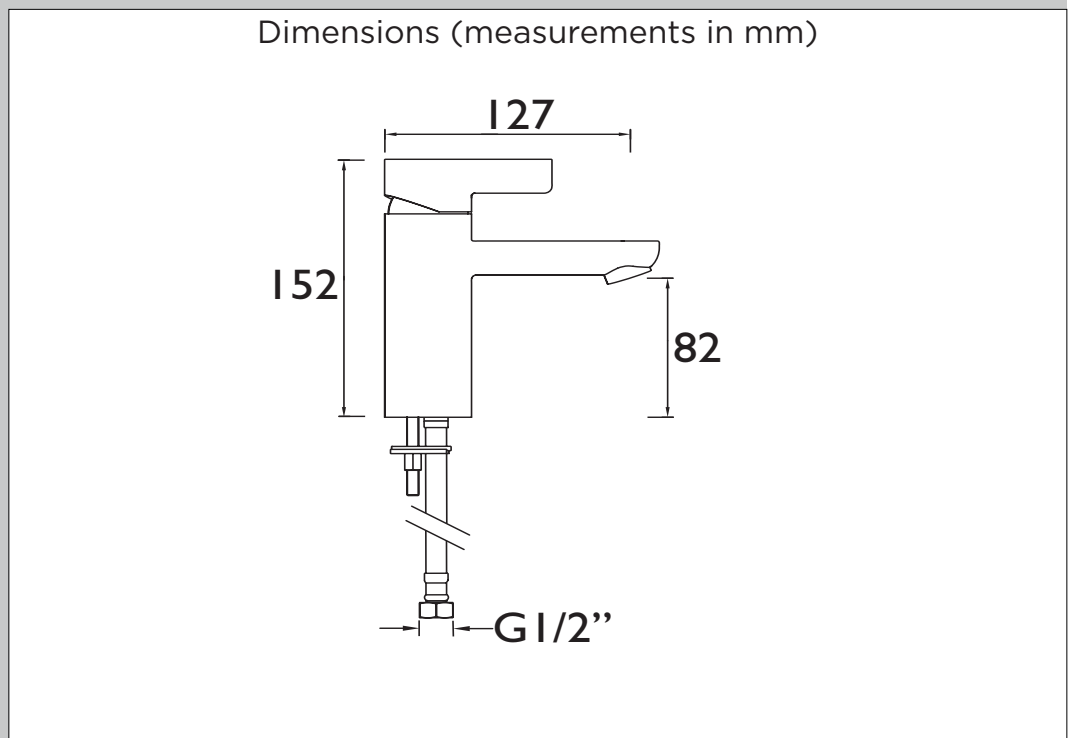
Features:

- Metal Backnuts
- Ceramic Disc
- Flexi Tails

Product Certifications:



For more products, visit our website:



| Flow Rates (l/min) | | | | | | |
|-----------------------|-----|-------|-------|-------|------|-------|
| System Pressure (bar) | 0.2 | 0.5 | 1 | 2 | 3 | 5 |
| CLIBAS C | 7.2 | 11.39 | 16.11 | 22.78 | 27.9 | 36.02 |

TECHNICAL
DATA
SHEET



BRISTAN
TAPS & SHOWERS