

# PRODUCT DATA SHEET

## Modern Towel Rail Valves Angled (Pair)

Product Code: TRV002

0330 124 7290

sales@scudo.co.uk - www.scudo.co.uk



Scudo is the trading name of Harrison Bathrooms Ltd. Whilst we endeavour to ensure that the product information is accurate we accept no liability for any information given. All images are for illustration purposes only. Product images and specification are subject to change. Measurement are in millimetres and are nominal.

### Product Measurements

Product Weight:	0.381kg
Product Width:	59.5mm
Product Height:	74mm
Product Depth:	N/A
Product Length:	59.5mm

### Product Transportation

Barcode:	5060500641610
Country of Origin:	China
Comodity Code:	8481804090

### Primary Packed Measurements

Packaged Weight:	0.41kg
Packaged Length:	145mm
Packaged Width:	90mm
Packaged Height:	35mm

### Packaging Weight

Card:	0.027kg
Paper:	N/A
Wood:	N/A
Plastic:	0.001kg

### General Information

Construction Material:	Brass
Installation Type:	Valve
Colour / Finish:	Chrome Plated

### Heating Valve Specification

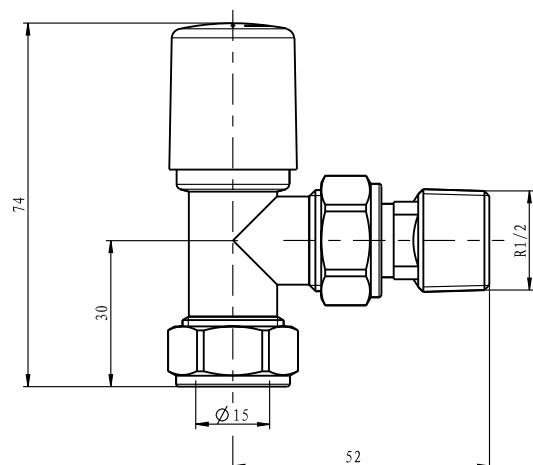
Type:	Straight
Shape:	Round
Thermostatic:	No
Connection Size:	1/2 BSP Ø

### Element Specification

Rated Power Supply:	N/A
Wattage:	N/A
Supplied with Dual Fuel T piece:	N/A
IP Rating:	N/A

### Compliance DOP

HBDOC088 / HBDOC089



**Dimensions**  
(measurements in mm)



#### LIFETIME GUARANTEE

We are confident in our products and we want our customer to be, we proudly give a lifetime guarantee on our taps and showers, further details can be found on our website