

PRODUCT DATA SHEET

Towel Rail Valves

Product Code: TRV007



SCUDO
BEAUTIFUL BATHROOMS

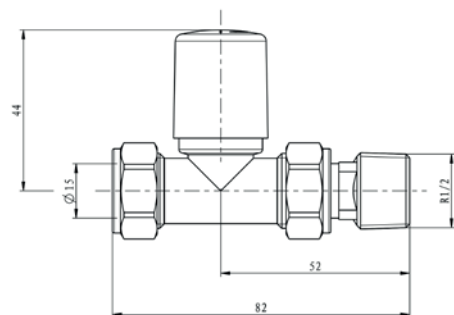
0330 124 7290

sales@scudo.co.uk - www.scudo.co.uk

Scudo is the trading name of Harrison Bathrooms Ltd. Whilst we endeavour to ensure that the product information is accurate we accept no liability for any information given. All images are for illustration purposes only. Product images and specification are subject to change. Measurement are in millimetres and are nominal.

Product Name	TRV007
Product Description	Modern Towel Rail Valves Straight (Pair)
Product Transportation	
Barcode	5060766128474
Country of origin	CH
Commodity code	8481804090
Product Measurements	
Product Weight (KG)	0.383
Product Width (mm)	The same as Length
Product Height (mm)	51.5
Product Depth (mm)	No
Product Length (mm)	82
Primary Packed Measurements	
Packaged Weight	0.407
Packed Length	145
Packed Width	90
Packed Height	35
Packaging Weights	
Card (kg)	0.024
Paper (kg)	0
Wood (kg)	0
Plastic (kg)	0.5
Compliance DOP	HBDOC088 & HBDOC089

General Information	
Construction Material	Brass
Installation type	Valve
Colour / Finish	Anthracite
Heating Valve Specification	
Type	Straight
Shape	Round
Thermostatic	No
Connection Size (Ø)	1/2 BSP
Element Specification	
Rated Power Supply	N/a
Wattage (W)	N/a
Supplied with dual fuel T Piece	N/a
IP Rating	N/a



Dimensions
(measurements in mm)



LIFETIME GUARANTEE

We are confident in our products and we want our customer to be, we proudly give a lifetime guarantee on our taps and showers, further details can be found on our website