

# PRODUCT DATA SHEET

## Modern Towel Rail Valves Angled (Pair)

Product Code: TRV008

0330 124 7290

[sales@scudo.co.uk](mailto:sales@scudo.co.uk) - [www.scudo.co.uk](http://www.scudo.co.uk)



Scudo is the trading name of Harrison Bathrooms Ltd. Whilst we endeavour to ensure that the product information is accurate we accept no liability for any information given. All images are for illustration purposes only. Product images and specification are subject to change. Measurement are in millimetres and are nominal.

### Product Measurements

|                 |         |
|-----------------|---------|
| Product Weight: | 0.381kg |
| Product Width:  | 59.5mm  |
| Product Height: | 74mm    |
| Product Depth:  | N/A     |
| Product Length: | 59.5mm  |

### Product Transportation

|                    |               |
|--------------------|---------------|
| Barcode:           | 5060766128467 |
| Country of Origin: | China         |
| Comodity Code:     | 8481804090    |

### Primary Packed Measurements

|                  |        |
|------------------|--------|
| Packaged Weight: | 0.41kg |
| Packaged Length: | 145mm  |
| Packaged Width:  | 90mm   |
| Packaged Height: | 35mm   |

### Packaging Weight

|          |         |
|----------|---------|
| Card:    | 0.027kg |
| Paper:   | N/A     |
| Wood:    | N/A     |
| Plastic: | 0.001kg |

### General Information

|                        |               |
|------------------------|---------------|
| Construction Material: | Brass         |
| Installation Type:     | Valve         |
| Colour / Finish:       | Brushed Brass |

### Heating Valve Specification

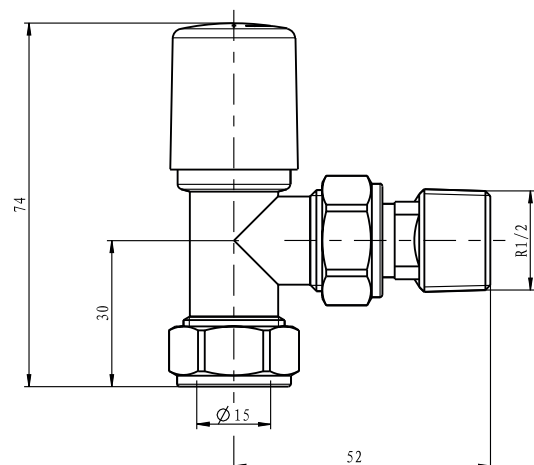
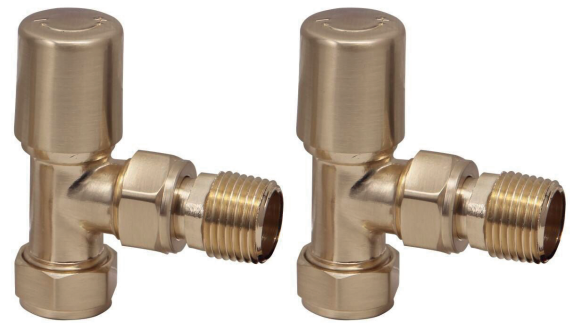
|                  |           |
|------------------|-----------|
| Type:            | Straight  |
| Shape:           | Round     |
| Thermostatic:    | No        |
| Connection Size: | 1/2 BSP Ø |

### Element Specification

|                                  |     |
|----------------------------------|-----|
| Rated Power Supply:              | N/A |
| Wattage:                         | N/A |
| Supplied with Dual Fuel T piece: | N/A |
| IP Rating:                       | N/A |

### Compliance DOP

HBDOC088 / HBDOC089



**Dimensions**  
(measurements in mm)



#### LIFETIME GUARANTEE

We are confident in our products and we want our customer to be, we proudly give a lifetime guarantee on our taps and showers, further details can be found on our website