

# PRODUCT DATA SHEET

## Designer TRV Straight Valve (Pair)

Product Code: DES-TRV-STR-WTE



**SCUDO**  
BEAUTIFUL BATHROOMS

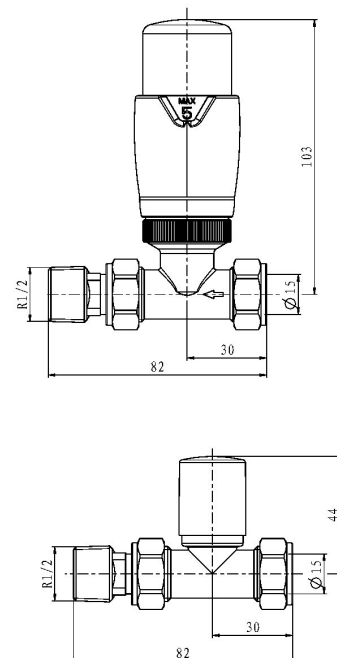
0330 124 7290

sales@scudo.co.uk - www.scudo.co.uk

Scudo is the trading name of Harrison Bathrooms Ltd. Whilst we endeavour to ensure that the product information is accurate we accept no liability for any information given. All images are for illustration purposes only. Product images and specification are subject to change. Measurements are in millimetres and are nominal.

Product Name	DES-TRV-STR-WTE
Product Description	Designer Twin Pack TRV Straight Valve
<b>Product Transportation</b>	
Barcode	5060766128603
Country of origin	CN
Commodity code	8481804090
<b>Product Measurements</b>	
Product Weight (KG)	0.4
Product Width (mm)	-
Product Height (mm)	-
Product Depth (mm)	-
<b>Primary Packed Measurements</b>	
Packaged Weight	0.41
Packed Length	70
Packed Width	120
Packed Height	90

<b>General Information</b>	
Construction Material	Brass
Installation type	Valve
Colour / Finish	White
<b>Heating Valve Specification</b>	
Type	Straight
Shape	Contemporary
Thermostatic	Yes
Connection Size (Ø)	1/2 BSP
<b>Element Specification</b>	
Rated Power Supply	N/a
Wattage (W)	N/a
Supplied with dual fuel T Piece	No
IP Rating	N/a



**Dimensions**  
(Measurements in mm)



### LIFETIME GUARANTEE

We are confident in our products and we want our customer to be, we proudly give a lifetime guarantee on our taps and showers, further details can be found on our website.