

# PRODUCT DATA SHEET

## Core Round Handle Head & Handset Riserkit Brushed Bronze

Product Code: NU-044



**SCUDO**  
BEAUTIFUL BATHROOMS

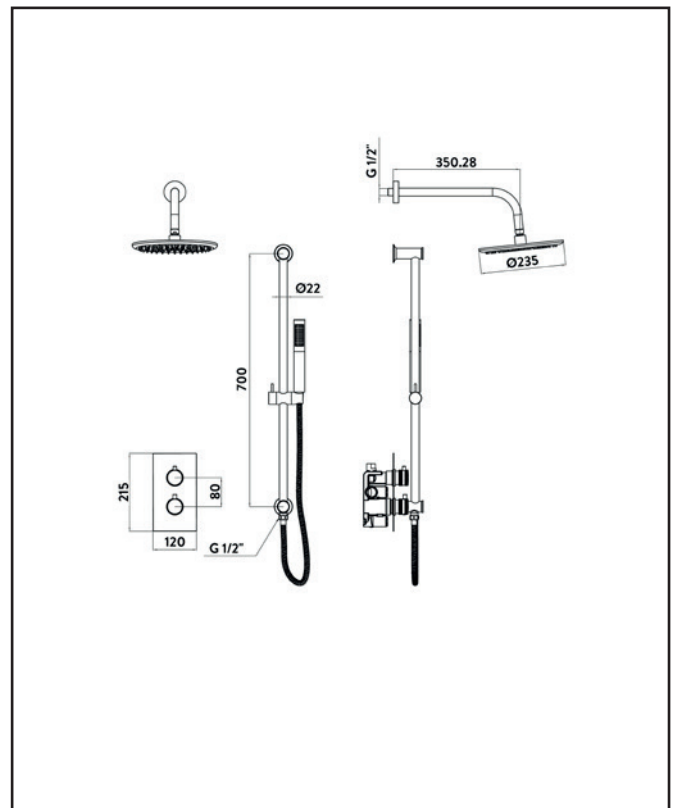
0330 124 7290

sales@scudo.co.uk - www.scudo.co.uk

Scudo is the trading name of Harrison Bathrooms Ltd. Whilst we endeavour to ensure that the product information is accurate we accept no liability for any information given. All images are for illustration purposes only. Product images and specification are subject to change. Measurement are in millimetres and are nominal.

|                                    |   |
|------------------------------------|---|
| Product Name                       | NU-044  |
| Product Description                | Core Round Handle Head & Handset<br>Riserkit Brushed Bronze |
| <b>Product Transportation</b>      |   |
| Barcode                            | 5060964935430   |
| Country of origin                  | CH  |
| Commodity code                     | 8481809000  |
| <b>Product Measurements</b>        |   |
| Product Weight (KG)                | 3.989   |
| Product Width (mm)                 | See Line Drawing  |
| Product Height (mm)                | See Line Drawing  |
| Product Depth (mm)                 | See Line Drawing  |
| <b>Primary Packed Measurements</b> |   |
| Packaged Weight                    | 4.799   |
| Packed Length                      | 360   |
| Packed Width                       | 330   |
| Packed Height                      | 175   |
| <b>Packaging Weights</b>           |   |
| Card (kg)                          | 1.042   |
| Paper (kg)                         | 0.009   |
| Wood (kg)                          | n/a   |
| Plastic (kg)                       | 0.192   |
| Compliance DOP                     |   |

|                                  |                                  |
|----------------------------------|----------------------------------|
| <b>General Information</b>       |                                  |
| Construction Material            | Brass /Stainless steel 304 alloy |
| Installation type                | Wall Mounted                     |
| Colour / Finish                  | Brushed Bronze                   |
| <b>Tap / Shower Attributes</b>   |                                  |
| WRAS Approved                    | Yes                              |
| TMV Approved                     | No                               |
| Minimum Operating Pressure (bar) | 0.5                              |
| Maximum Operating Pressure (bar) | 5                                |
| Flexible Tails Included          | No                               |
| Number of tap holes required     | 2                                |
| Handle Type                      | Lever                            |
| Swivel Spout                     | No                               |
| Inlet Connection                 | 1/2 BSP                          |
| Outlet Connection                | 1/2 BSP Handset                  |
| Tap Hole Diameter (mm)           | N/a                              |
| Tap Type description             | Concealed Thermostatic Mixer     |
| Includes Waste                   | No                               |
| Valve / Cartridge Type           | Thermostatic Cartridge           |
| <b>Flow Rates</b>                |                                  |
| 0.2bar (l/min)                   | 5.6                              |
| 0.5bar (l/min)                   | 8.8                              |
| 1bar (l/min)                     | 13.8                             |
| 2bar (l/min)                     | 20.8                             |
| 3bar (l/min)                     | 25.7                             |



**Dimensions**  
(measurements in mm)



### LIFETIME GUARANTEE

We are confident in our products and we want our customer to be, we proudly give a lifetime guarantee on our taps and showers, further details can be found on our website

# PRODUCT DATA SHEET

## Core Round Handle Head & Handset Riserkit Brushed Bronze

Product Code: NU-044



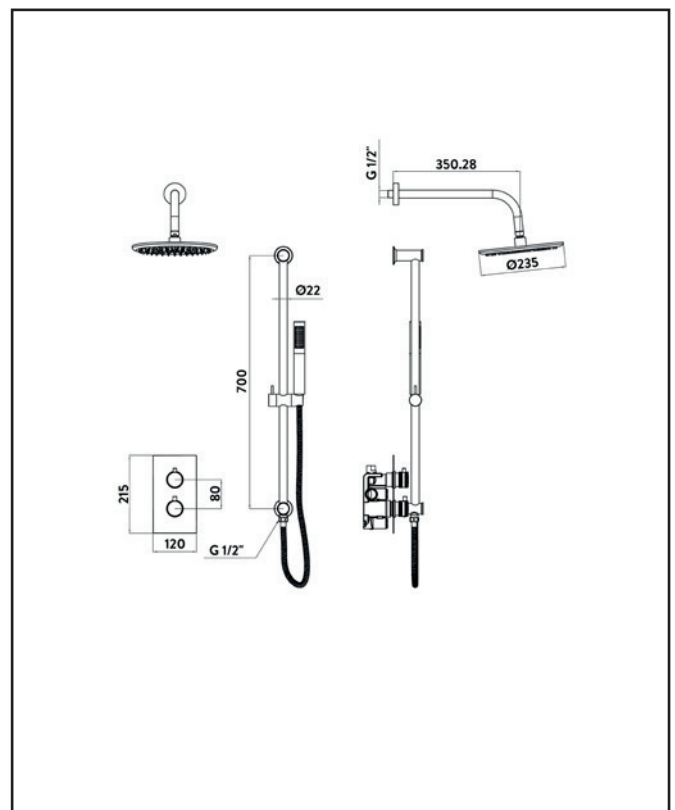
**SCUDO**  
BEAUTIFUL BATHROOMS

0330 124 7290

sales@scudo.co.uk - www.scudo.co.uk

Scudo is the trading name of Harrison Bathrooms Ltd. Whilst we endeavour to ensure that the product information is accurate we accept no liability for any information given. All images are for illustration purposes only. Product images and specification are subject to change. Measurement are in millimetres and are nominal.

| Showering - Specification        |         |
|----------------------------------|---------|
| Anti-Scald                       | Yes     |
| Shower Diverter function         | Yes     |
| Number of outlets                | 2       |
| Thermostatic Temperature control | Yes     |
| Cool Touch                       | No      |
| Shower Handset functions         | 1       |
| Minimum Working Pressure         | 0.5     |
| Maximum Working Pressure         | 5       |
| Shape                            | Round   |
| Pipe Centres (mm)                | 150     |
| Inlet Connection                 | 1/2 BSP |
| Outlet Connection                | 1/2 BSP |
| Adjustable                       | No      |
| Adjustment (mm)                  | N/a     |
| Handle Type                      | Round   |



**Dimensions**  
(measurements in mm)



### LIFETIME GUARANTEE

We are confident in our products and we want our customer to be, we proudly give a lifetime guarantee on our taps and showers, further details can be found on our website