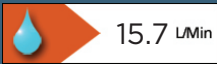




Features:

- Metal Backnuts
- Ceramic Disc
- Rub Clean Handset, Hose and Bracket

Product Certifications:



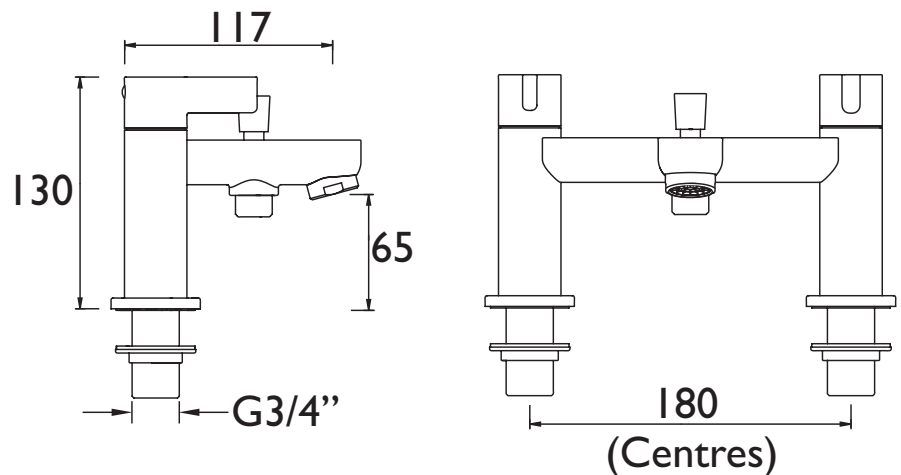
For more products, visit our website:
<http://www.bristan.com>



Specification

Style:	Contemporary
Product Type:	Bathroom Tap
Main Construction Material:	Brass
Mount Type:	Deck Mounted
Handle Type:	Oval
Connection Inlet:	G3/4" BSP
Connection Outlet:	G1/2"
Number of Tap Holes:	2
Valve/Cartridge Type:	3/4" CD 1/4 Turn Valves
Plumbing System Requirements:	All
Working Pressure Range:	Min 0.2bar, Max 5.0bar
Maximum Hot Water Temperature: °C	65
Maximum Dynamic Pressure: (bar)	5
Maximum Static Pressure: (bar)	10
Flow Type:	Single
Flow Rate: (l/min @ 3 bar)	15.7
Isolation Included:	No

Dimensions (measurements in mm)



Flow Rates (l/min)

System Pressure (bar)	0.2	0.5	1	2	3	5
Mixed	22.7	36.9	52.6	74.3	91.1	117.6
Handset	4	6.4	9	12.8	15.7	20.2

TECHNICAL DATA SHEET



BRISTAN

TAPS & SHOWERS