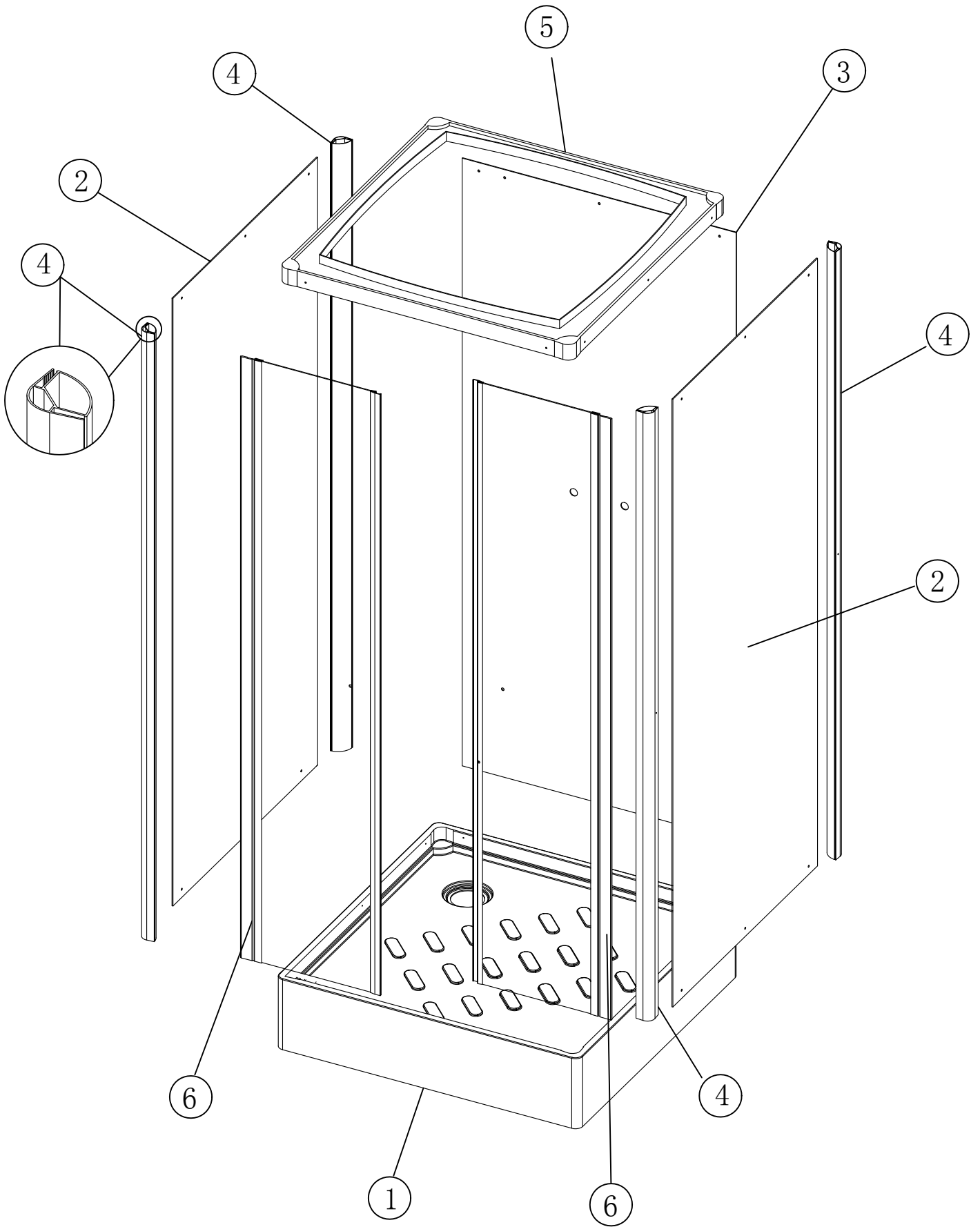
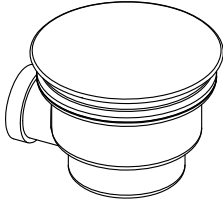
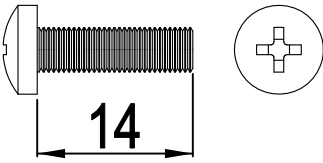
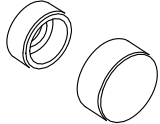
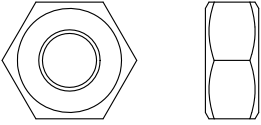
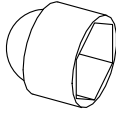
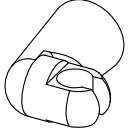
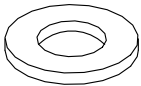
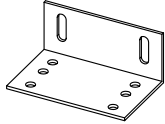
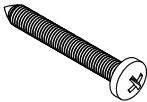
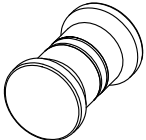
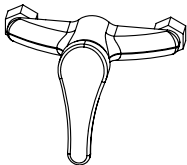
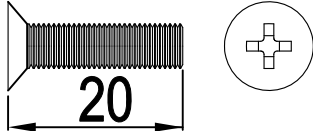

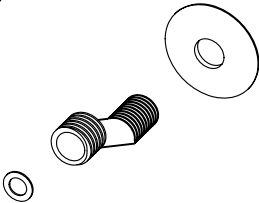
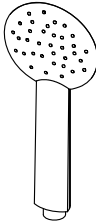
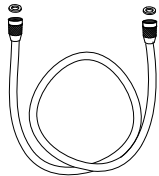
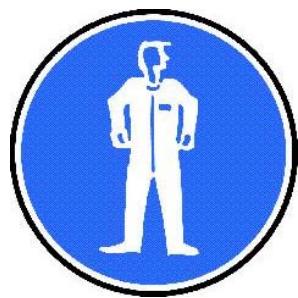
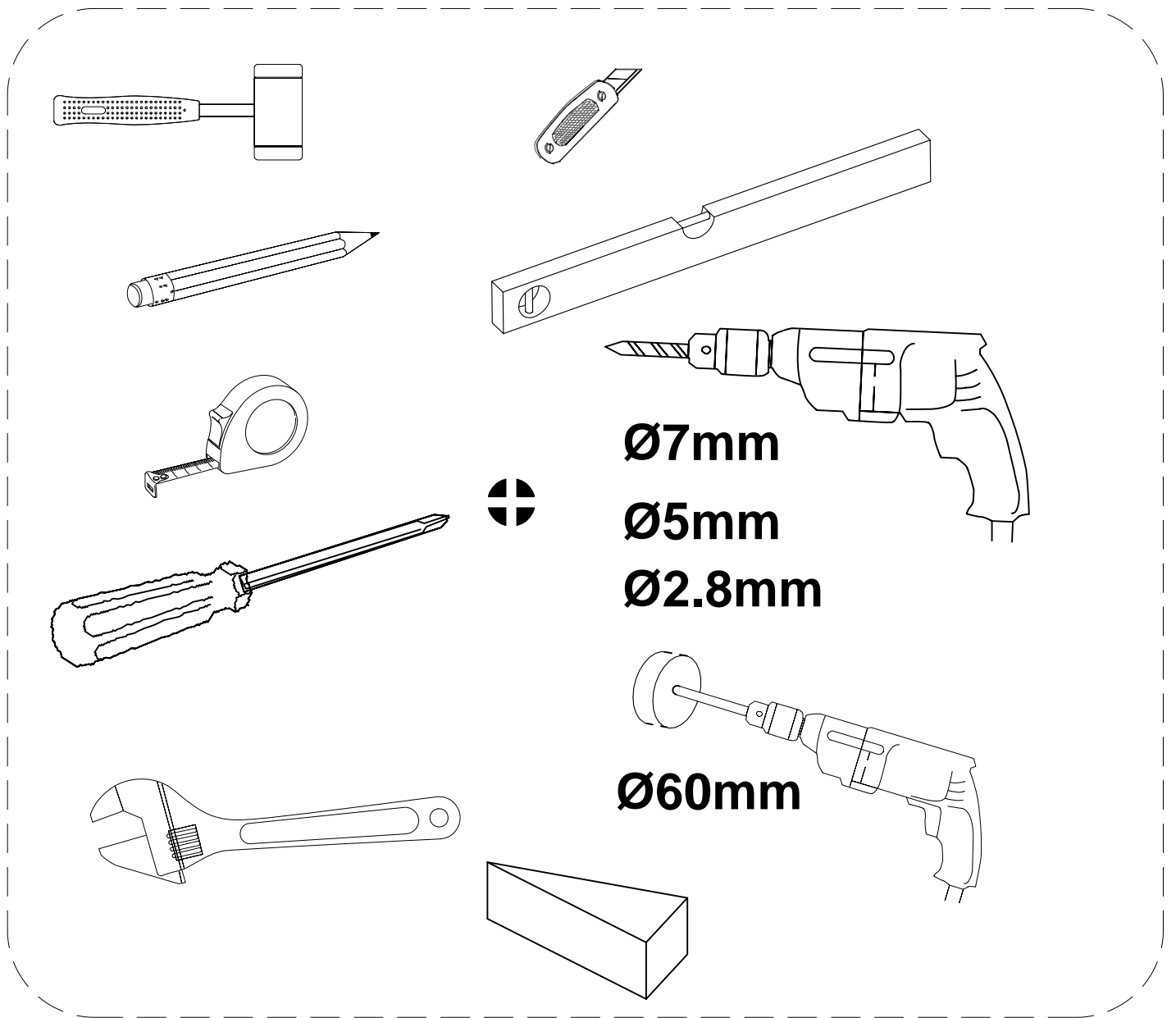
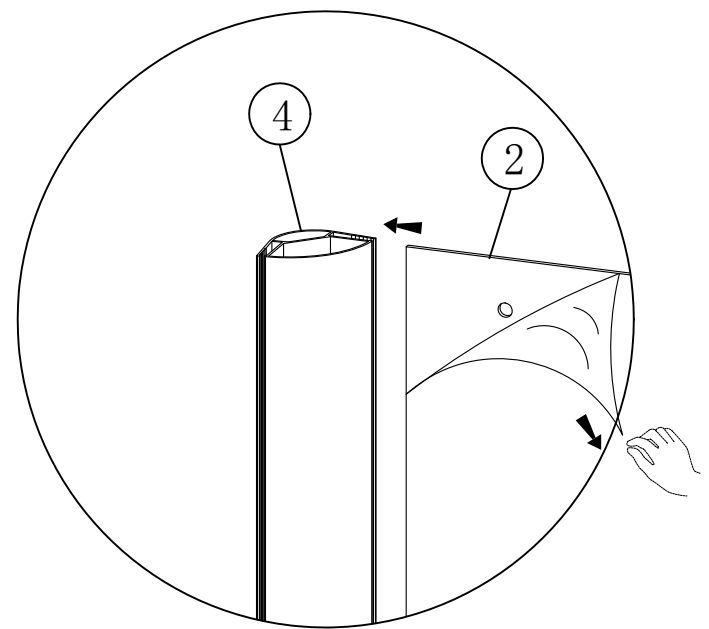
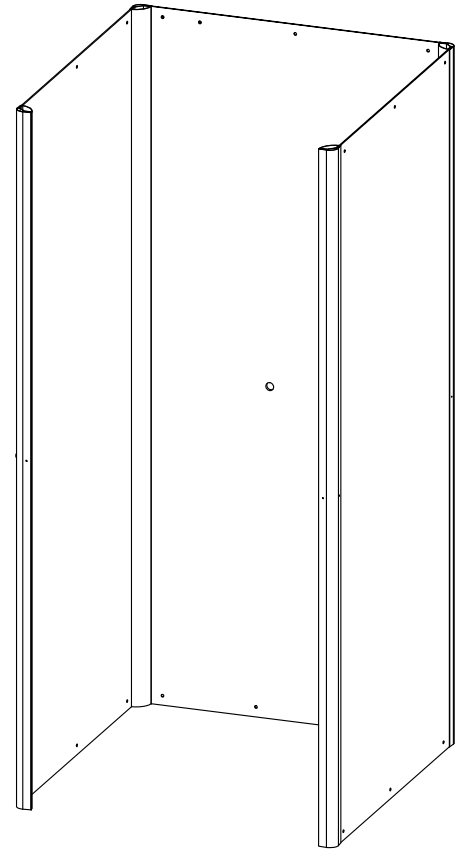
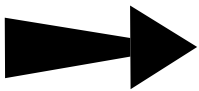
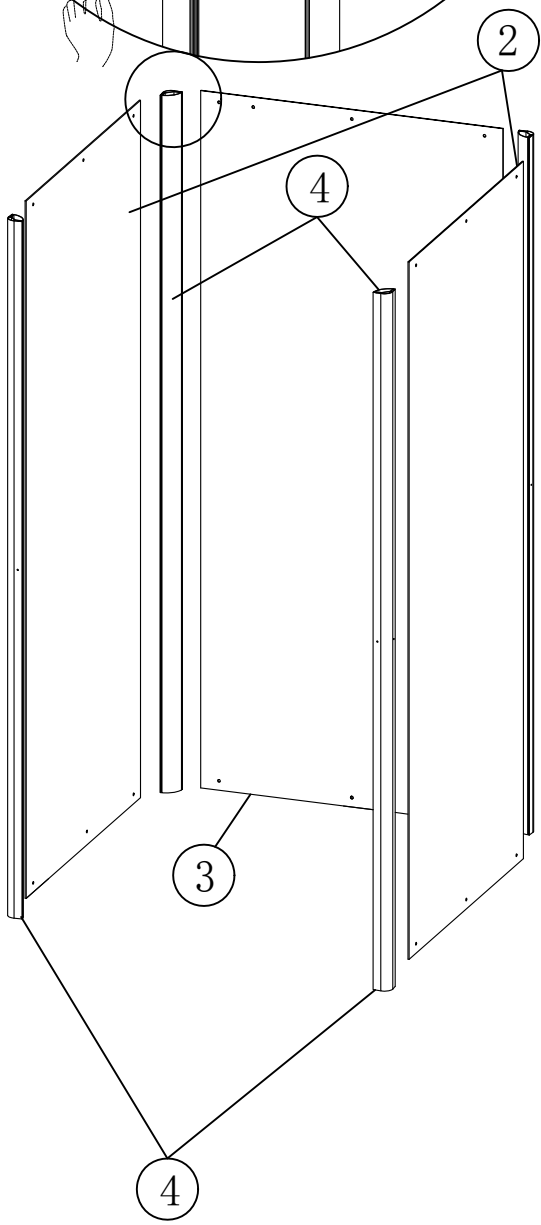
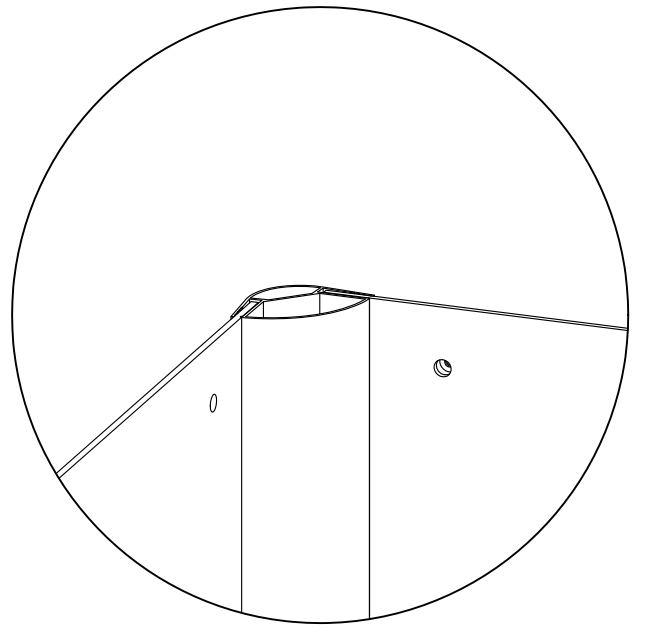
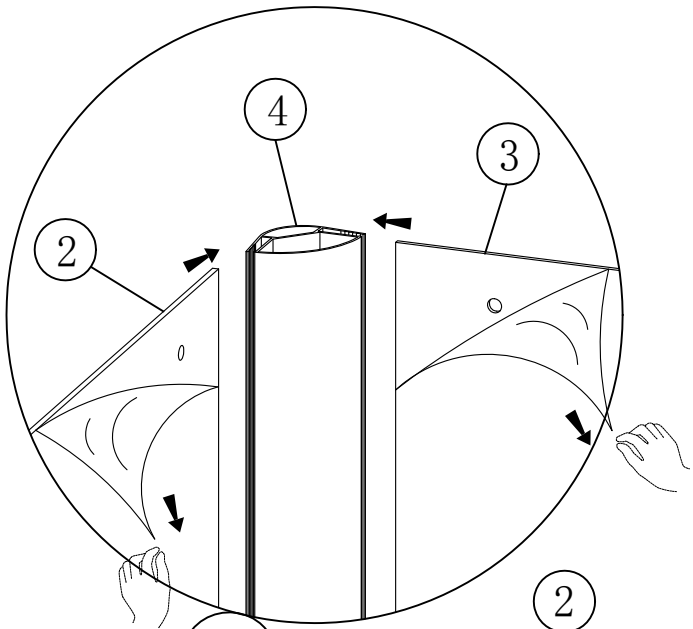


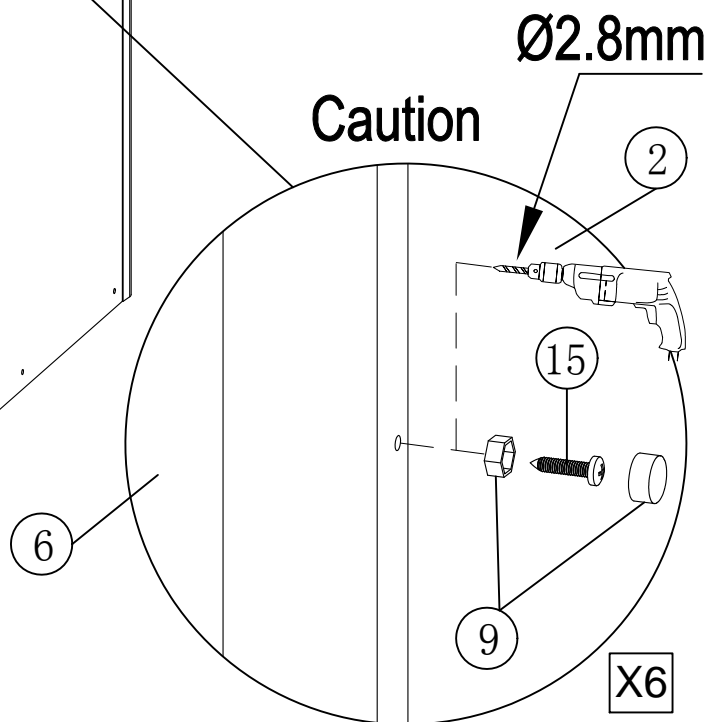
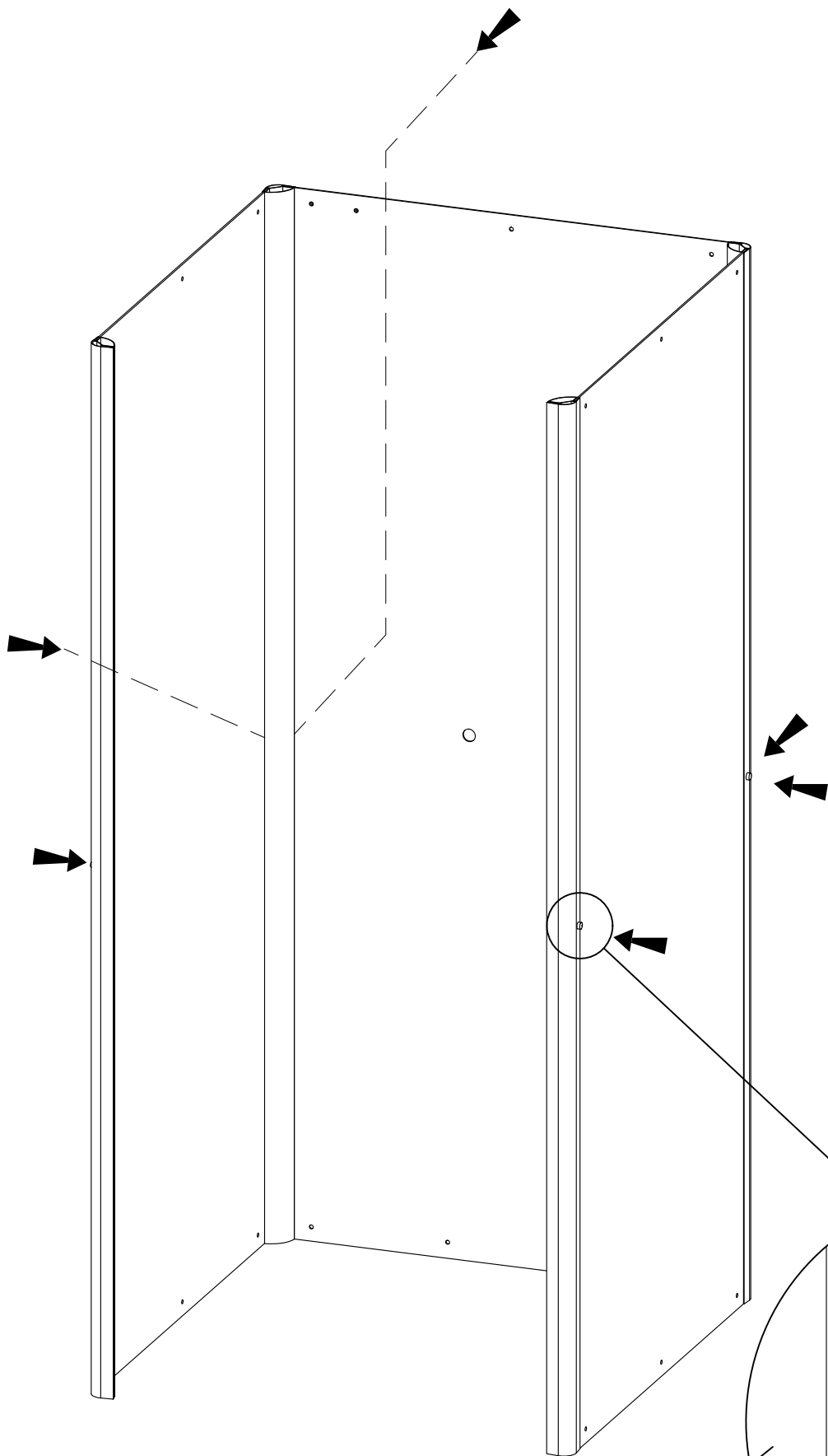
MANBE02

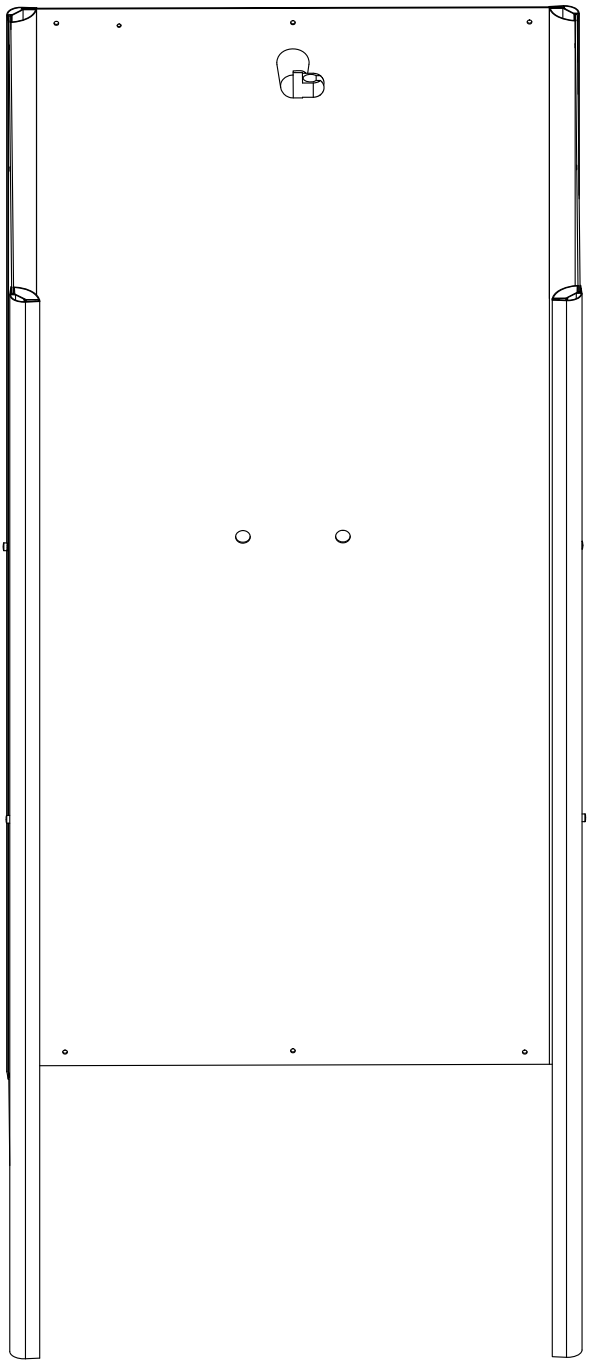
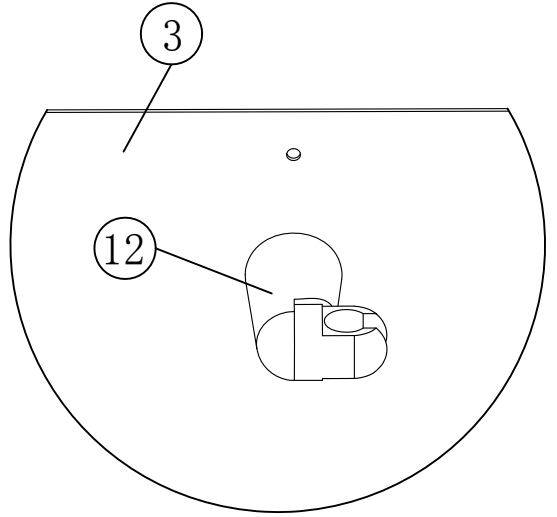
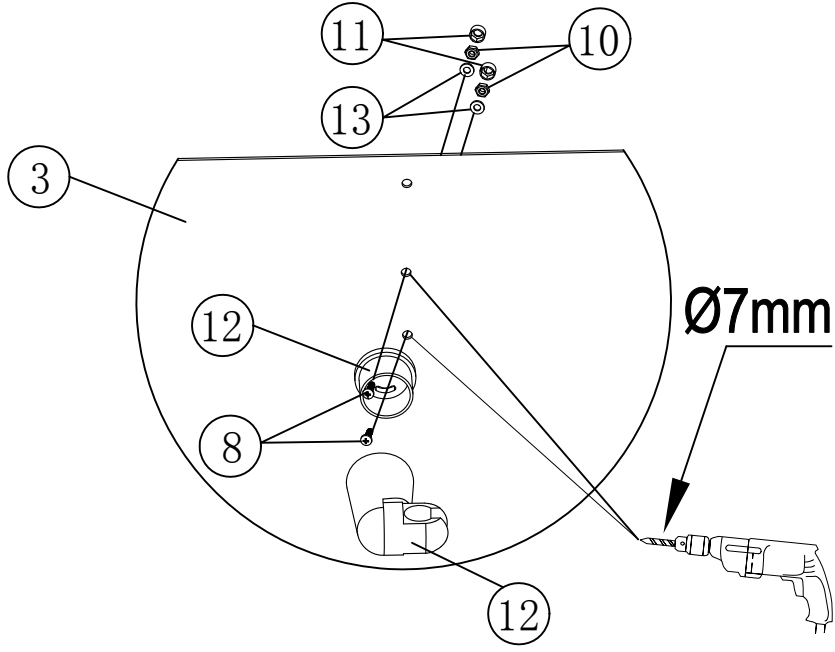


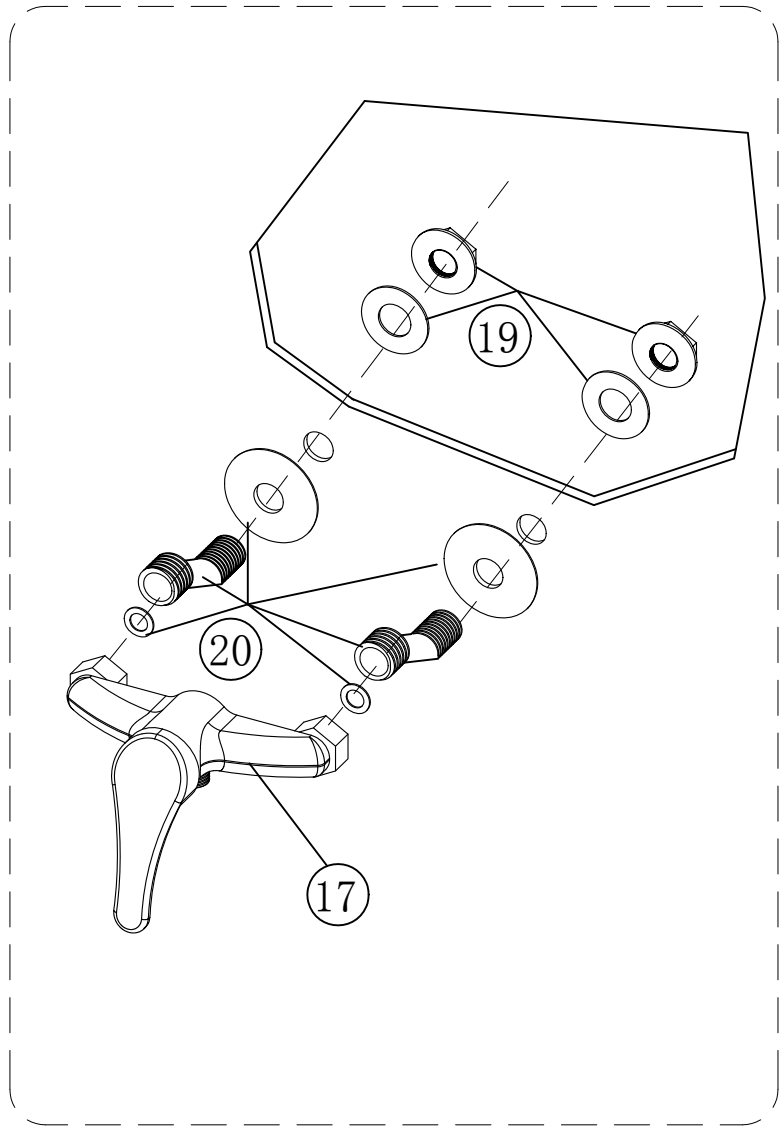
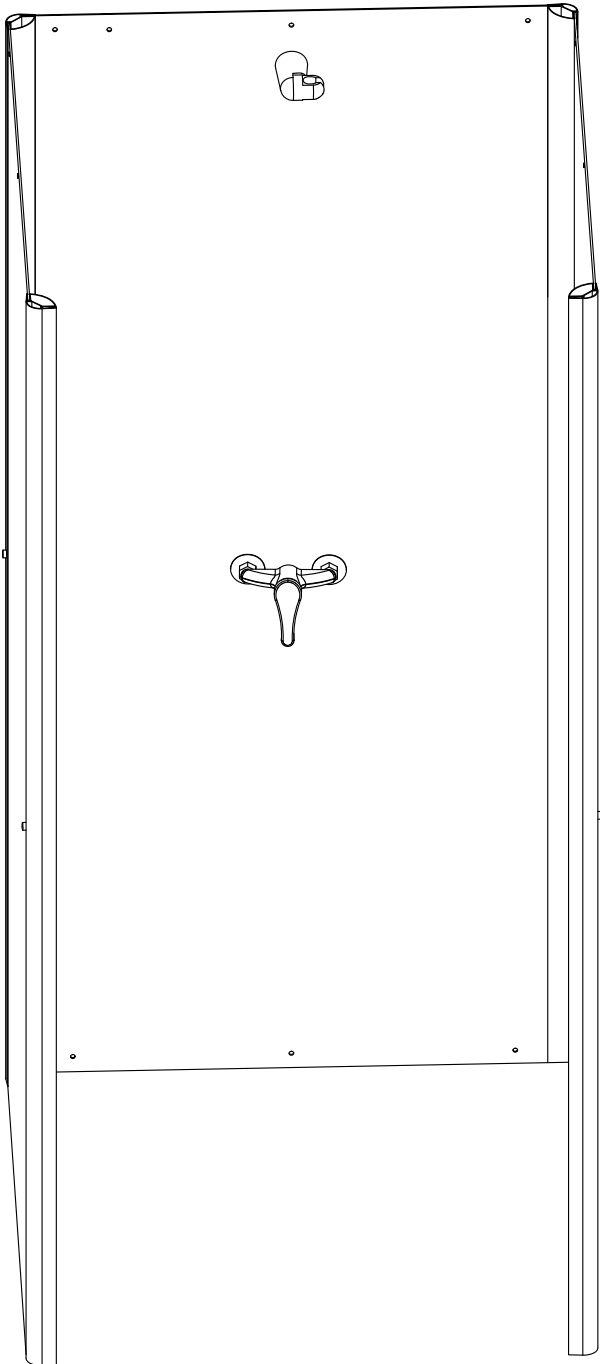
<p>7 X1</p> 	<p>8 M4 X14</p> 	<p>9 X29</p> 
<p>10 M4 X16</p> 	<p>11 X14</p> 	<p>12 X1</p> 
<p>13 X16</p> 	<p>14 X2</p> 	<p>15 X17</p>  <p>ST3.9X16</p>
<p>16 X2</p> 	<p>17 MIT68 X1</p> 	<p>18 M4 X2</p> 
<p>19 X2</p> 	<p>20 X2</p> 	<p>21 X1</p> 
<p>22 X1</p> 		

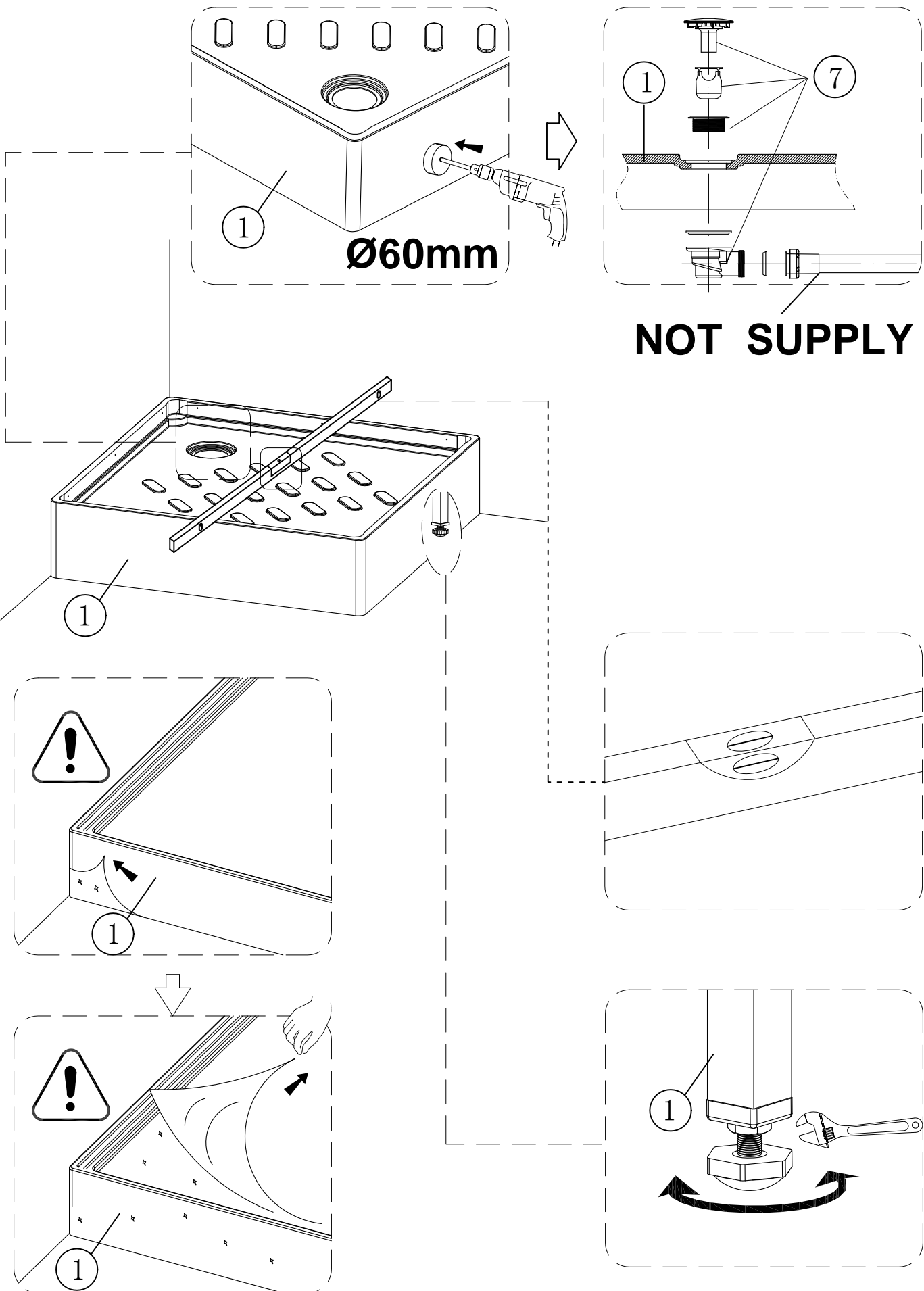


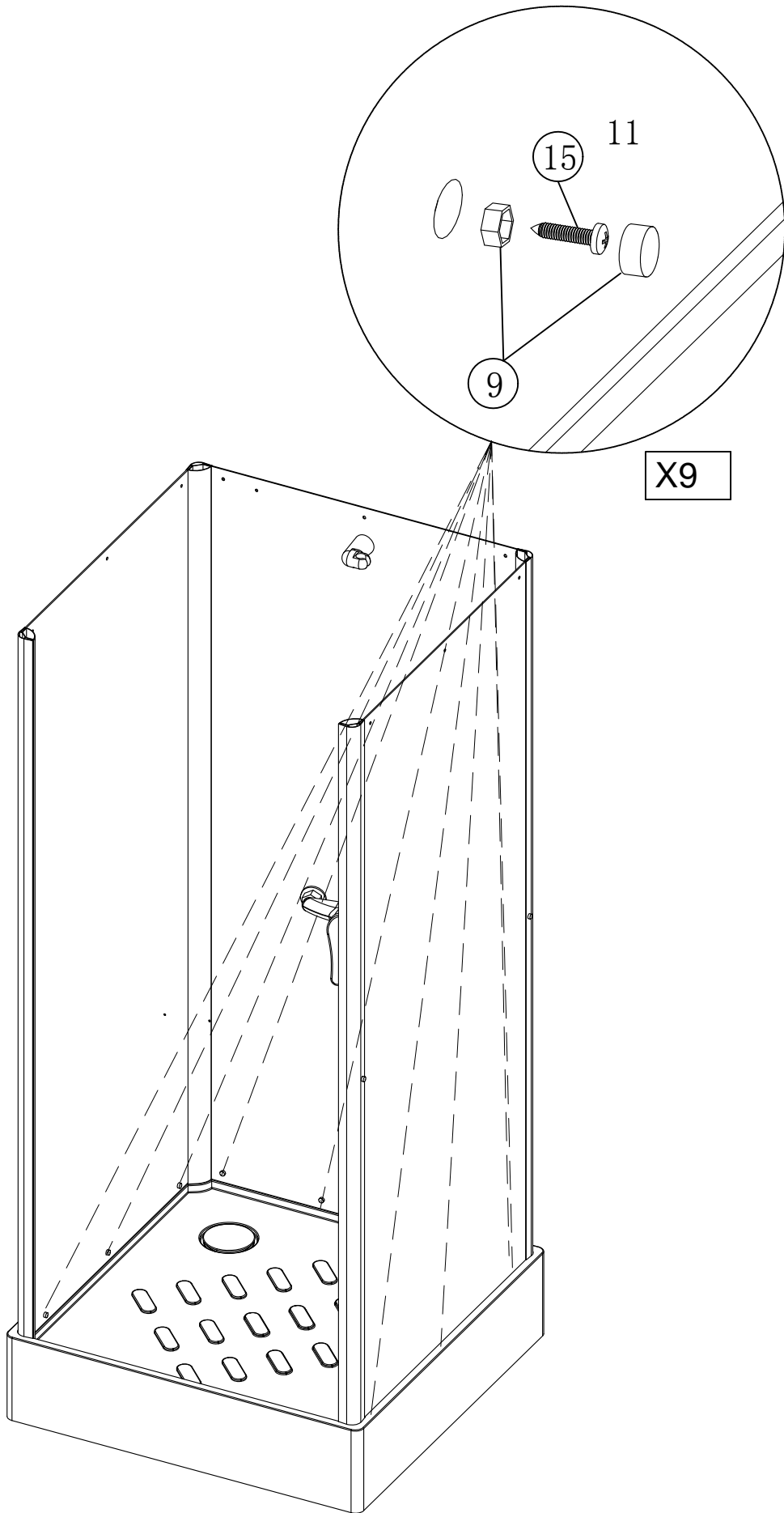


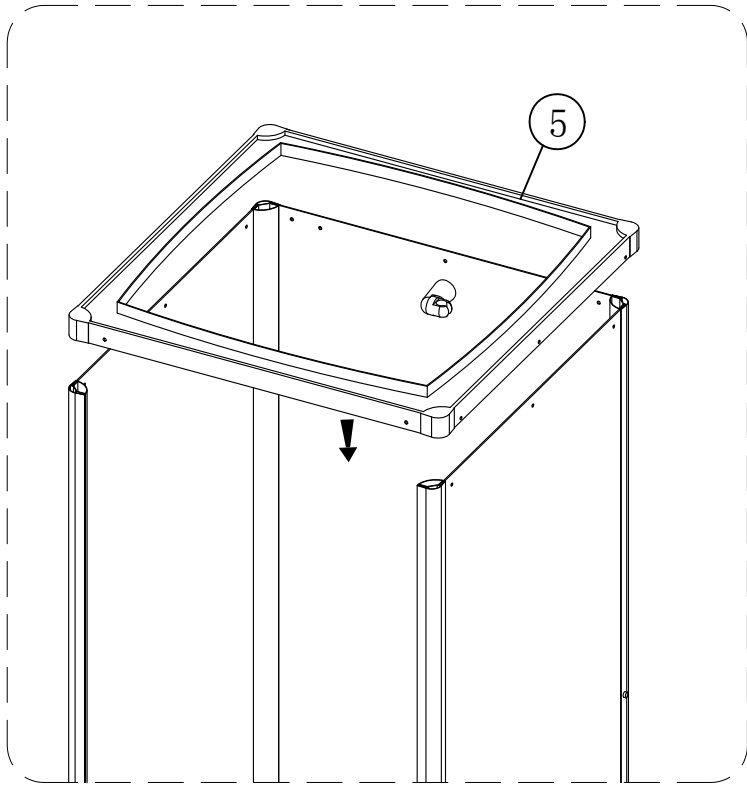




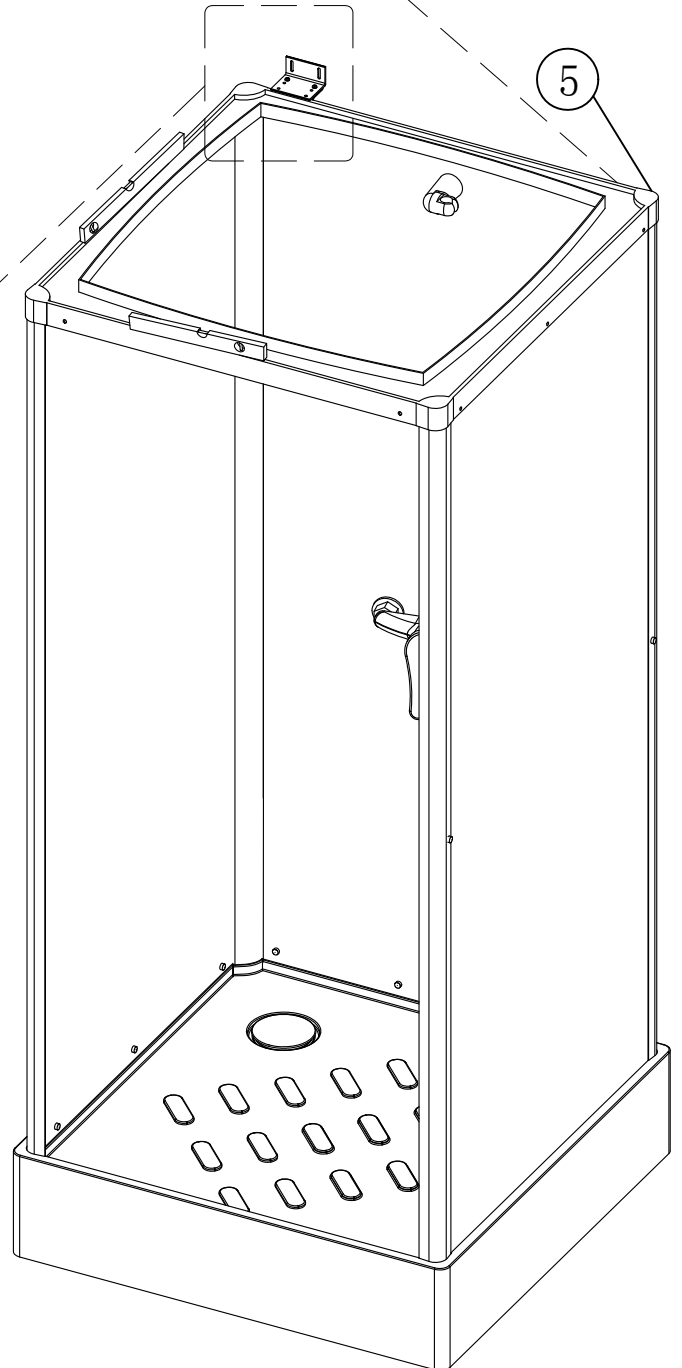
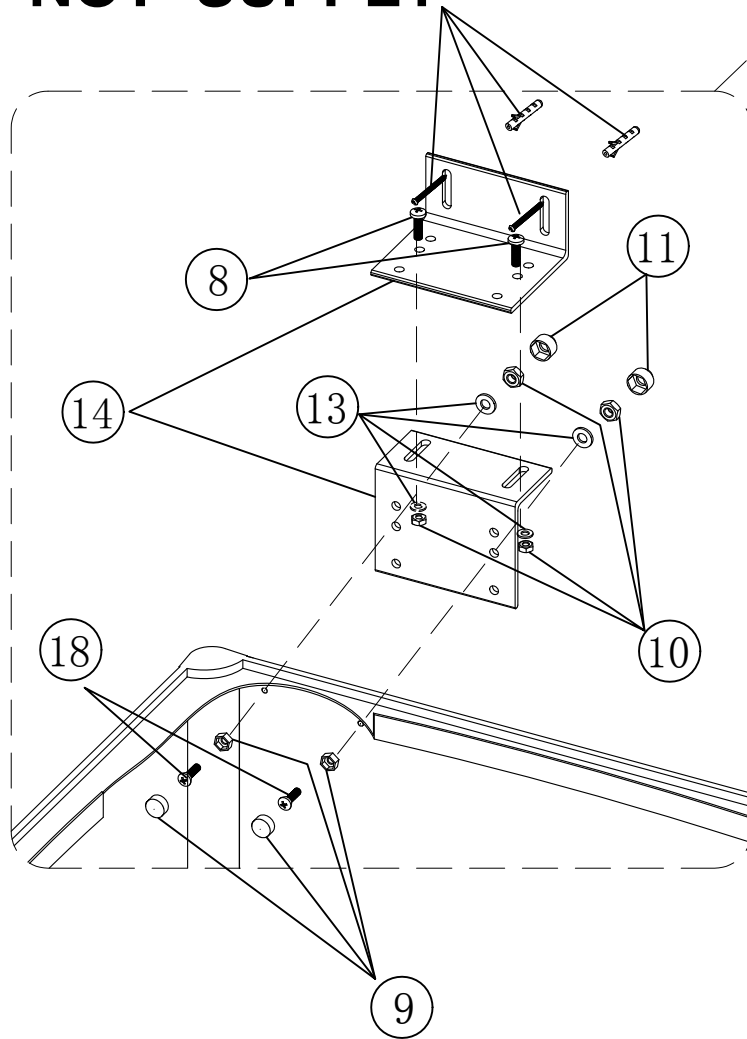


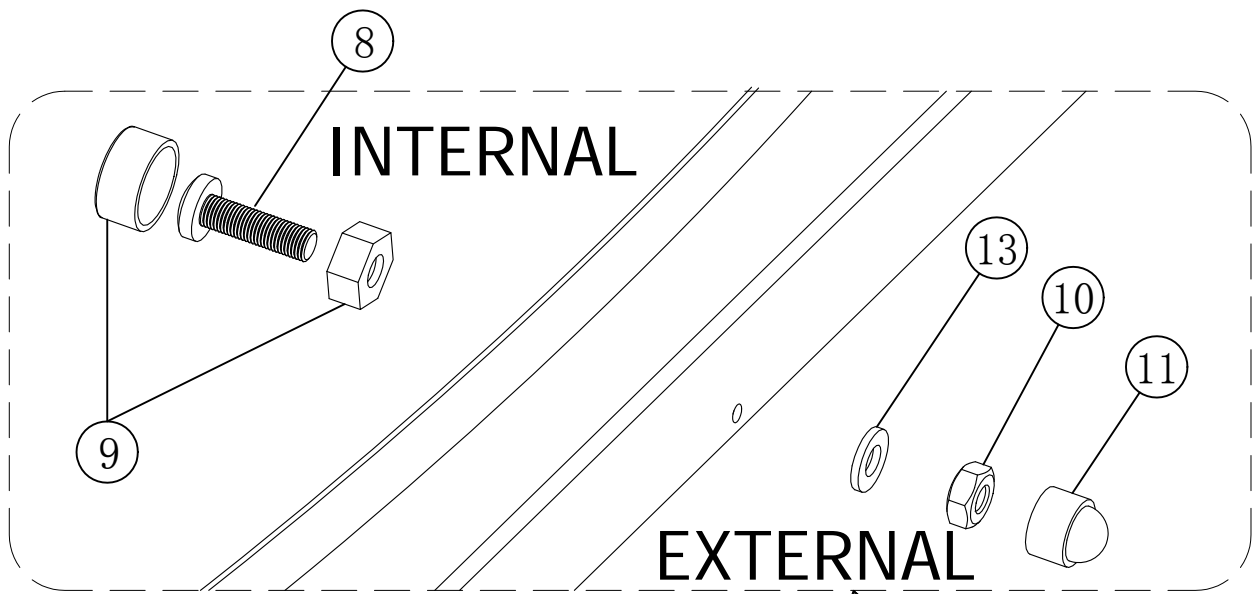






NOT SUPPLY





X8

