

# AS2 THBSM C

# ASSURE Tap Range

Assure TMV2 Thermostatic Bath Shower Mixer Chrome



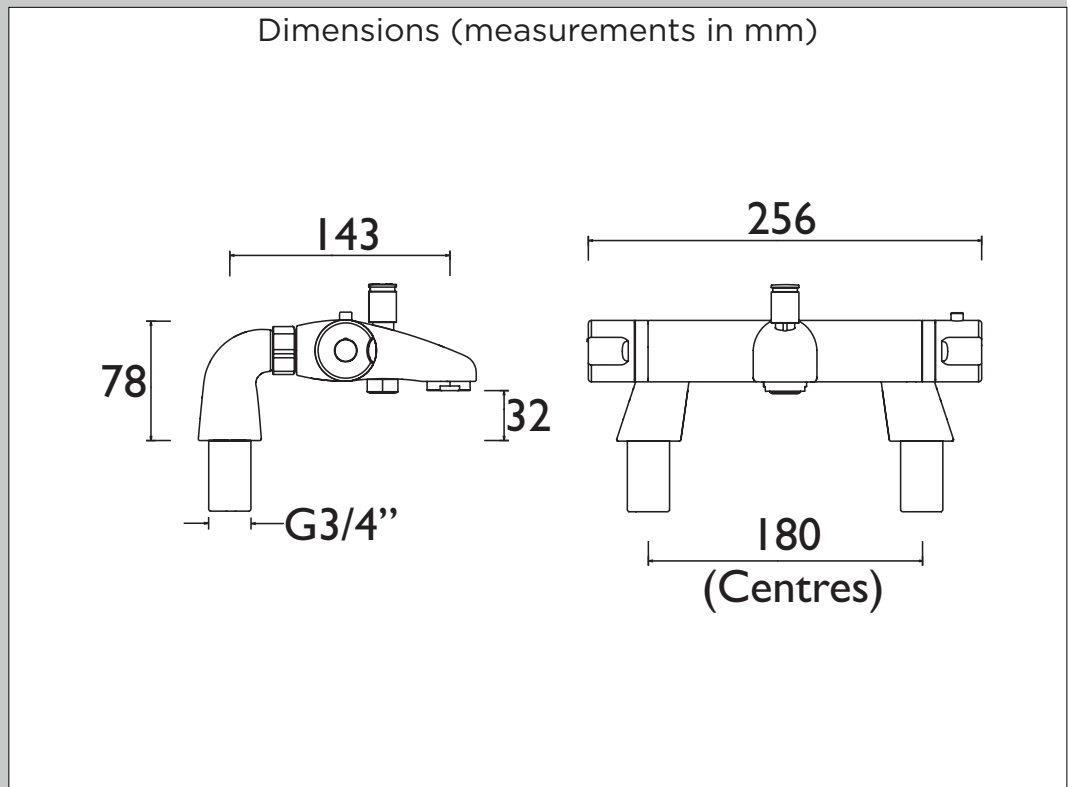
Specification	
Style:	Contemporary
Product Type:	Bathroom Taps
Finish/Colour:	Chrome
Main Construction Material:	Brass
Mount Type:	Deck Mounted
Handle Type:	Round
Connection Inlet:	3/4" BSP
Number of Tap Holes Required:	2
Valve/Cartridge Type:	Ceramic Disc Valve & Thermostatic Cartridge
Plumbing System Suitability	Nominally Balanced Supply Pressures Only
Working Pressure Range:	Min 0.5 Bar, Max 5.0 Bar
Maximum Hot Water Temperature: °c	80
Maximum Dynamic Pressure: (bar)	5
Maximum Static Pressure: (bar)	10
Flow Type:	Single Flow
Flow Rate: (l/min @ 3 bar)	27.7
Connection Outlet:	G 1/2"
Isolation Included:	No

## Features:

- Thermostatic TMV2 control to bath & shower functions
- Dual Control
- Pre-set maximum temperature at 38c which can be overridden
- Operates at a minimum pressure of 0.5bar
- Supplied without shower kit
- Can be wall mounted using WMNT10 C

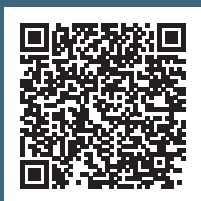
## Product Certifications:

WRAS Certificate Number: 1403097  
WRAS Expiry Date: 31/03/2019



Flow Rates (l/min)						
System Pressure (bar)	0.5	1	2	3	4	5
AS2 THBSM C	10.5	15.6	22.5	27.7	32.2	36.2

Also available from the ASSURE Tap Range is:



TECHNICAL  
DATA  
SHEET



**BRISTAN**  
TAPS & SHOWERS