

FRZ 1/2 C

FRENZY Tap Range Frenzy Basin Taps Chrome



Specification	
Style:	Contemporary
Product Type:	Bathroom Tap
Finish/Colour:	Chrome
Main Construction Material:	Brass
Mount Type:	Deck
Handle Type:	Paddle
Connection Inlet:	1/2" BSP
Number of Tap Holes Required:	2
Valve/Cartridge Type:	1/2" Ceramic Disc Valves
Plumbing System Suitability	All, preferably balanced
Working Pressure Range:	Min 0.2 bar - Max 5.0 bar
Maximum Hot Water Temperature: °c	65
Maximum Dynamic Pressure: (bar)	5 bar
Maximum Static Pressure: (bar)	10
Flow Type:	Single Flow
Flow Rate: (l/min @ 3 bar)	29.9
Connection Outlet:	M18 Flow Straightener
Isolation Included:	No

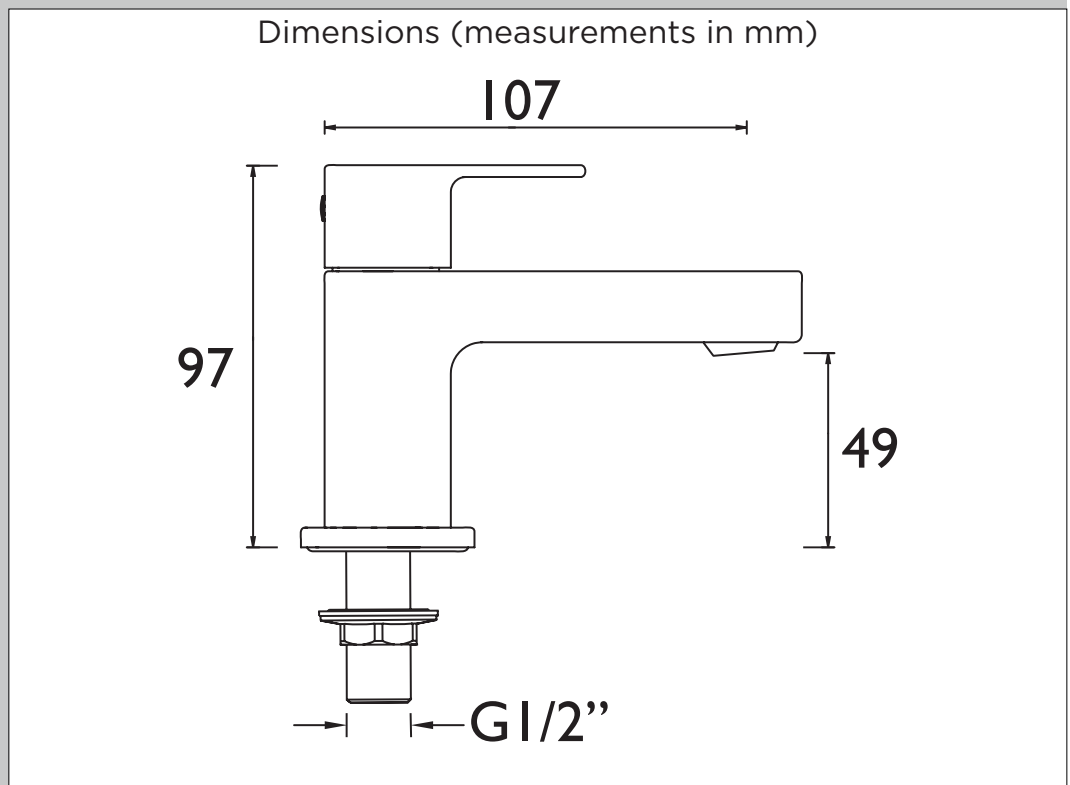
Features:

- Metal Backnuts
- Ceramic Disc

Product Certifications:



For more products, visit our website:



Flow Rates (l/min)						
System Pressure (bar)	0.2	0.5	1	2	3	5
FRZ 1/2 C	6.9	11.1	16.3	23.5	29.9	38.6

TECHNICAL
DATA
SHEET



BRISTAN
TAPS & SHOWERS

D3