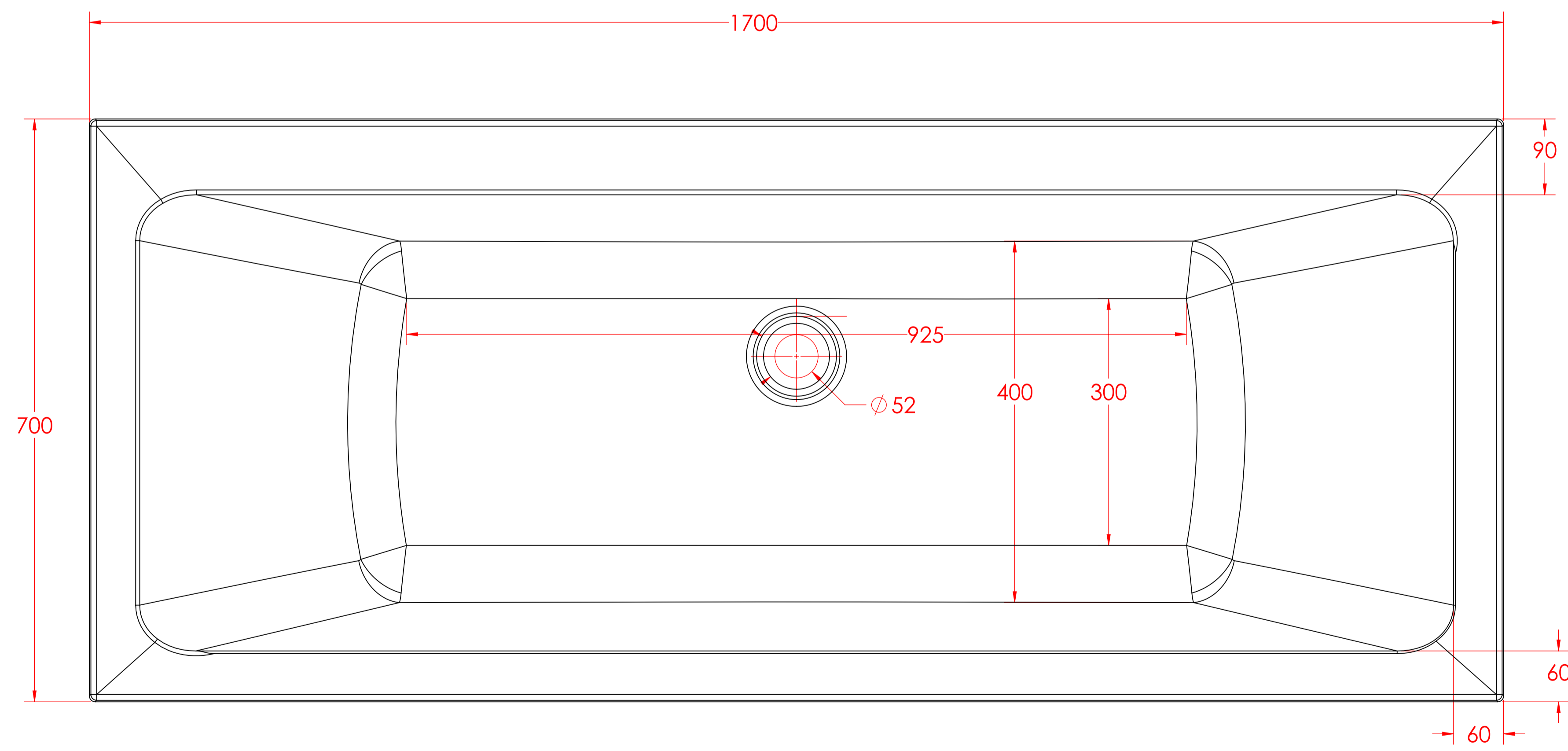
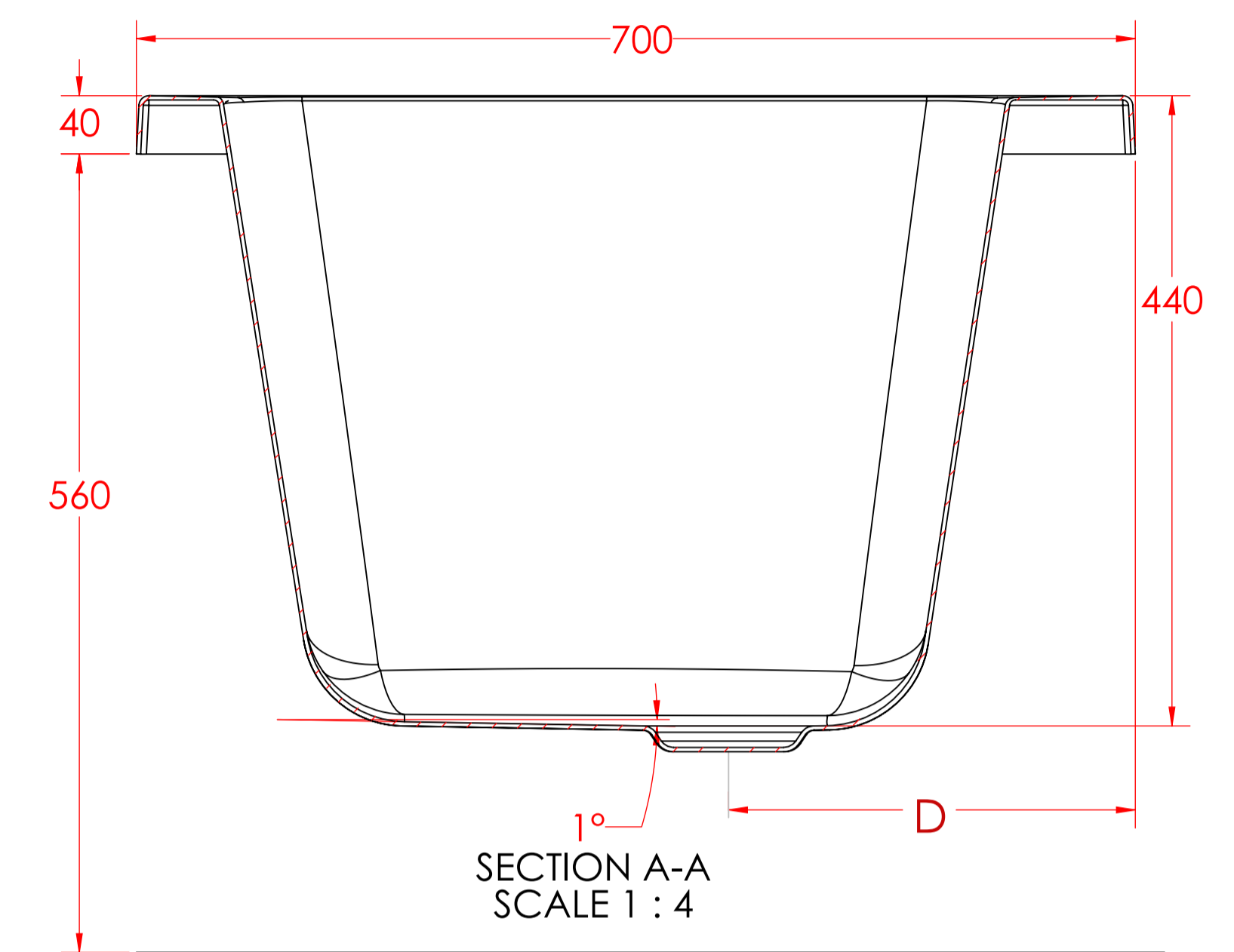
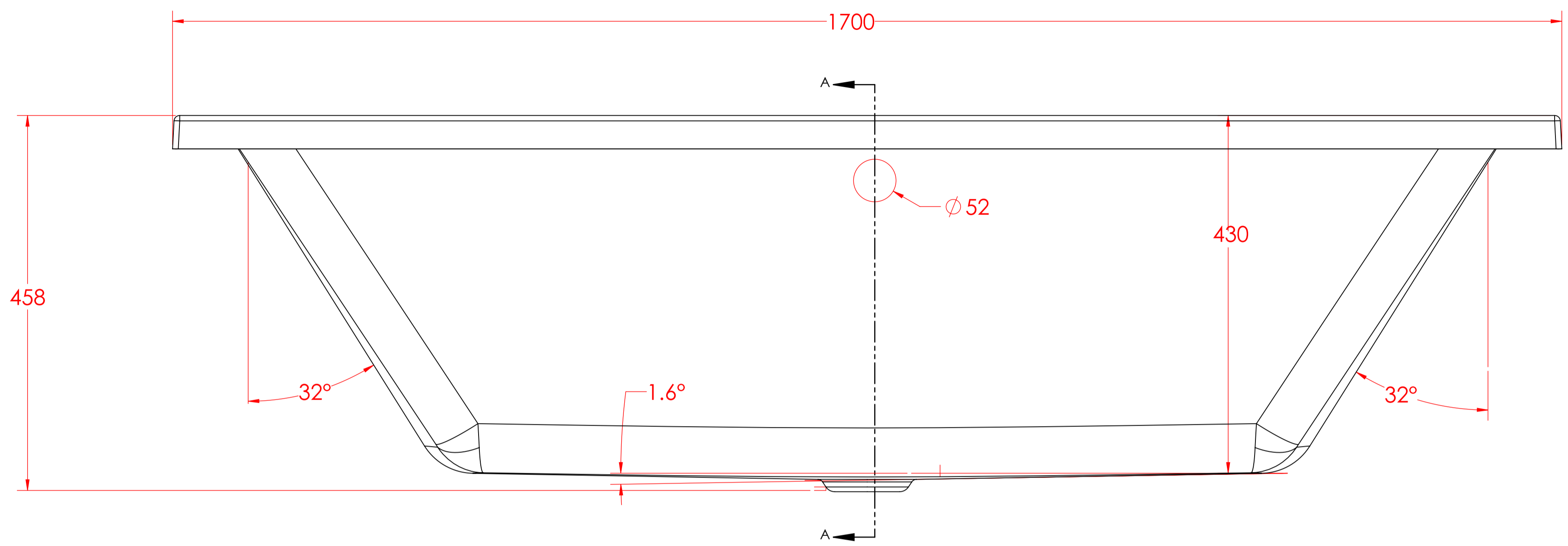


16 15 14 13 12 11 10 9 8 7 6 5 4 3 2 1

M
L
K
J
H
G
F
E
D
C
B
A

M
L
K
J
H
G
F
E
D
C
B
A



CLIENT APPROVAL:				DO NOT SCALE DRAWING		KEYSIGN
UNLESS OTHERWISE SPECIFIED: DIMENSIONS ARE IN MILLIMETERS SURFACE FINISH: TOLERANCES: LINEAR: ANGULAR:				FINISH:	DEBURR AND BREAK SHARP EDGES	
DRAWN	R Beckett	SIGNATURE	DATE		TITLE	
CHKD	R Beckett		24/09/20		PORTLAND DE 1700x700x440	
APPVD	M Turner		25/09/20		DWG NO.	
MFG					NPD_ESTBK 0052_092020	
Q.A.				MATERIAL:	A1	
				WEIGHT:	SCALE: 1:4	
					SHEET 1 OF 1	



16 15 14 13 12 11 10 9 8 7 6 5 4 3 2 1