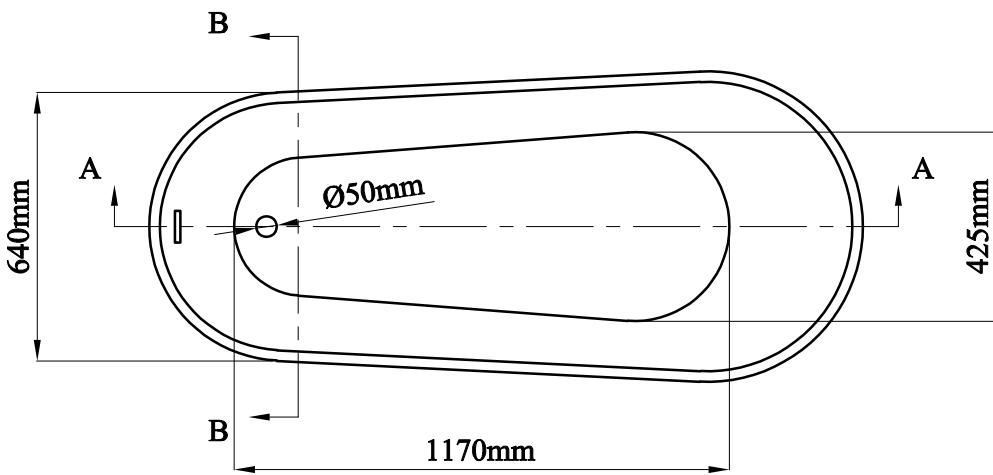
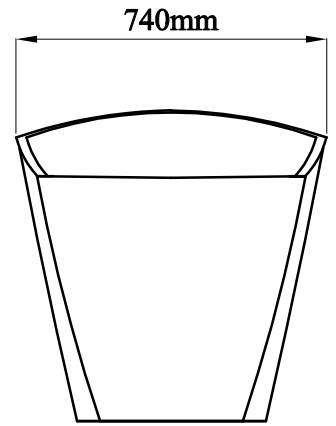
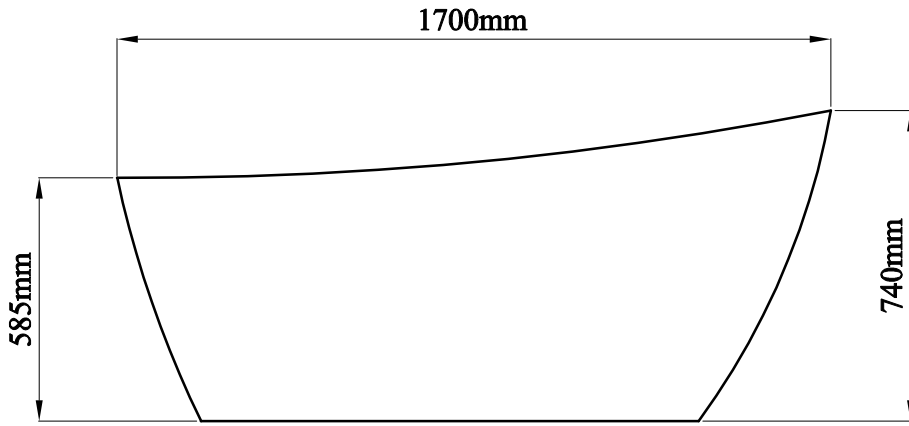


Item No.: 35.0010

Measurement: 1700x740x740 mm



SECTION A-A

SECTION B-B

