



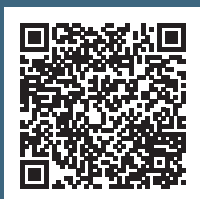
### Features:

- Metal backnuts
- Ceramic disc
- Metal handles
- Chrome plated to BS EN 248

### Product Certifications:



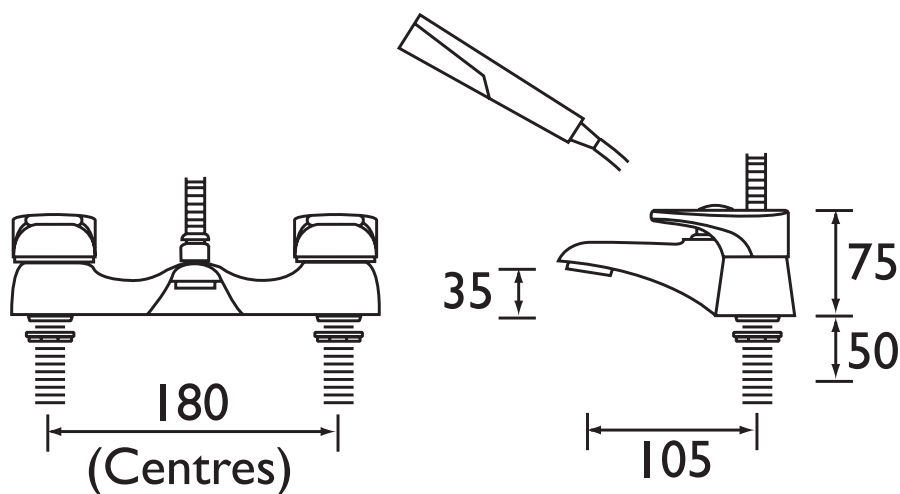
Also available from the JUTE Tap Range is:



### Specification

Style:	Contemporary
Product Type:	Bathroom Tap
Finish/Colour:	Chrome
Main Construction Material:	Yes
Mount Type:	Deck Mounted
Handle Type:	Lever
Connection Inlet:	3/4" BSP
Number of Tap Holes Required:	2
Valve/Cartridge Type:	¼ Turn ¾" Ceramic Disc Valves
Plumbing System Suitability	All, Preferably Balanced
Working Pressure Range:	Min. 0.2 bar, Max. 5.0 bar
Maximum Hot Water Temperature: °c	65
Maximum Dynamic Pressure: (bar)	5
Maximum Static Pressure: (bar)	10
Flow Type:	Single
Flow Rate: (l/min @ 3 bar)	16.5
Connection Outlet:	M28 Flow Straightener
Isolation Included:	N

### Dimensions (measurements in mm)



### 1500mm Hose, Rub Clean Handset & Wall Bracket

### Flow Rates (l/min)

System Pressure (bar)	0.2	0.5	1	2	3	5
Bath Filler	20.7	34.2	48.9	69.4	85	109.7
Handset	3.1	5.5	8.3	12.5	16.5	21.3

## TECHNICAL DATA SHEET



# BRISTAN

TAPS & SHOWERS