

NR BSM C

NERO Tap Range Nero Bath Shower Mixer Chrome



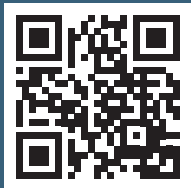
Features:

- Long life and easy to use 1/4 turn ceramic disc valves
- Metal back nuts for added durability
- Includes 1.75m hose, rub-clean anti-limescale handset and wall bracket
- Easy to use lever handles
- 1.75m shower hose

Product Certifications:



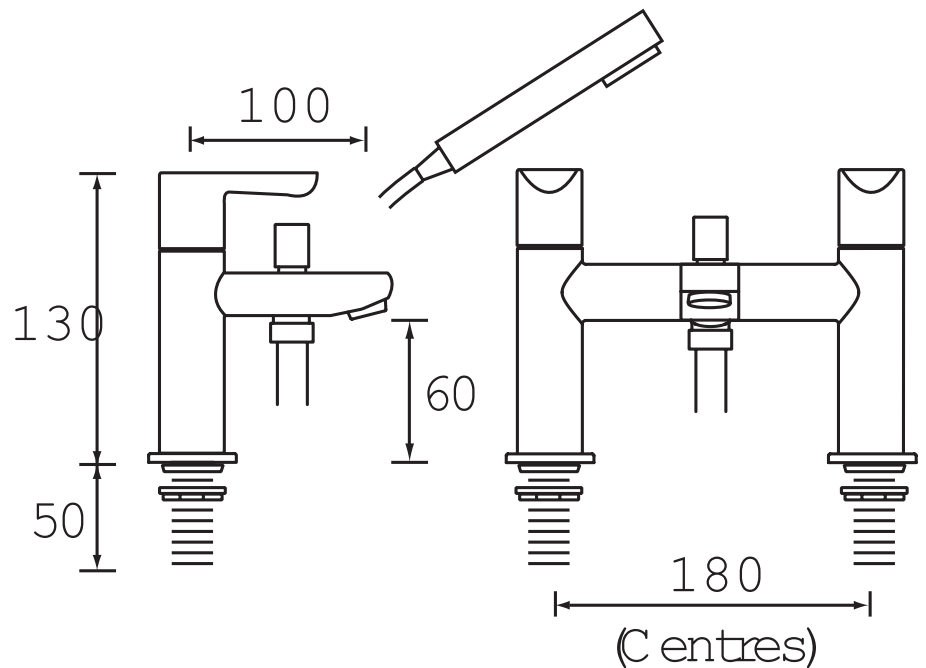
For more products, visit our website:
<http://www.bristan.com>



Specification

Product Type:	Bathroom Tap
Main Construction Material:	Brass
Mount Type:	Deck Mounted
Handle Type:	Lever Handles
Connection Inlet:	3/4" BSP
Connection Outlet:	N/A
Number of Tap Holes:	2
Valve/Cartridge Type:	Quarter Turn 3/4" Ceramic Disc Valve
Plumbing System Requirements:	All - Ideally Balanced
Working Pressure Range:	Min. 0.2 Bar - Max 8.0 Bar
Maximum Hot Water Temperature: °C	60
Maximum Static Pressure: (bar)	10
Flow Type:	Single Flow
Isolation Included:	No

Dimensions (measurements in mm)



1750mm Hose, Rub Clean
Handset & Wall Bracket

Flow Rates (l/min)

System Pressure (bar)	0.2	0.5	1	2	3	5
NR BSM C	20.7	34	48.7	70.1	85.9	110.9

TECHNICAL DATA SHEET



BRISTAN

D4