

TECHNICAL DATA SHEET



NERO Bath Filler

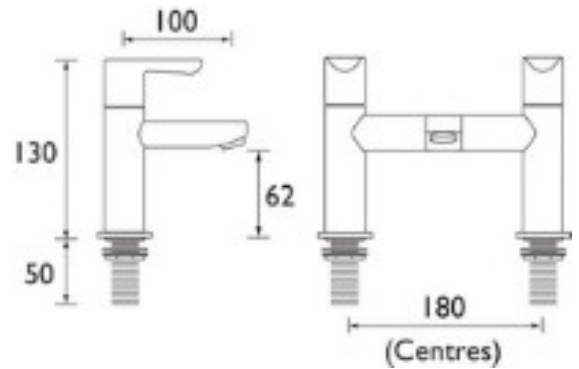
Product Specification

Product Code:	NR BF C
Finish:	Chrome
Product Type:	Contemporary
Construction:	Body is of Brass Construction and is designed to conform to BS EN 200
Valve Type:	¼ turn ¾" Ceramic Disc Valves
Supply:	Suitable for all plumbing systems, preferably balanced
Inlet Connections:	¾" BSP
Water Pressure:	Min 0.2 bar, Max. 8.0 bar
Dimensions for Fitting:	180mm inlet centres



Additional Information

- Supplied with metal handles and backnuts
- Chrome plated to BS EN 248



Flow Rates (litres per minute)

System Pressure	0.2bar	0.5bar	1.0bar	2.0bar	3.0bar	5.0bar
Open Outlet	28.1	46.8	67	95.3	116.7	150.6

Technical Advice: For further information please call 0844 7016273
or email customercare@bristan.com

Guarantee: 5 years covering manufacturing faults.

Bristan, Birch Coppice Business Park, Dordon, Tamworth, B78 1SG
Telephone: 0844 701 6274 Facsimile: 0844 701 6275
Web Site: www.bristan.com Email: enquire@bristan.com

