

SAF ES BAS BLK

SAFFRON Tap Range Saffron Eco Start Basin Mixer with Clicker Waste Black



Features:

- Eco Start technology saves energy by having cold water as the default central start position of the tap handle. Hot water is only activated when the tap lever is moved from the central position, so your boiler is not unnecessarily fired up.
- This tap has a flow regulator, which limits the flow of water to 5 litres per minute, reducing the amount of water you use.
- Long life ceramic cartridge for added durability and smooth control.
- Everything you need in the box including flexible tails and clicker waste so nothing to buy separately.
- On-trend matt black finish to make a statement in your bathroom.

Product Certifications:



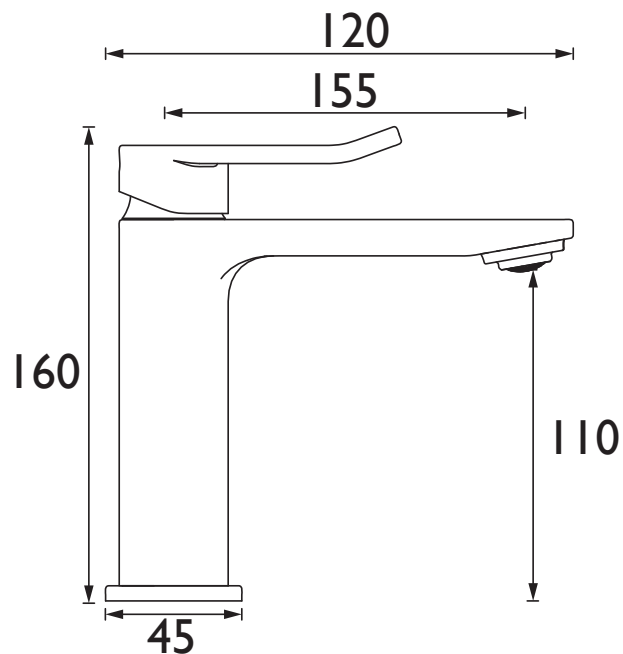
WRAS Certificate No: 2307905
WRAS Expiry Date: 31/07/2028



Specification

Product Type:	Bathroom Taps
Main Construction Material:	Brass
Mount Type:	Deck
Handle Type:	Lever
Connection Inlet:	1/2" BSP Flexible Tails
Connection Outlet:	M24 5lpm Coin-Slot Aerator
Number of Tap Holes:	1
Valve/Cartridge Type:	28mm Eco-Start Cartridge
Plumbing System Requirements:	Suitable for all plumbing systems
Minimum Dynamic Pressure (bar):	0.5 bar
Maximum Dynamic Pressure (bar):	5 bar
Maximum Hot Water Temperature °C:	60°C
Maximum Static Pressure (bar):	10 bar
Flow Type:	Single
Isolation Included:	No

Dimensions (measurements in mm)



Flow Rates (l/min)

System Pressure (bar)	0.5	0.5	1	2	3	5
SAF ES BAS BLK (mixed)	2.6	2.6	3.7	4.6	4.7	5

TECHNICAL DATA SHEET



BRISTAN

D2