

TECHNICAL DATA SHEET

BRISTAN

COMMERCIAL

Exposed Timed Flow Control
for Water Economy

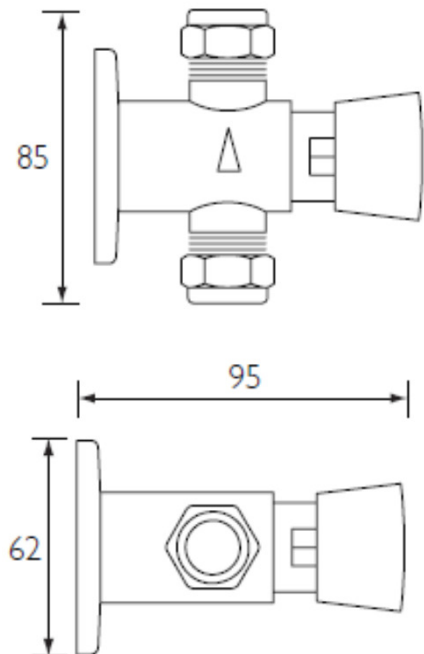
Product Specification

Product Code: TUF100ECP
 Finishes: Chrome
 Product Type: Commercial
 Construction: Body is of Brass Construction
 Supply: Suitable for all plumbing systems, preferably balanced
 Inlet Connection: 15mm
 Outlet Connection: 15mm
 Working Pressures: Min 0.2 Bar, Max 3.0 Bar



Additional Information

- 25 second time delay
- Compatible with thermostatic mixing valves, showerheads, arms and slide bar shower kits
- Operates showers or urinals
- Robust construction
- Interchangeable spray rings and adjustable spray angle between 25° and 35°
- Recommended for Education or Sports & Leisure environments



Flow Rates (litres per minute)

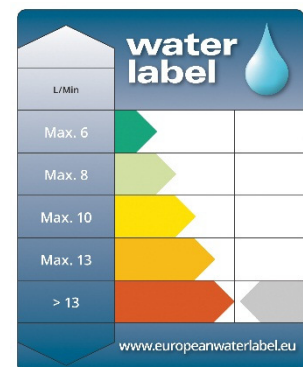
System Pressure	0.2bar	0.5bar	1.0bar	2.0bar	3.0bar	5.0bar
Open Outlet	5.68	8.98	12.7	17.96	22	28.4

Compliance / Approvals

WRAS Approval No: 1210018

Technical Advice: For further information please call 0844 7016273
or email customercare@bristan.com

Guarantee: 1 year covering manufacturing faults.



Bristan, Birch Coppice Business Park, Dordon, Tamworth, B78 1SG
 Telephone: 0844 701 6274 Facsimile: 0844 701 6275
 Web Site: www.bristan.com Email: enquire@bristan.com



The information contained on this page was correct at date of issue. Fitting dimensions are provided as a guide only. Some variation may occur due to manufacturing tolerances. Bristan pursues a policy of continuing improvement in design and performance of its products and so reserves the right to change specifications without prior notice.