

## Concealed Timed Flow Control for Water Economy

Product Code

TUF100CCP

Finish/Model Type

Chrome

Weblink

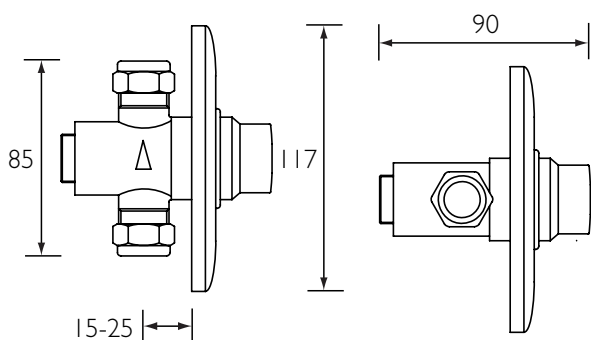
<http://www.specifybristan.com/TUF100CCP>

- 25 second time delay
- Operates showers or urinals
- Minimum working pressure 0.2 bar



Education

Sports & Leisure



Recommended items: visit [www.specifybristan.com](http://www.specifybristan.com)

Thermostatic mixing valves

Showerheads and arms

Slide bar shower kits

All measurements in mm (unless stated otherwise)

Inlet connection 15mm

Outlet connection 15mm

### Performance with open outlet

Pressure Drop	0.1	0.2	0.5	1	2	3	4	5
Flow Rate	4	6	9	13	18	22	26	30

Call our specifier helpline on **0844 701 6273**

or visit [www.specifybristan.com](http://www.specifybristan.com)

Bristan, Birch Coppice Business Park,  
Dordon, Tamworth, Staffordshire B78 1SG



Product Code

TUF100CCP

**Pressures**

- Minimum pressure drop: 0.1 bar
- Maximum dynamic pressure: 3 bar