

DEL ES BAS C

DELGADO Tap Range Delgado Eco Start Basin Mixer with Clicker Waste Chrome



Features:

- Eco Start technology saves energy by having cold water as the default central start position of the tap handle. Hot water is only activated when the tap lever is moved from the central position, so your boiler is not unnecessarily fired up.
- This tap has a flow regulator, which limits the flow of water to 5 litres per minute, reducing the amount of water you use.
- Long life ceramic cartridge for added durability and smooth control.
- Everything you need in the box including flexible tails and clicker waste so nothing to buy separately.
- A hard-wearing, flawless, scratch resistant chrome finish that lasts for years. Salt spray tested to ensure added durability.
- 10-year parts and 1 year labour guarantee for peace of mind.
- Also available in black.
- Co-ordinating Bathroom taps available.

Product Certifications:



For more products, visit our website:

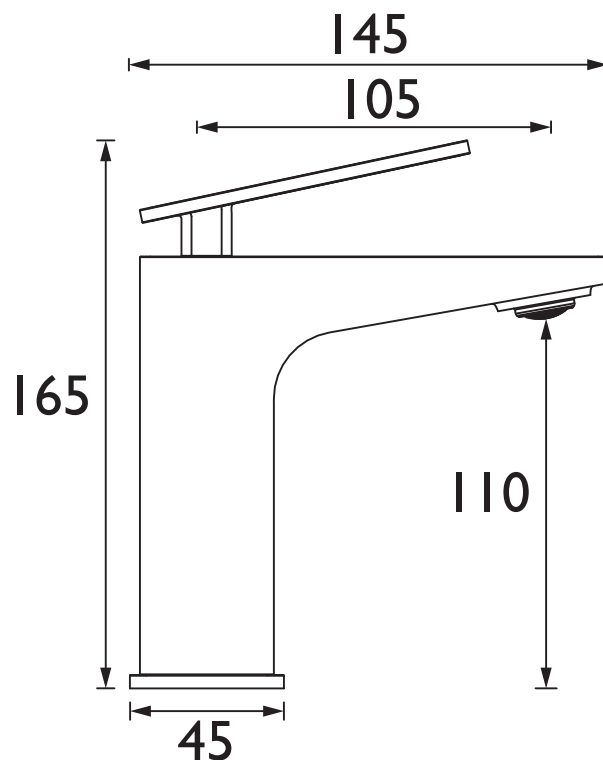
<http://www.bristan.com>



Specification

| | |
|--|--------------------------------------|
| Product Type: | Bathroom Taps |
| Main Construction Material: | Brass |
| Mount Type: | Deck |
| Handle Type: | Flat Angled Lever |
| Connection Inlet: | 1/2" BSP Flexible Tails |
| Connection Outlet: | M24 5lpm Coin Slot Aerator |
| Number of Tap Holes: | 1 |
| Valve/Cartridge Type: | 28mm Cold Start Upper Seal Cartridge |
| Plumbing System Requirements: | Suitable for all plumbing systems |
| Minimum Dynamic Pressure (bar): | 0.5 bar |
| Maximum Dynamic Pressure (bar): | 5 bar |
| Maximum Hot Water Temperature °C: | 60°C |
| Maximum Static Pressure (bar): | 10 bar |
| Flow Type: | Single |
| Isolation Included: | No |

Dimensions (measurements in mm)



Flow Rates (l/min)

| System Pressure (bar) | 0.5 | 1 | 2 | 3 | 5 |
|-----------------------|-----|-----|-----|-----|-----|
| DEL ES BAS C (mixed) | 3.2 | 4.2 | 5.2 | 5.6 | 5.6 |

TECHNICAL DATA SHEET



BRISTAN

D1