

# EV KIT-EEVK C

## Accessories Multi-Function Extended Slide Bar Shower Kit Chrome



### Features:

- Extended 910mm slide rail
- Extended 1.75m hose
- Multi-function (3 spray settings), rub clean, anti-limescale handset
- Push button slider mechanism
- Soap tray with integral closed loop hose retainer

### Product Certifications:



WRAS Certificate No: 1801061  
WRAS Expiry Date: 31/01/2023

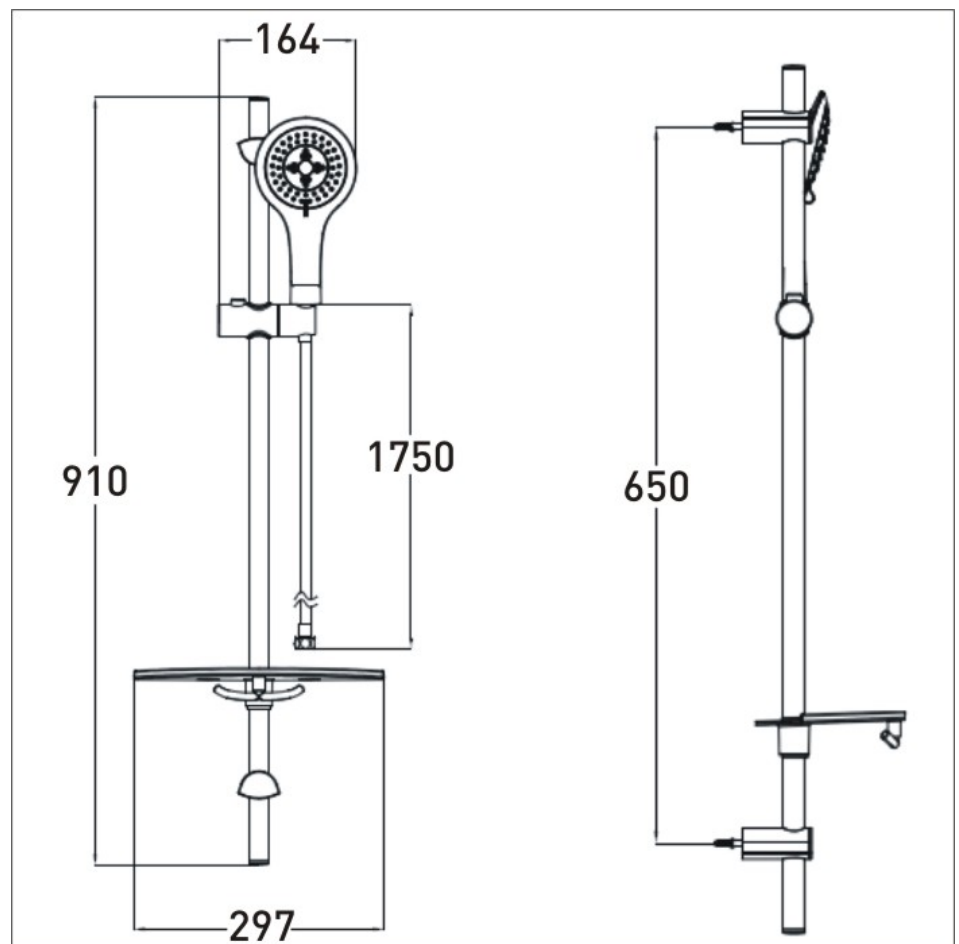
For more products, visit our website:  
<http://www.bristan.com>



### Specification

Main Construction Material:	Plastic
Adjustable Bracket:	Yes
Connection Inlet:	G 1/2"
Connection Outlet:	G 1/2"
Contemporary or Traditional:	Contemporary
Left or Right Handed:	Both
Riser Length: (mm)	910
Rub Clean Handset:	Yes

### Dimensions (measurements in mm)



## TECHNICAL DATA SHEET



# BRISTAN

D5