

VR3000FF

Accessories Vandal Resistant Adjustable Fast Fit Showerhead



Specification	
Main Construction Material:	Brass
Connection Inlet:	15mm
Connection Outlet:	N/A
Contemporary or Traditional:	Traditional
Product Type:	Commercial
Riser Length: (mm)	N/A
Working Pressure Range:	Dependent upon shower valve/mixing valve specified
Finish:	Chrome
Plumbing System Requirements:	Suitable for all plumbing systems

Features:

- Robust construction for use with concealed pipework in high risk areas
- Easy to install, fast-fit external connections
- Anti-grip curved design with tamperproof fixings and anti-rotation system
- Interchangeable spray rings and adjustable spray angle 25°-35°
- 15mm inlet connection

Product Certifications:

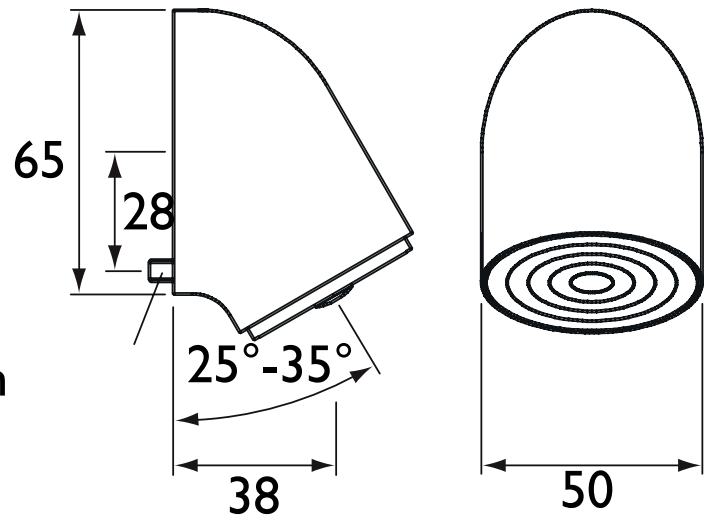


WRAS Cert. Number: 2006909
WRAS Expiry Date: 30/06/2025

For more products, visit our website:
<http://www.bristan.com>



Dimensions (measurements in mm)



TECHNICAL
DATA
SHEET



BRISTAN

D3