

W BATH08 C

Wastes Traditional Exposed Bath Waste with Overflow Chrome



Specification

Contemporary or Traditional:	Traditional
Main Construction Material:	Brass
Connection Inlet:	G1 1/2"
Waste Flow Rate (litres per minute):	58.6
What's in the Box?:	1x Bath Waste, 1x Screw, 1x Sealing Washer, 1x Foam Washer, 1x Flange, 1x Waste Body, 1x Conical Washer, 1x Plug And Ball Link Chain, 1x Overflow Plate, 1x Screw, 1x Overflow Seal Washer, 1x Overflow Elbow, 1x Fixed Overflow Pipe, 1x Conical Washer, 1x Nut, 1x Fitting Instructions

Features:

- Solid brass construction
- Chain length 600mm

Product Certifications:

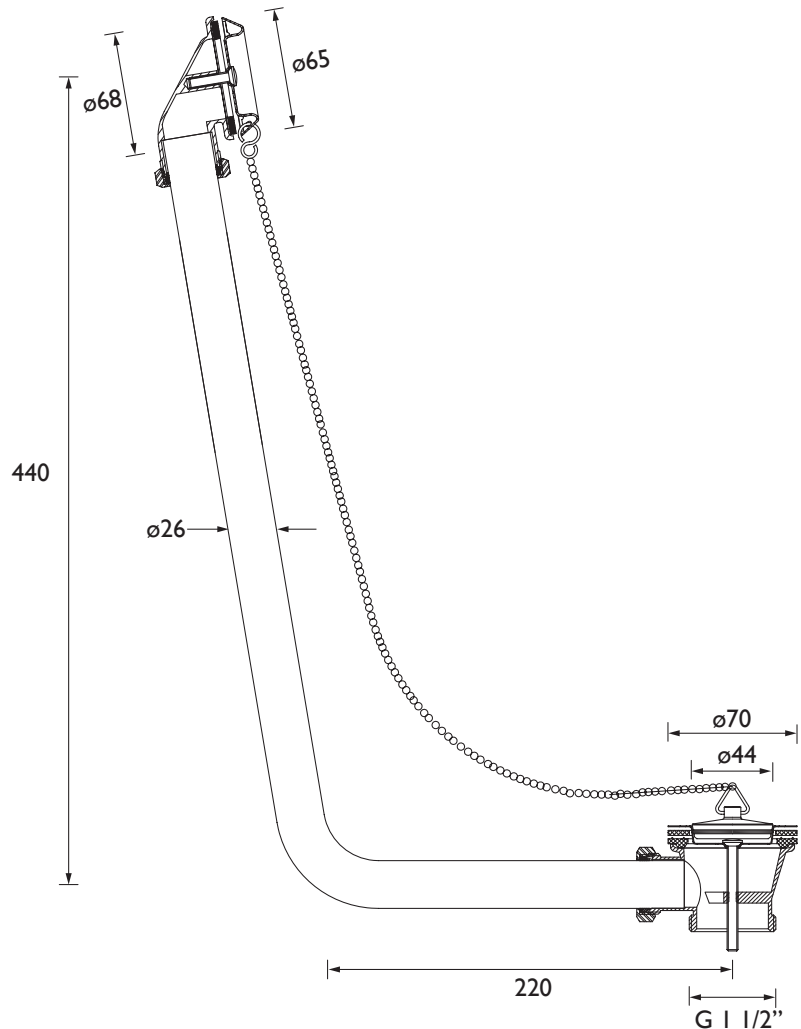
Variant SKUs:

- W BATH08 G

For more products, visit our website:
<http://www.bristan.com>



Dimensions (measurements in mm)



TECHNICAL DATA SHEET



BRISTAN

D4