

# MINI2 TS1203 CH C COMMERCIAL Shower Range

## MINI TS1203 Concealed Shower Valve with Handwheel Chrome



### Specification

|                                      |                          |
|--------------------------------------|--------------------------|
| Finish/Colour:                       | Chrome                   |
| Main Construction Material:          | Brass                    |
| No of Controls:                      | 1                        |
| Shower Type:                         | Concealed                |
| Shower Head Type:                    | Valve Only               |
| Valve/Cartridge Type:                | Thermostatic Cartridge   |
| Maximum Hot Water Supply Temperature | 65                       |
| Maximum Static Pressure: (bar)       | 10                       |
| Plumbing System Suitability:         | All, Preferably Balanced |
| Working Pressure Range:              | Min 0.1 bar, Max 5.0 bar |
| Connection Inlet:                    | 15mm Compression         |
| Connection Outlet:                   | 1/2" BSP                 |
| Isolation Valve Included:            | No                       |
| Check Valve Included:                | Yes                      |

### Features:

- Single sequential control for both temperature and flow
- Concealed shower with easy-access cover plate for servicing
- Integral isolator and easy clean filters
- High performance even at low pressures
- Inlet centres of 99mm +/- 1mm

### Product Certifications:



WRAS Certificate No: 1904904  
WRAS Expiry Date: 30/04/2024



TMV2 Cert. Number: NSF2126/0619  
TMV2 Expiry Date: 13/06/2024

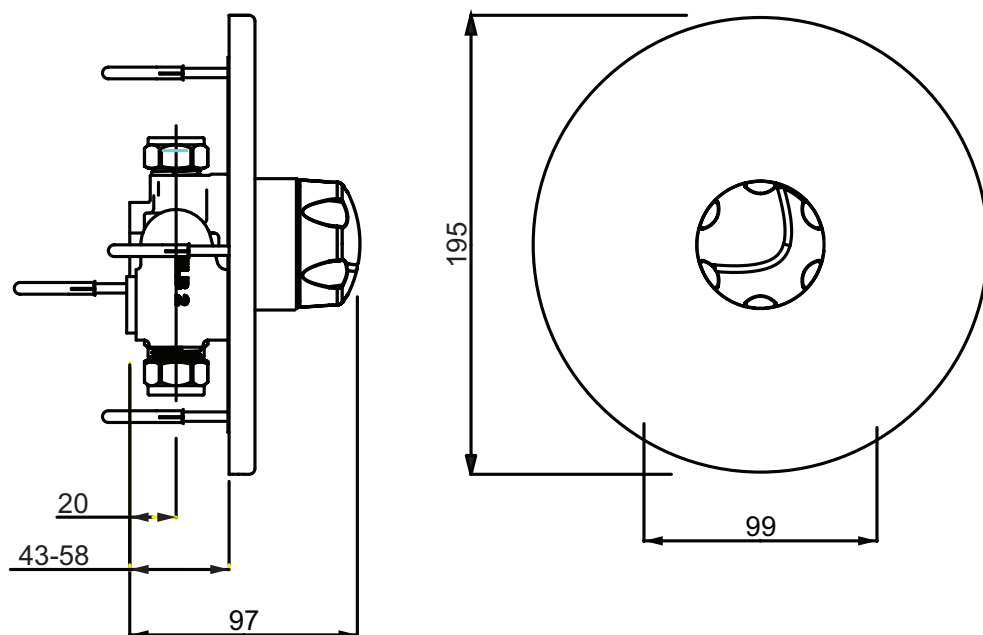


TMV3 Cert. Number: NSF2125/0619  
TMV3 Expiry Date: 13/06/2024

For more products, visit our website:  
<http://www.bristan.com>



### Dimensions (measurements in mm)



### Flow Rates (l/min)

| System Pressure (bar)    | 0.2 | 0.5 | 1   | 2   | 3   | 5   |
|--------------------------|-----|-----|-----|-----|-----|-----|
| With Fitted Flow Limiter | 11  | 20  | 7.8 | 8.8 | 9.1 | 9.3 |

## TECHNICAL DATA SHEET



# BRISTAN

D5