

OP TS1503 SCL C

COMMERCIAL Shower Range Opac Thermostatic Exposed Shower Valve with Chrome Lever and Shroud



Features:

- Single sequential control for both temperature and flow
- ABS protective shroud ensures safe surface temperature
- High performance at pressures as low as 0.2 bar
- Automatic shutoff in the event of hot or cold water supply failure
- Adjustable inlet elbows allow centres between 125mm - 132mm
- OPAC Thermostatic TMV3 Exposed Shower Valve with Shroud for User Safety and Chrome Lever for Ease of Use.

Product Certifications:



WRAS Cert. Number: 2310901
WRAS Expiry Date: 31/10/2028



TMV3 Cert. Number: NSF2014/0718
TMV3 Expiry Date: 06/07/2023

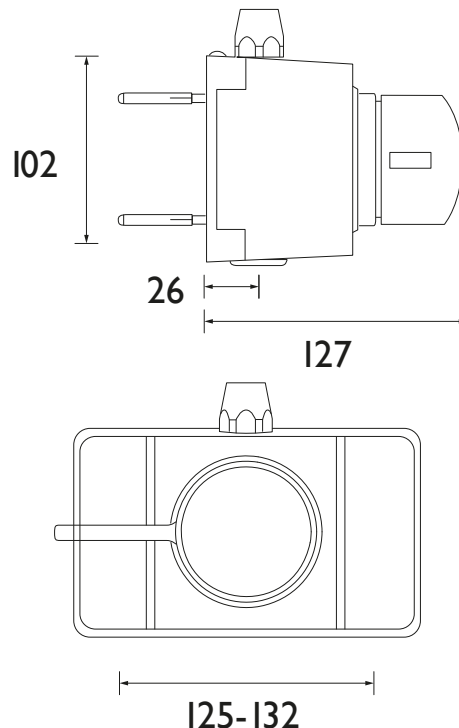
For more products, visit our website:
<http://www.bristan.com>



Specification

Finish/Colour:	Chrome
Main Construction Material:	Brass
No of Controls:	1
Shower Type:	Opac Thermostatic Exposed Shower
Shower Head Type:	N/A
Valve/Cartridge Type:	Sequential Cartridge
Maximum Hot Water Supply Temperature °C:	80
Plumbing System Suitability:	Suitable for all plumbing systems, ideally balanced
Minimum Dynamic Pressure (bar):	0.2
Maximum Dynamic Pressure (bar):	8
Maximum Static Pressure (bar):	8
Connection Inlet:	15mm Compression Elbows
Connection Outlet:	1/2" BSP
Isolation Valve Included:	No
Check Valve Included:	Yes

Dimensions (measurements in mm)



Flow Rates (l/min)

System Pressure (bar)	0.2	0.5	1	2	3	5
Flow Limiter Fitted	4.6	6.8	7.1	8.1	8.6	9

TECHNICAL DATA SHEET



BRISTAN

D6