

IRS BSM C

IRIS Tap Range Iris Bath Shower Mixer Chrome



Features:

- A hard-wearing, flawless chrome finish that lasts for years
- Long life and easy to use 1/4 turn ceramic disc valves
- This bath shower mixer includes a hose and single function handset
- Supplied with metal fixing nuts to secure your tap in place
- Suitable for high and low pressure water systems

Product Certifications:



WRAS Cert. Number: 2003098
WRAS Expiry Date: 31/03/2025



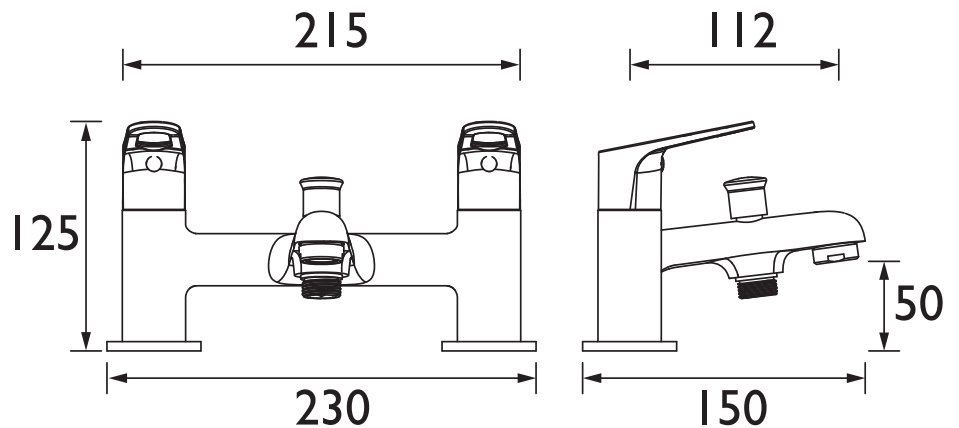
For more products, visit our website:
<http://www.bristan.com>



Specification

Product Type:	Bathroom Taps
Main Construction Material:	Brass
Mount Type:	Deck Mounted
Handle Type:	Lever Handles
Connection Inlet:	3/4" BSP
Connection Outlet:	M24 Flow Straightener
Number of Tap Holes:	2
Valve/Cartridge Type:	3/4" Ceramic Disc Valves - 1/4 Turn
Plumbing System Requirements:	Suitable for all plumbing systems
Minimum Dynamic Pressure (bar):	0.2 bar
Maximum Dynamic Pressure (bar):	5.0 bar
Maximum Hot Water Temperature °C:	60°C
Maximum Static Pressure (bar):	10 bar
Flow Type:	Single Flow
Isolation Included:	No

Dimensions (measurements in mm)



Flow Rates (l/min)

System Pressure (bar)	0.2	0.5	1	2	3	5
IRS BSM C (mixed)	13.8	23.8	34.5	48	60	77
IRS BSM C (handset)	4.4	7.6	11.2	17	21	27

TECHNICAL DATA SHEET



BRISTAN

D3