

# SM 1/2 C

## SMILE Tap Range Smile 1/2 Chrome Basin Taps Chrome



Specification	
Style:	Contemporary
Product Type:	Bathroom taps
Finish/Colour:	Chrome
Main Construction Material:	Brass
Mount Type:	Deck
Handle Type:	Paddle
Connection Inlet:	1/2" BSP
Number of Tap Holes Required:	2
Valve/Cartridge Type:	1/2" Ceramic Disc Valve
Plumbing System Suitability	All
Working Pressure Range:	0.2 - 5.0 Bar
Maximum Hot Water Temperature: °c	65
Maximum Dynamic Pressure: (bar)	5
Maximum Static Pressure: (bar)	10
Flow Type:	Single Flow
Flow Rate: (l/min @ 3 bar)	35.3
Connection Outlet:	M16 Aerator
Isolation Included:	No

### Features:

- Metal handles
- Chrome plates to BS EN 248

### Product Certifications:

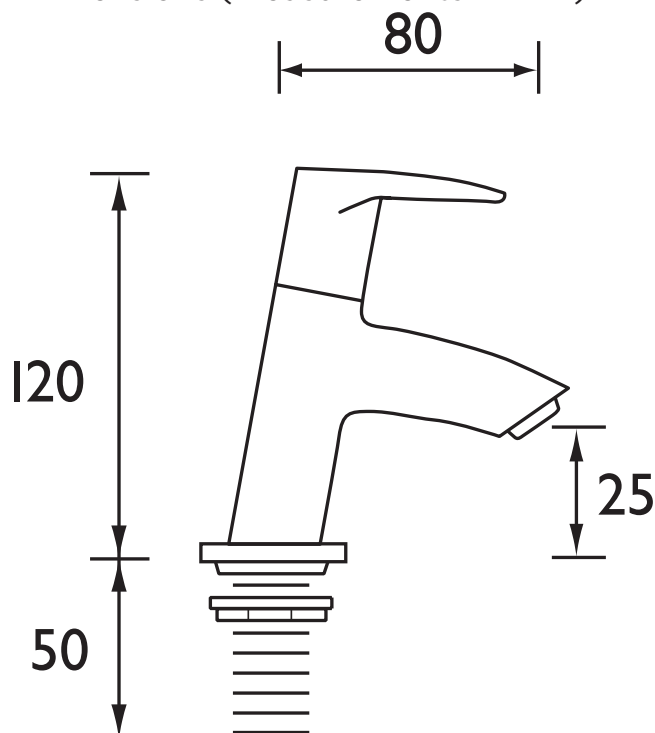
WRAS No: 1607001  
WRAS Expiry Date: 31/07/2021



For more products, visit our website:



### Dimensions (measurements in mm)



### Flow Rates (l/min)

System Pressure (bar)	0.2	0.5	1	2	3	5
SM 1/2 C	8.6	14.1	20.3	29.1	35.3	44.8

TECHNICAL  
DATA  
SHEET



**BRISTAN**  
TAPS & SHOWERS

D2