

MT753CP

GUM Shower Range 22mm Thermostatic Mixing Valve



Features:

- High and low pressure bath fill applications
- Part G compliant
- Automatic shutoff in the event of hot or cold water supply failure
- Check valves and serviceable filters as standard

Product Certifications:

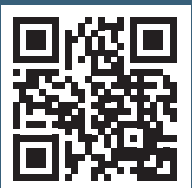


WRAS Certificate No: 2011903
WRAS Expiry Date: 30/11/2025



TMV3 Number: NSF2257/0521
TMV3 Expiry Date: 13/05/2026

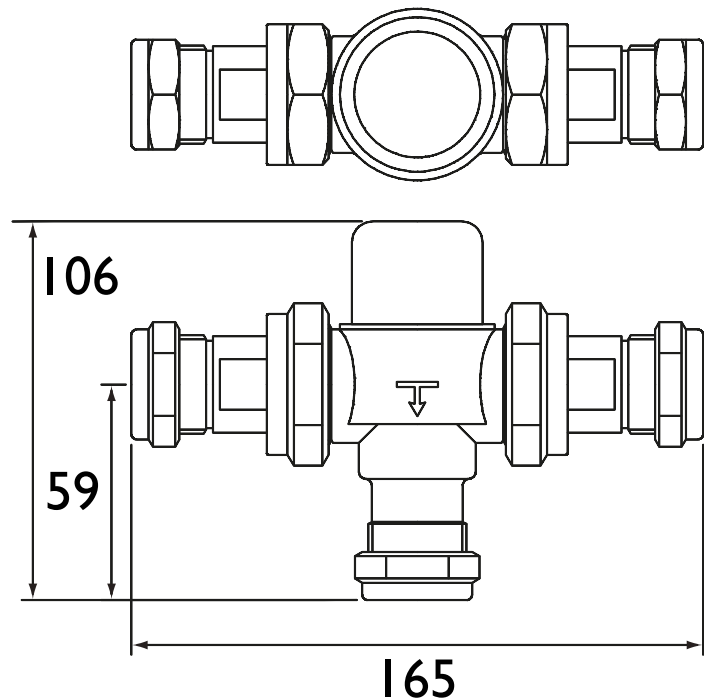
For more products, visit our website:
<http://www.bristan.com>



Specification

Style:	Utility
Main Construction Material:	Brass
Shower Type:	Thermostatic Mixing Valve
Valve/Cartridge Type:	Thermostatic
Maximum Hot Water Supply Temperature °C:	80
Dynamic Pressure Range: (bar)	5
Maximum Static Pressure: (bar)	10
Plumbing System Suitability:	All Preferably Balanced
Minimum Dynamic Pressure:	0.2 bar
Maximum Dynamic Pressure:	5.0 bar
Connection Inlet:	22mm
Connection Outlet:	22mm
Isolation Valve Included:	No
Check Valve Included:	Yes

Dimensions (measurements in mm)



Flow Rates (l/min)

System Pressure (bar)	0.2	0.5	1	2	3	5
Open Outlet	17	28	42	59	73	95

TECHNICAL
DATA
SHEET



BRISTAN

D10