

SM 3/4 C

SMILE Tap Range Smile Bath Taps Chrome



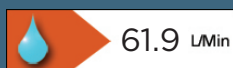
Specification	
Style:	Contemporary
Product Type:	Bathroom taps
Finish/Colour:	Chrome
Main Construction Material:	Brass
Mount Type:	Deck
Handle Type:	Paddle
Connection Inlet:	3/4" BSP
Number of Tap Holes Required:	2
Valve/Cartridge Type:	3/4" Ceramic Disc Valve
Plumbing System Suitability	All
Working Pressure Range:	Min. 0.2 bar - Max. 5 bar
Maximum Hot Water Temperature: °c	65
Maximum Dynamic Pressure: (bar)	5
Maximum Static Pressure: (bar)	10
Flow Type:	Single flow
Flow Rate: (l/min @ 3 bar)	61.9
Connection Outlet:	M20 Flow Straightener
Isolation Included:	No

Features:

- Metal handles
- Chrome handles

Product Certifications:

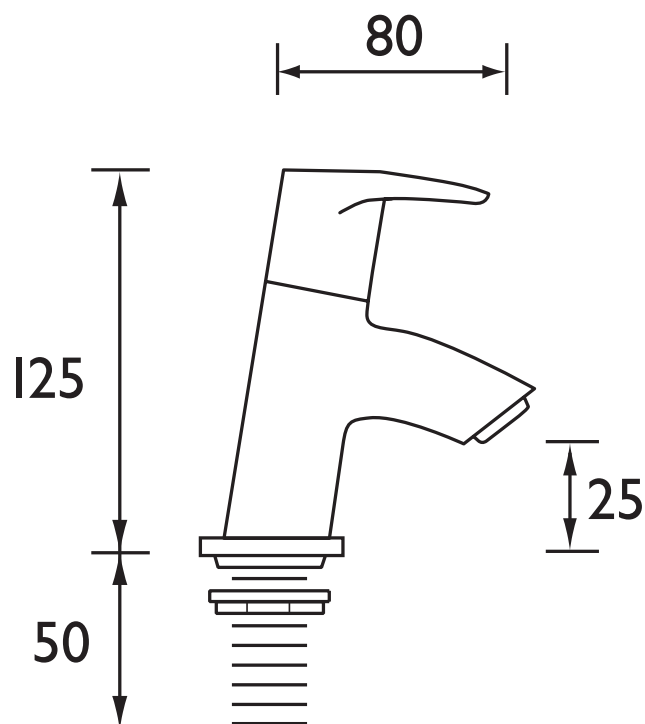
WRAS No: 1607001
WRAS Expiry Date: 31/07/2021



For more products, visit our website:



Dimensions (measurements in mm)



Flow Rates (l/min)

System Pressure (bar)	0.2	0.5	1	2	3	5
SM 3/4 C	9.9	25.3	36.2	51.1	61.9	103.2

TECHNICAL
DATA
SHEET



BRISTAN
TAPS & SHOWERS

D2