

# SM SMBAS C

## SMILE Tap Range Smile Small Basin Mixer Chrome



### Specification

<b>Product Type:</b>	Bathroom Tap
<b>Main Construction Material:</b>	Brass
<b>Mount Type:</b>	Deck Mounted
<b>Handle Type:</b>	Lever Handle
<b>Connection Inlet:</b>	1/2" BSP Flexible Tails
<b>Connection Outlet:</b>	N/A
<b>Number of Tap Holes:</b>	1
<b>Valve/Cartridge Type:</b>	25mm Cartridge
<b>Plumbing System Requirements:</b>	All - Ideally Balanced
<b>Working Pressure Range:</b>	Min. 0.3 Bar, Max. 5.0Bar
<b>Maximum Hot Water Temperature: °C</b>	65
<b>Maximum Static Pressure: (bar)</b>	10
<b>Flow Type:</b>	Single Flow
<b>Isolation Included:</b>	No

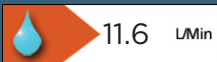
### Features:

- Long life ceramic cartridge for added durability and ease of use
- Metal fixing nut for added durability
- Flexible tails included

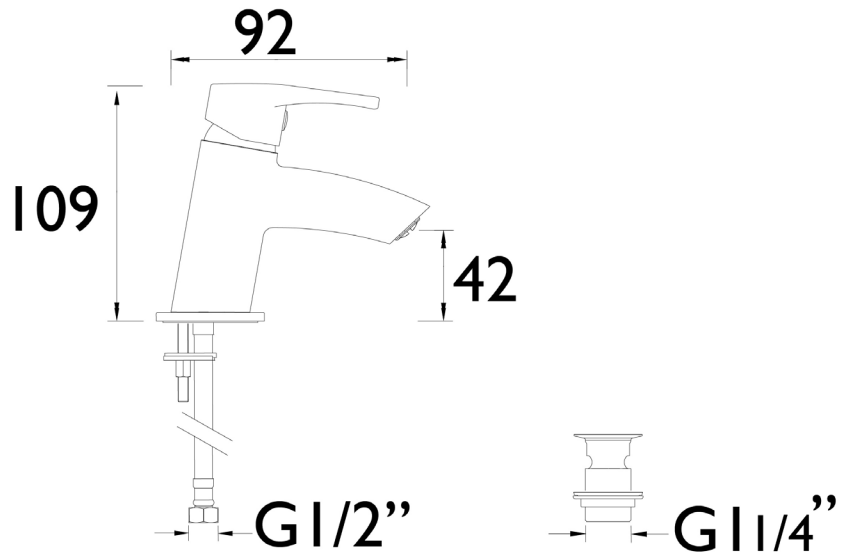
### Product Certifications:



WRAS Cert. Number: 1611003  
WRAS Expiry Date: 30/11/2021



### Dimensions (measurements in mm)



### Flow Rates (l/min)

System Pressure (bar)	0.2	0.5	1	2	3	5
SM SMBAS C	--	4.7	6.7	9.5	11.6	15

For more products, visit our website:  
<http://www.bristan.com>



## TECHNICAL DATA SHEET

