

QST 3/4 C

QUEST Tap Range Quest Bath Taps Chrome



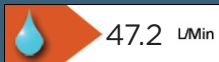
Features:

- Long life and easy to use 1/4 turn ceramic disc valves
- Metal back nuts for added durability
- Easy to use metal handles

Product Certifications:



WRAS Cert. Number: 1703001
WRAS Expiry Date: 30/03/2022



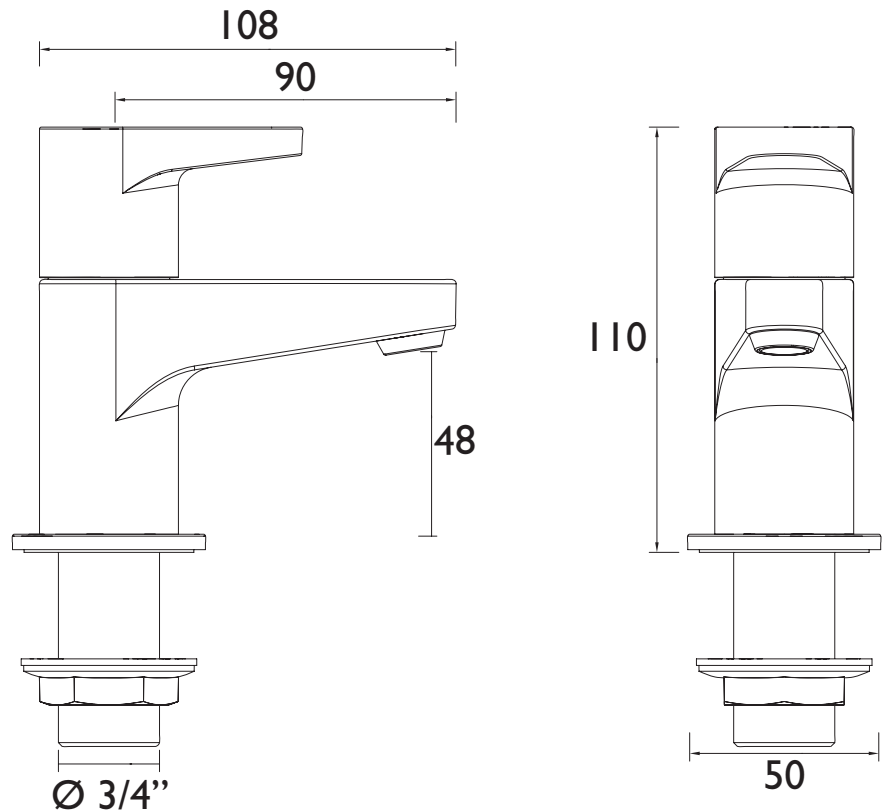
For more products, visit our website:
<http://www.bristan.com>



Specification

Product Type:	Bathroom Taps
Main Construction Material:	Brass
Mount Type:	Deck Mounted
Handle Type:	Paddle
Connection Inlet:	3/4" BSP
Number of Tap Holes:	2
Valve/Cartridge Type:	3/4" Ceramic Disc Valves
Plumbing System Requirements:	All - Ideally Balanced
Working Pressure Range:	Min. 0.2 Bar, Max. 8.0 Bar
Maximum Hot Water Temperature: °C	65
Maximum Static Pressure: (bar)	10
Flow Type:	Single Flow
Isolation Included:	No

Dimensions (measurements in mm)



Flow Rates (l/min)

System Pressure (bar)	0.2	0.5	1	2	3	5
QST 3/4 C	11.5	19.3	27.2	38.5	47.2	60.9

TECHNICAL DATA SHEET



BRISTAN

TAPS & SHOWERS

D8